

14



**NALDONI
E BIONDI**

COMPONENTI PER CILINDRI OLEODINAMICI
COMPONENTS FOR OIL HYDRAULIC CYLINDERS
KOMPONENTEN FÜR HYDRAULIKZYLINDER
COMPOSANTS POUR VÉRINS HYDRAULIQUES
COMPONENTES PARA CILINDROS OLEODINÁMICOS



INDICE
INDEX INHALTSVERZEICHNIS
INDEX ÍNDICE

COMPONENTI PER CILINDRI OLEODINAMICI
COMPONENTS FOR OIL HYDRAULIC CYLINDERS **KOMPONENTEN FÜR HYDRAULIKZYLINDER**
COMPOSANTS POUR VÉRINS HYDRAULIQUES **COMPONENTES PARA CILINDROS OLEODINÁMICOS**

04 - 09	TESTATE - HEADS - KÖPFE - TÊTES - CABEZAS
10 - 17	PISTONI - PISTONS - KOLBEN - PISTONS - PISTONES
13	CHIAVI PER PISTONE FILETTATO AUTOBLOCCANTE - WRENCHES FOR SELF-LOCKING THREAD. PISTON SCHLÜSSEL FÜR SELBSTSPER. GEWINDEKOLBEN - CLÉS POUR PISTON FILETÉ AUTOBLOQUANT LLAVES PARA PISTÓN ROSCADO AUTOBLOCANT
14	CHIAVI PER PISTONE FILETTATO AUTOBLOCCANTE PDH - WRENCHES FOR SELF-LOCKING THREAD. PISTON PDH SCHLÜSSEL FÜR SELBSTSPER. GEWINDEKOLBEN PDH - CLÉS POUR PISTON FILETÉ AUTOBLOQUANT PDH LLAVES PARA PISTÓN ROSCADO AUTOBLOCANT PDH
18 - 22	FONDELLI - END PLUGS - ZYLINDERBÖDEN - FONDS - FONDOS
23	FORCELE - FORKS - GABELN - CHAPES - HORQUILLAS
24	TERMINALI FISSI - FIX TERMINALS - FESTE ZYLINDERENDE - TERMINAUX FIXES - TERMINALES FIJOS
25	ANELLI GE - GE RINGS - GE-RINGE - ANNEAUX GE - ANILLOS GE
25 - 27	BOCCOLE - BUSHES - BUCHSEN - BAGUES - BUJES
27	BASI OSCILLANTI - SWINGING ENDS - SCHWINGENDE ENDEN - BASES OSCILLANTES - BASES OSCILANTES
28	COLLARI BASCULANTI CON PERNI - TILTING COLLARS WITH PINS - SCHWENKBARE RINGE MIT STIFTEN TOURILLONS OSCILLANTS AVEC PIVOTS - ABRAZADERAS BASCULANTES CON PERNOS
29	FLANGE - FLANGES - FLANSCHEN - FLASQUES - BRIDAS
30 - 32	BORCHIA - PORT - ANSCHLUSS - BOSSAGE - ROSCA
32	TAPPI DI PROTEZIONE - PROTECTION CAPS - SCHUTZKAPPEN - BOUCHONS DE PROTECTION TAPONES DE PROTECCIÓN
33	DADI AUTOBLOCCANTI - SELF-LOCKING NUTS - SELBSTSPERRENDE MÜTTER ÉCROUS AUTOBLOQUANTS TUERCAS AUTOBLOCANTES

COMPONENTI PER SISTEMA AUTOFRENANTE
COMPONENTS FOR CUSHIONING SYSTEM **KOMPONENTEN FÜR SELBSTBREMSSENDES SYSTEM**
COMPOSANTS POUR SYSTÈME AUTO-FREINANT **COMPONENTES PARA SISTEMA AUTOFRENANTE**

38	TESTATE - HEADS - KÖPFE - TÊTES - CABEZAS
38	PISTONI - PISTONS - KOLBEN - PISTONS - PISTONES
39	CHIAVI PER PISTONE FRENANTE AUTOBLOCCANTE - WRENCHES FOR SELF-LOCKING CUSHIONING PISTON SCHLÜSSEL FÜR SELBSTSPER. BREMSKOLBEN - CLÉS POUR PISTON FREINANT AUTOBLOQUANT LLAVES PARA PISTÓN FRENANTE AUTOBLOCANT
39	FONDELLI - END PLUGS - ZYLINDERBÖDEN - FONDS - FONDOS



COMPONENTI PER CILINDRI OLEODINAMICI IN ACCIAIO INOX AISI 316L
AISI 316 L-TYPE STAINLESS STEEL COMPONENTS FOR OIL HYDRAULIC CYLINDERS
KOMPONENTEN FÜR HYDRAULIKZYLINDER AUS EDELSTAHL AISI 316 L
COMPOSANTS POUR VÉRINS HYDRAULIQUES EN ACIER INOX AISI 316L
COMPONENTES PARA CILINDROS OLEODINÁMICOS DE ACERO INOX AISI 316L

42	TESTATE - HEADS - KÖPFE - TÊTES - CABEZAS
42 - 43	FONDELLI - END PLUGS - ZYLINDERBÖDEN - FONDS - FONDOS
43	BOCCOLE - BUSHES - BUCHSEN - BAGUES - BUJES
44	FORCELLE - FORKS - GABELN - CHAPES - HORQUILLAS
45	TERMINALI FISSI - FIX TERMINALS - FESTE ZYLINDERENDE - TERMINAUX FIXES - TERMINALES FIJOS
45	BORCHIA - PORT - ANSCHLUSS - BOSSAGE - ROSCA

COMPONENTI IN KIT
KIT COMPONENTS BAUSATZKOMPONENTEN
COMPOSANTS EN KIT COMPONENTES EN KIT

48 - 49	COMPONENTI IN KIT - KIT COMPONENTS - BAUSATZKOMPONENTEN - COMPOSANTS EN KIT - COMPONENTES EN KIT
---------	--

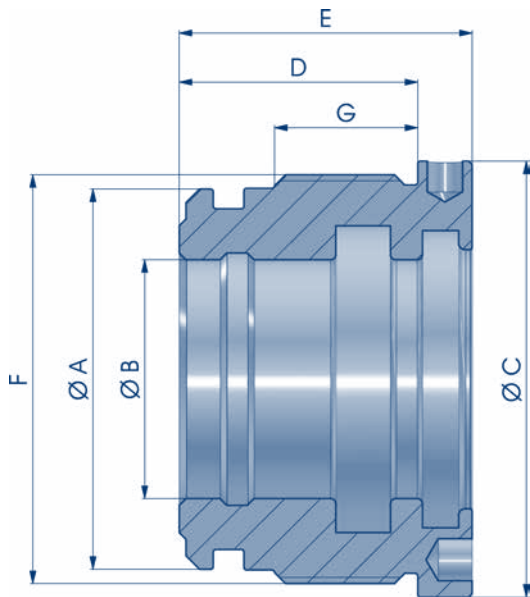
INFORMAZIONI TECNICHE
TECHNICAL DATA TECHNISCHE DATEN
INFORMATIONS TECHNIQUES DATOS TÉCNICOS

52	VALORI DI SERRAGGIO PISTONI AUTOBLOCCANTI - SELF-LOCKING PISTONS TORQUE SETTINGS ANZUGSMOMENTE FÜR SELBSTSPERRENDE KOLBEN - COUPLES DE SERRAGE POUR PISTONS AUTOBLOQUANTS VALORES DE PAR DE APRIETE PARA PISTÓNOS AUTOBLOCANTS
----	--





TESTATA
HEAD KOPF
TÊTE CABEZA



NEW	COD.	A	B	C	D	E	F	G
	NBT003502516*	25	16	35	12	30	M28X1.5	12
	NBT004003016*	30	16	40	27	33	M34X1.5	15
	NBT04003016G	30	16	40	27	33	M34X1.5	15
	NBT004203216	32	16	42	27	33	M36X1.5	15
	NBT004203220	32	20	42	27	33	M36X1.5	15
	NBT004503520	35	20	44	32	40	M39X1.5	19
	NBT004503522	35	22	44	32	40	M39X1.5	19
	NBT005004020	40	20	49	32	40	M44X1.5	19
	NBT005004022	40	22	49	32	40	M44X1.5	19
	NBT005004025	40	25	49	32	40	M44X1.5	19
	NBT005004028	40	28	49	32	40	M44X1.5	19
	NBT005504520	45	20	54	32	40	M49X1.5	19
	NBT005504522	45	22	54	32	40	M49X1.5	19
	NBT005504525	45	25	54	32	40	M49X1.5	19
	NBT006005020	50	20	59	35	43	M54X1.5	22
	NBT006005025	50	25	59	35	43	M54X1.5	22
	NBT006005028	50	28	59	35	43	M54X1.5	22
	NBT006005030	50	30	59	35	43	M54X1.5	22
	NBT006005032	50	32	59	35	43	M54X1.5	22
	NBT006005035	50	35	59	35	43	M54X1.5	22
	• NBT006005036	50	36	59	35	43	M54X1.5	22
	NBT006505525	55	25	64	35	43	M60X1.5	21
	NBT006505530	55	30	64	35	43	M60X1.5	21
	NBT006505535	55	35	64	35	43	M60X1.5	21
	NBT007006025	60	25	69	40	50	M64X1.5	27
	NBT007006028	60	28	69	40	50	M64X1.5	27
	NBT007006030	60	30	69	40	50	M64X1.5	27
	NBT007006032	60	32	69	40	50	M64X1.5	27
	NBT007006035	60	35	69	40	50	M64X1.5	27
	NBT007006036	60	36	69	40	50	M64X1.5	27
	NBT007006040	60	40	69	40	50	M64X1.5	27
	NBT007306330	63	30	73	40	50	M68X1.5	25
	NBT007306332	63	32	73	40	50	M68X1.5	25
	NBT007306335	63	35	73	40	50	M68X1.5	25
	NBT007306336	63	36	73	40	50	M68X1.5	25
	NBT007306340	63	40	73	40	50	M68X1.5	25
	• NBT007306345	63	45	73	40	50	M68X1.5	25
	NBT007506530	65	30	74	40	50	M69X1.5	25
	NBT007506532	65	32	74	40	50	M69X1.5	25
	NBT007506535	65	35	74	40	50	M69X1.5	25
	NBT007506536	65	36	74	40	50	M69X1.5	25
	NBT007506540	65	40	74	40	50	M69X1.5	25
	NBT007506545	65	45	74	40	50	M69X1.5	25
	NBT008007025	70	25	79	40	50	M74X1.5	27
	NBT008007030	70	30	79	40	50	M74X1.5	27
	NBT008007032	70	32	79	40	50	M74X1.5	27
	NBT008007035	70	35	79	40	50	M74X1.5	27
	NBT008007036	70	36	79	40	50	M74X1.5	27
	NBT008007040	70	40	79	40	50	M74X1.5	27
	NBT008007045	70	45	79	40	50	M74X1.5	27
	NBT008007050	70	50	79	40	50	M74X1.5	27
	NBT009007530	75	30	89	50	60	M80X2	33
	NBT009007535	75	35	89	50	60	M80X2	33
	NBT009007540	75	40	89	50	60	M80X2	33
	NBT009007545	75	45	89	50	60	M80X2	33
	NBT009008030	80	30	89	50	60	M84x1.5	33

Materiale di produzione : Ghisa GG 25
Production material : Cast iron GG 25
Werkstoff : Gusseisen GG 25
Matériel de production : Fonte grise GG 25
Material de fabricación : Hierro fundido GG 25

Materiale di produzione *: Alluminio
Production material *: Aluminium
Werkstoff *: Aluminium
Matériel de production *: Aluminium
Material de fabricación *: Aluminio

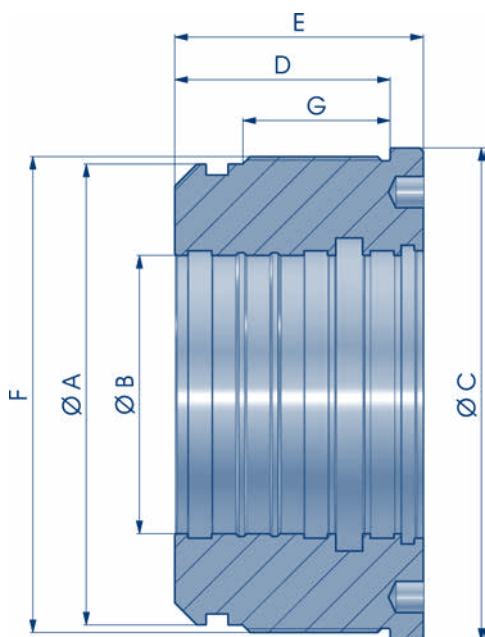


NEW	COD.	A	B	C	D	E	F	G
	NBT009008035	80	35	89	50	60	M84x1.5	33
	NBT009008040	80	40	89	50	60	M84x1.5	33
	NBT009008045	80	45	89	50	60	M84x1.5	33
	NBT009008050	80	50	89	50	60	M84x1.5	33
	NBT009208035	80	35	92	50	60	M85X2	33
	NBT009208040	80	40	92	50	60	M85X2	33
	NBT009208045	80	45	92	50	60	M85X2	33
	NBT009208050	80	50	92	50	60	M85X2	33
	NBT009208055	80	55	92	50	60	M85X2	33
	NBT009208056	80	56	92	50	60	M85X2	33
	NBT009208060	80	60	92	50	60	M85X2	33
	NBT009508030	80	30	94	50	60	M85X2	33
	NBT009508035	80	35	94	50	60	M85X2	33
•	NBT009508036	80	36	94	50	60	M85X2	33
	NBT009508040	80	40	94	50	60	M85X2	33
	NBT009508045	80	45	94	50	60	M85X2	33
	NBT009508050	80	50	94	50	60	M85X2	33
	NBT009508055	80	55	94	50	60	M85X2	33
	NBT009508056	80	56	94	50	60	M85X2	33
	NBT009508060	80	60	94	50	60	M85X2	33
	NBT010008535	85	35	99	50	60	M90X2	33
	NBT010008540	85	40	99	50	60	M90X2	33
	NBT010008545	85	45	99	50	60	M90X2	33
	NBT010008550	85	50	99	50	60	M90X2	33
	NBT010509040	90	40	104	50	60	M95X2	33
	NBT010509045	90	45	104	50	60	M95X2	33
	NBT010509050	90	50	104	50	60	M95X2	33
•	NBT010509056	90	56	104	50	60	M95X2	33
	NBT010509060	90	60	104	50	60	M95X2	33
	NBT011510040	100	40	114	70	82	M105X2	51
	NBT011510045	100	45	114	70	82	M105X2	51
	NBT011510050	100	50	114	70	82	M105X2	51
	NBT011510055	100	55	114	70	82	M105X2	51
	NBT011510056	100	56	114	70	82	M105X2	51
	NBT011510060	100	60	114	70	82	M105X2	51
	NBT011510063	100	63	114	70	82	M105X2	51
	NBT011510070	100	70	114	70	82	M105X2	51
	NBT012511045	110	45	124	60	72	M115X2	41
	NBT012511050	110	50	124	60	72	M115X2	41
	NBT012511060	110	60	124	70	82	M115X2	51
	NBT012511070	110	70	124	70	82	M115X2	51
	NBT014012050	120	50	139	70	82	M125X2	49
	NBT014012060	120	60	139	70	82	M125X2	49
	NBT014012070	120	70	139	70	82	M125X2	49
	NBT014012080	120	80	139	70	82	M125X2	49
	NBT014512555	125	55	144	80	92	M130X2	59
	NBT014512560	125	60	144	80	92	M130X2	59
	NBT014512563	125	63	144	80	92	M130X2	59
	NBT014512570	125	70	144	80	92	M130X2	59
	NBT014512580	125	80	144	80	92	M130X2	59
	NBT014512590	125	90	144	80	92	M130X2	59
	NBT016014070	140	70	159	80	92	M145X2	59
	NBT016014080	140	80	159	80	92	M145X2	59
	NBT016014090	140	90	159	80	92	M145X2	59
	NBT017015070	150	70	169	90	102	M155X2	69
	NBT017015080	150	80	169	90	102	M155X2	69

300 BAR
**250 BAR



TESTATA HEAD KOPF TÊTE CABEZA

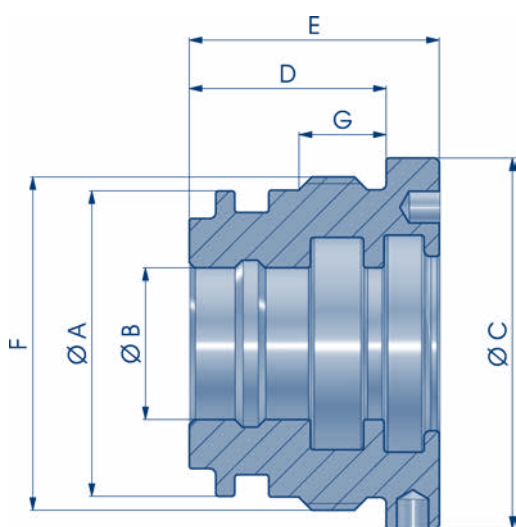


NEW	COD.	A	B	C	D	E	F	G
•	NBT018016070**	160	70	179	90	102	M165X2	69
	NBT018016080**	160	80	179	90	102	M165X2	69
	NBT018016090**	160	90	179	90	102	M165X2	69
	NBT180160110**	160	110	179	90	102	M165X2	69
•	NBT210180080	180	80	209	92	110	M188x2.5	58
•	NBT210180090	180	90	209	92	110	M188x2.5	58
	NBT210180100	180	100	209	92	110	M188X2.5	58
	NBT210180120	180	120	209	92	110	M188X2.5	58
	NBT220200090	200	90	219	92	110	M208X2.5	58
	NBT220200100	200	100	219	92	110	M208X2.5	58
	NBT220200120	200	120	219	92	110	M208X2.5	58
•	NBT220200140	200	140	219	92	110	M208X2.5	58
•	NBT250220100	220	100	249	104	122	M228X2.5	70
•	NBT250220110	220	110	249	104	122	M228X2.5	70
	NBT250220120	220	120	249	104	122	M228X2.5	70
	NBT250220150	220	150	249	104	122	M228X2.5	70
	NBT250220160	220	160	249	104	122	M228X2.5	70
	NBT270250120	250	120	268	117	135	M258X2.5	80
	NBT270250150	250	150	268	117	135	M258X2.5	80

200 BAR



TESTATA BASSA SHORT HEAD KLEINER KOPF TÊTE COMPACTE CABEZA CORTA

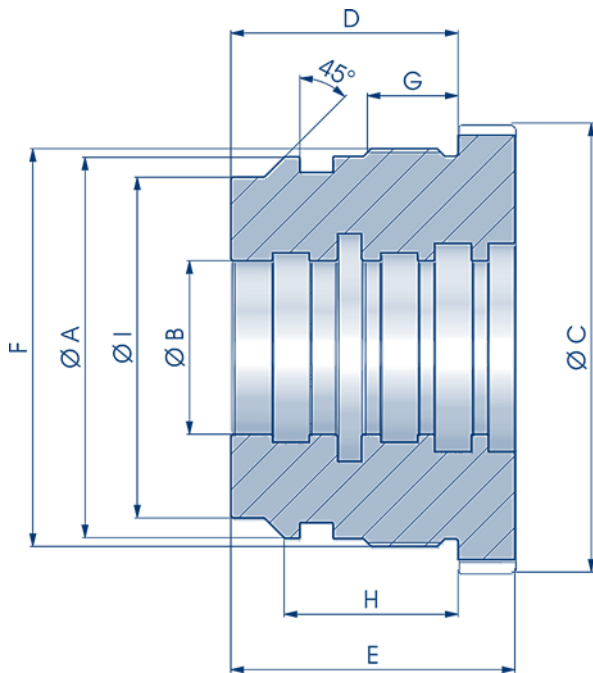


COD.	A	B	C	D	E	F	G
NBTB005004020	40	20	49	26	33	M44X1.5	11
NBTB005004025	40	25	49	26	33	M44X1.5	11
NBTB006005025	50	25	59	28	36	M54X1.5	13
NBTB006005030	50	30	59	28	36	M54X1.5	13
NBTB007006025	60	25	69	33	41	M64X1.5	16
NBTB007006030	60	30	69	33	41	M64X1.5	16
NBTB007006032	60	32	69	33	41	M64X1.5	16
NBTB007006035	60	35	69	33	41	M64X1.5	16
NBTB008007035	70	35	79	33	41	M74X1.5	16
NBTB008007040	70	40	79	33	41	M74X1.5	16
NBTB009208040	80	40	92	36	46	M85X2	18
NBTB009208050	80	50	92	36	46	M85X2	18
NBTB011510050	100	50	114	45	55	M105X2	22
NBTB011510060	100	60	114	45	55	M105X2	22

Materiale di produzione : Ghisa GG 25
Production material : Cast iron GG 25
Werkstoff : Gusseisen GG 25
Matériel de production : Fonte grise GG 25
Material de fabricación : Hierro fundido GG 25



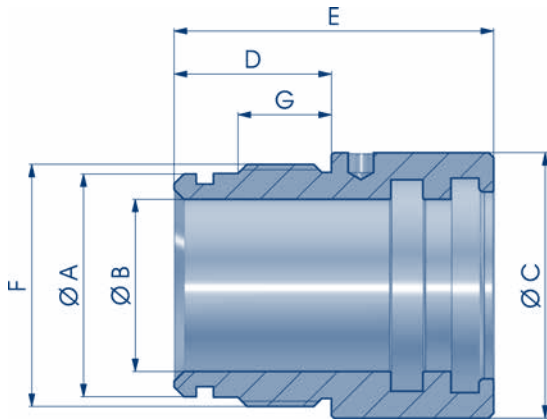
**TESTATA PESANTE
HEAVY HEAD SCHWERER KOPF
TÊTE LOURDE CABEZA PESADA**



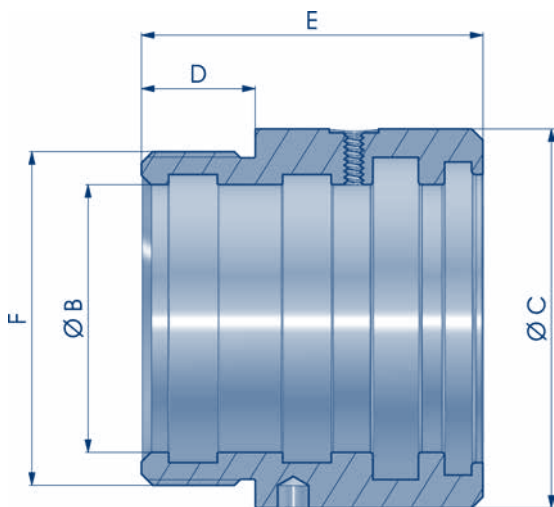
COD.	A	B	C	D	E	F	G	H	I
NBTP065050025	50	25	64	45	55	M54X1.5	22	38	45
NBTP065050030	50	30	64	45	55	M54X1.5	22	38	45
NBTP065050035	50	35	64	45	55	M54X1.5	22	38	45
NBTP075060030	60	30	74	48	60	M64X1.5	22	38	52
NBTP075060035	60	35	74	48	60	M64X1.5	22	38	52
NBTP075060040	60	40	74	48	60	M64X1.5	22	38	52
NBTP078063035	63	35	78	50	65	M68X1.5	22	40	53
NBTP078063040	63	40	78	50	65	M68X1.5	22	40	53
NBTP078063045	63	45	78	50	65	M68X1.5	22	40	53
NBTP085070040	70	40	84	50	65	M74X1.5	22	40	60
NBTP085070050	70	50	84	50	65	M74X1.5	22	40	60
NBTP100080045	80	45	94	60	75	M85X2	25	43	70
NBTP100080050	80	50	95	60	75	M85X2	25	43	70
NBTP110090040	90	40	109	60	75	M95X2	25	46	80
NBTP110090045	90	45	109	60	75	M95X2	25	46	80
NBTP110090050	90	50	109	60	75	M95X2	25	46	80
NBTP110090060	90	60	109	60	75	M95X2	25	46	80
NBTP120100045	100	45	119	60	75	M105X2	25	46	90
NBTP120100050	100	50	119	60	75	M105X2	25	46	90
NBTP120100056	100	56	119	60	75	M105X2	25	46	90
NBTP120100060	100	60	119	60	75	M105X2	25	46	90
NBTP120100063	100	63	119	60	75	M105X2	25	46	90
NBTP130110050	110	50	129	70	85	M115X2	30	52	100
NBTP130110056	110	56	129	70	85	M115X2	30	52	100
NBTP130110060	110	60	129	70	85	M115X2	30	52	100
NBTP130110063	110	63	129	70	85	M115X2	30	52	100
NBTP140120060	120	60	139	70	85	M125X2	31	52	110
NBTP140120070	120	70	139	70	85	M125X2	31	52	110
NBTP140120080	120	80	139	70	85	M125X2	31	52	110
NBTP145125050	125	50	144	75	90	M130X2	39	60	115
NBTP145125060	125	60	144	75	90	M130X2	39	60	115
NBTP145125070	125	70	144	75	90	M130X2	39	60	115
NBTP145125080	125	80	144	75	90	M130X2	39	60	115
NBTP145125090	125	90	144	75	90	M130X2	39	60	115
NBTP160140080	140	80	159	75	90	M145X2	40	61	130
NBTP160140090	140	90	159	75	90	M145X2	40	61	130
NBTP160140100	140	100	159	75	90	M145X2	40	61	130
NBTP170150080	150	80	169	85	100	M155X2	46	68	140
NBTP170150090	150	90	169	85	100	M155X2	46	68	140
NBTP170150100	150	100	169	85	100	M155X2	46	68	140
NBTP180160090	160	90	179	85	100	M165X2	46	68	150
NBTP180160100	160	100	179	85	100	M165X2	46	68	150
NBTP180160120	160	120	179	85	100	M165X2	46	68	150



TESTATA TUFFANTE
SUBMERGED HEAD PLUNGERKOPF
TÊTE POUR VÉRIN PLONGEUR CABEZA SUMERGIDA



COD.	A	B	C	D	E	F	G
NBTT00200300	30	20	40	27	57	M34X1.5	15
NBTT00250350	35	25	45	32	65	M39X1.5	19
NBTT00300400	40	30	50	32	65	M44X1.5	19
NBTT00350450	45	35	55	32	65	M49X1.5	19
NBTT00400500	50	40	60	35	70	M54X1.5	22
NBTT00450550	55	45	65	35	70	M60X1.5	22
NBTT00500600	60	50	70	40	75	M64X1.5	22
NBTT00600700	70	60	80	40	75	M74X1.5	27



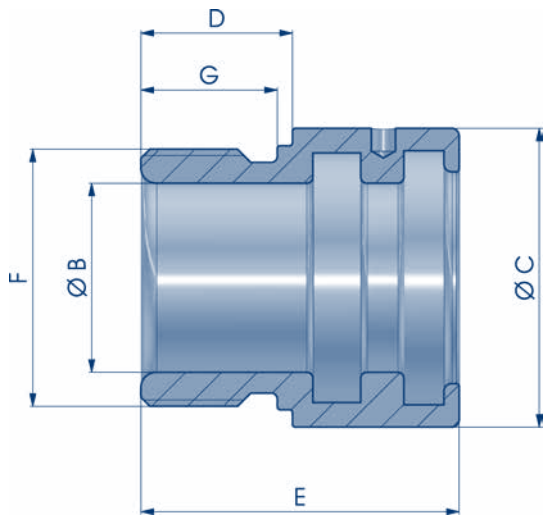
COD.	B	C	D	E	F
NBTT00700900*	70	100	30	90	M90X2
NBTT00800960*	80	107	40	95	M96X2
NBTT01001240*	100	138,5	42	157	M124X2

Materiale di produzione : Ghisa GG 25
 Production material : Cast iron GG 25
 Werkstoff : Gusseisen GG 25
 Matériel de production : Fonte grise GG 25
 Material de fabricación : Hierro fundido GG 25

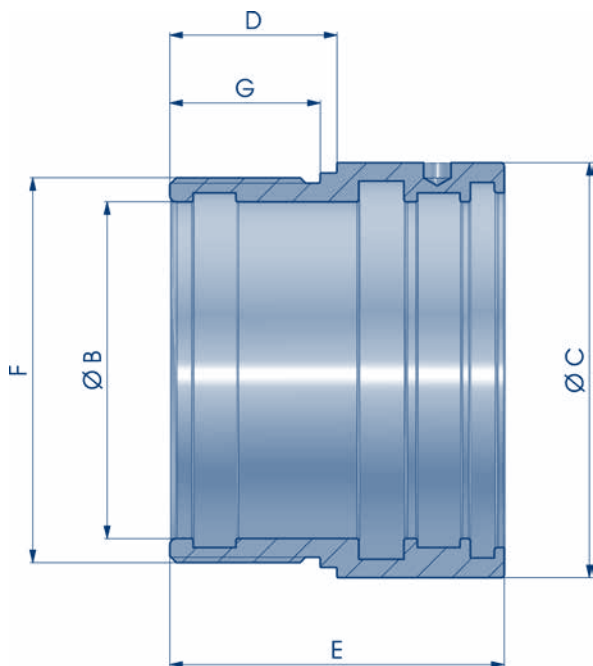
Materiale di produzione *: Acciaio S355JR
 Production material *: Steel S355JR
 Werkstoff *: Stahl S355JR
 Matériel de production *: Acier S355JR
 Material de fabricación *: Acero S355JR



TESTATA TUFFANTE TIPO "H"
SUBMERGED HEAD OF "H" TYPE **PLUNGERKOPF VOM TYP "H"**
TÊTE POUR VÉRIN PLONGEUR TYPE "H" **CABEZA SUMERGIDA DE TIPO "H"**



COD.	B	C	D	E	F	G
NBTTH0200300	20	40	20	42	M34X1.5	18
NBTTH0250300	25	40	20	42	M34X1.5	18
NBTTH0300400	30	50	21	46	M44X1.5	19
NBTTH0350400	35	50	21	46	M44X1.5	19
NBTTH0400500	40	60	30	59	M54X1.5	28
NBTTH0450500	45	60	30	59	M54X1.5	28
NBTTH0500600	50	70	30	60	M64X1.5	28
NBTTH0600700	60	80	30	60	M74X1.5	28



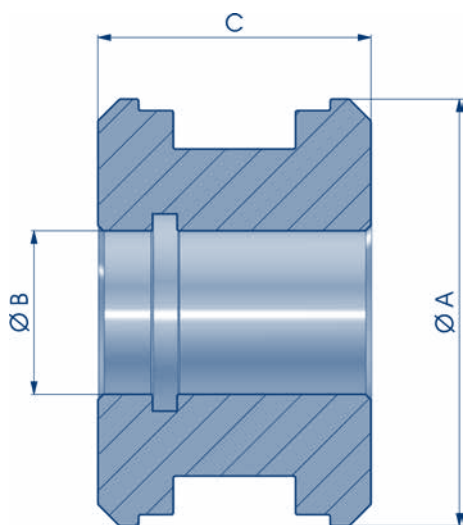
COD.	B	C	D	E	F	G
NBTTH0700800*	70	94	35	70	M85X2	32
NBTTH0800900*	80	104	40	80	M95X2	36
NBTTH9001000*	90	114	40	80	M105X2	36
NBTTH1001100*	100	124	50	100	M115X2	45

Materiale di produzione : Acciaio 11SMn30+NI-TEMPER
Production material : Steel 11SMn30+NI-TEMPER
Werkstoff : Stahl 11SMn30+NI-TEMPER
Matériel de production : Acier 11SMn30+NI-TEMPER
Material de fabricación : Acero 11SMn30+NI-TEMPER

Materiale di produzione*: Acciaio S355JR
Production material*: Steel S355JR
Werkstoff*: Stahl S355JR
Matériel de production*: Acier S355JR
Material de fabricación*: Acero S355JR



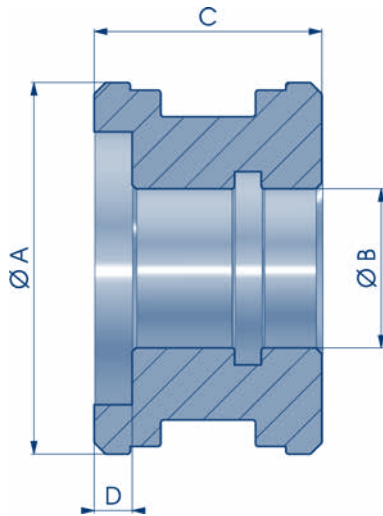
PISTONE
PISTON KOLBEN
PISTON PISTÓN



NEW	COD.	A	B	C
	NBP000030013	30	13	25
	NBP000032013	32	13	30
	NBP000032015	32	15	30
	NBP000035015	35	15	40
	NBP000040015	40	15	40
	NBP000045015	45	15	40
	NBP000050015	50	15	40
	NBP000050020	50	20	40
	NBP000050025	50	25	40
	NBP000055020	55	20	40
	NBP000060020	60	20	50
	• NBP000060020H40	60	20	40
	NBP000060024	60	24	45
	• NBP000060024H40	60	24	40
	NBP000060024H50	60	24	50
	NBP000060027	60	27	50
	• NBP000060027H40	60	27	40
	NBP000063020	63	20	50
	• NBP000063020H40	63	20	40
	NBP000063024	63	24	45
	• NBP000063024H40	63	24	40
	NBP000063024H50	63	24	50
	NBP000063027	63	27	50
	• NBP000063027H40	63	27	40
	NBP000065020	65	20	50
	• NBP000065020H40	65	20	40
	NBP000065024	65	24	45
	• NBP000065024H40	65	24	40
	NBP000065024H50	65	24	50
	NBP000065027	65	27	50
	• NBP000065027H40	65	27	40
	NBP000070020	70	20	50
	NBP000070024	70	24	45
	NBP000070024H50	70	24	50
	NBP000070027	70	27	50
	NBP000075024	75	24	45
	NBP000075024H50	75	24	50
	NBP000075027	75	27	50
	NBP000080024	80	24	45
	NBP000080024H50	80	24	50
	NBP000080027	80	27	50
	NBP000080030	80	30	50
	NBP000085024	85	24	45
	NBP000085024H50	85	24	50
	NBP000085027	85	27	50
	NBP000090027	90	27	50
	NBP000090033	90	33	50
	NBP000100027	100	27	50
	NBP000100033	100	33	50
	NBP000110033	110	33	50
	NBP000110040	110	40	50
	NBP000120040	120	40	50
	NBP000125040	125	40	50
	NBP000140040	140	40	58
	NBP000150040	150	40	58
	NBP000160051	160	51	58



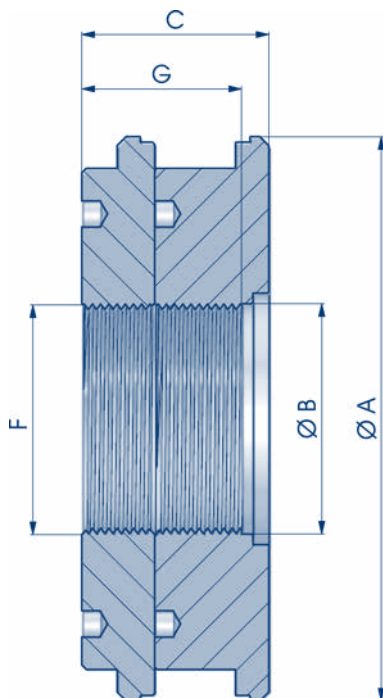
PISTONE BASSO
LOW PISTON UNTERER KOLBEN
PISTON COURT PISTÓN CORTO



COD.	A	B	C	D
NBPB00040015	40	15	27	5
NBPB00050021	50	21	30	5
NBPB00060025	60	25	35	5
NBPB00063025	63	25	35	5
NBPB00065025	65	25	35	5
NBPB00070025	70	25	35	5
NBPB00080028	80	28	40	6
NBPB00090035	90	35	40	6
NBPB00100035	100	35	40	6



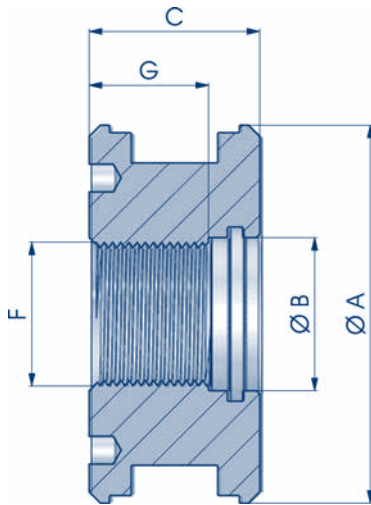
PISTONE FILETTATO IN DUE PARTI
TWO PARTS THREADED PISTON ZWEIFTEILIGER KOLBEN MIT GEWINDE
PISTON FILETÉ EN DEUX PARTIES PISTÓN ROSCADO DE DOS PARTES



COD.	A	B	C	F	G
NBP000180080	180	82.1	82	M80X2	70
NBP000200080	200	82.1	82	M80X2	70
NBP000220098	220	101.1	82	M98X2	70
NBP000250098	250	101.1	82	M98X2	70



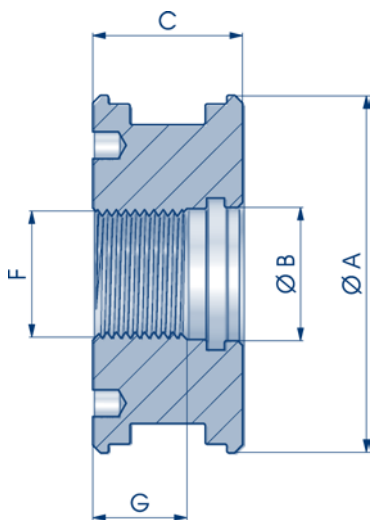
PISTONE FILETTATO
THREADED PISTON KOLBEN MIT GEWINDE
PISTON FILETÉ PISTÓN ROSCADO



NEW	COD.	A	B	C	F	G
	NBPF00251015	25	11	25	M10X1.5	17.5
	NBPF00301215	30	13	25	M12X1.5	17.5
	NBPF00321215	32	13	33	M12X1.5	25.5
	NBPF00351415	35	17	33	M14X1.5	23
	NBPF00401615	40	17	40	M16X1.5	30
	NBPF00502015	50	21	40	M20X1.5	28
	NBPF00602420	60	25	45	M24X2	30
	NBPF00632420	63	25	45	M24X2	30
	NBPF00652420	65	25	45	M24X2	30
	NBPF00702420	70	25	45	M24X2	30
	• NBPF00752720	75	28	45	M27X2	30
	NBPF00802720	80	28	45	M27X2	30
	NBPF00803020	80	33	45	M30X2	30
	NBPF00903320	90	35	50	M33X2	35
	NBPF01003320	100	35	50	M33X2	35
	NBPF01103930	110	42	50	M39X3	35
	NBPF01204230	120	45	50	M42X3	35
	NBPF01254230	125	45	50	M42X3	35
	NBPF01404830	140	51	58	M48X3	40
	NBPF01504830	150	51	58	M48X3	40
	NBPF01505230	150	54	58	M52X3	40
	NBPF01605230	160	54	58	M52X3	40



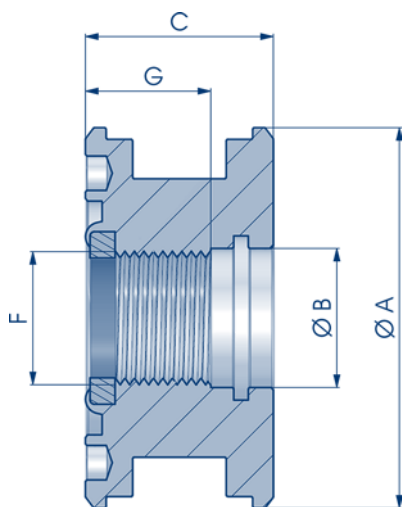
PISTONE FILETTATO BASSO
LOW THREADED PISTON UNTERER KOLBEN MIT GEWINDE
PISTON COURT FILETÉ PISTÓN ROSCADO CORTO



NEW	COD.	A	B	C	F	G
	NBPBF0040M16*	40	17	27	M16X1.5	19
	NBPBF0050M20*	50	21	30	M20X1.5	21
	NBPBF0060M24*	60	25	35	M24X2	24
	NBPBF0063M24*	63	25	35	M24X2	24
	NBPBF0065M24*	65	25	35	M24X2	24
	NBPBF0070M24*	70	25	35	M24X2	24
	• NBPBF0075M27*	75	28	40	M27X2	26
	NBPBF0080M27*	80	28	40	M27X2	26
	NBPBF0090M33*	90	35	40	M33X2	26
	NBPBF0100M33*	100	35	40	M33X2	26



PISTONE FILETTATO AUTOBLOCCANTE
SELF-LOCKING THREADED PISTON SELBSTSPERRENDER KOLBEN MIT GEWINDE
PISTON FILETÉ AUTOBLOQUANT PISTÓN ROSCADO AUTOBLOCANT

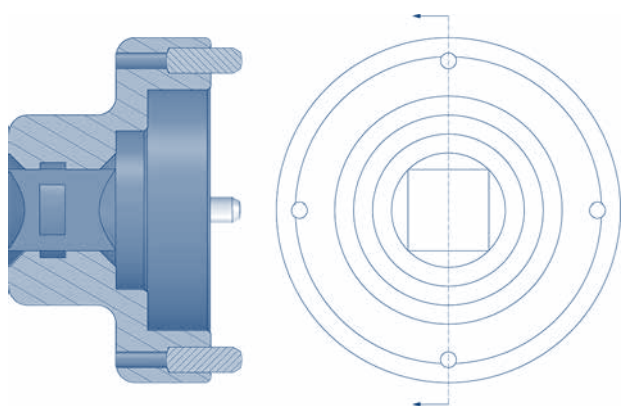


Italian patent pending

NEW	COD.	A	B	C	F	G
	NBPF0351415B	35	17	33	M14X1.5	23
	NBPF0401615B	40	17	40	M16X1.5	30
	NBPF0502015B	50	21	40	M20X1.5	28
	NBPF0602420B	60	25	45	M24X2	30
	NBPF0632420B	63	25	45	M24X2	30
	NBPF0652420B	65	25	45	M24X2	30
	NBPF0702420B	70	25	45	M24X2	30
•	NBPF0752720B	75	28	45	M27X2	30
	NBPF0802720B	80	28	45	M27X2	30
	NBPF0803020B	80	33	45	M30X2	30
	NBPF0903320B	90	35	50	M33X2	35
	NBPF1003320B	100	35	50	M33X2	35



CHIAVE PER PISTONE FILETTATO AUTOBLOCCANTE
WRENCH FOR SELF-LOCKING THREAD. PISTON SCHLÜSSEL FÜR SELBSTSPER. GEWINDEKOLBEN
CLÉ POUR PISTON FILETÉ AUTOBLOQUANT LLAVE PARA PISTÓN ROSCADO AUTOBLOCANT

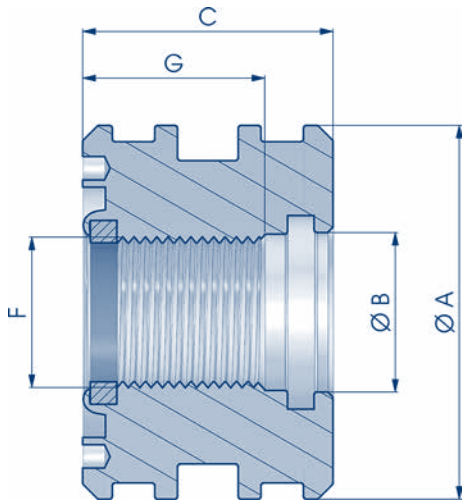


NEW	COD. CHIAVE WRENCH CODE SCHLÜSSEL-CODE CODE CLÉ CÓD. LLAVE	COD. PISTONE PISTON CODE KOLBEN-CODE CODE PISTON CÓD. PISTÓN
•	NBPF0351415B	NBCHPF000M14
•	NBPF0401615B	NBCHPF000M16
•	NBPF0502015B	NBCHPF000M20
•	NBPF0602420B	NBCHPF000M24
•	NBPF0632420B	NBCHPF000M24
•	NBPF0652420B	NBCHPF000M24
•	NBPF0702420B	NBCHPF000M24
•	NBPF0802720B	NBCHPFM27M30
•	NBPF0803020B	NBCHPFM27M30
•	NBPF0903320B	NBCHPF000M33
•	NBPF1003320B	NBCHPF000M33



PISTONE FILETTATO AUTOBLOCCANTE PER PDH

SELF-LOCKING THREADED PISTON FOR PDH SELBSTSPERRENDE GEWINDEKOLBEN FÜR PDH
PISTON FILETÉ AUTOBLOQUANT POUR PDH PISTÓN ROSCADO AUTOBLOCANT PARA PDH



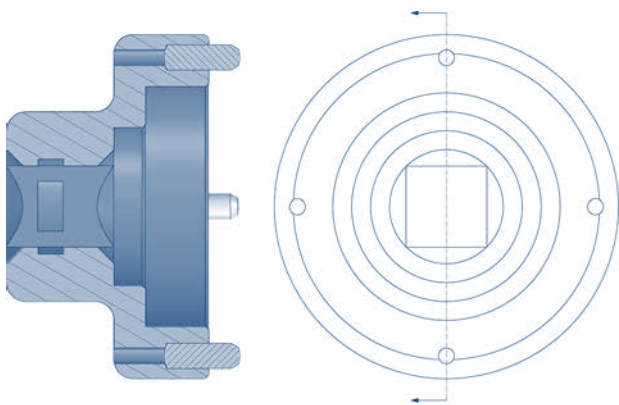
Italian patent pending

NEW	COD.	A	B	C	F	G
•	NBPFPDH04016B	40	17	33	M16X1.5	24
•	NBPFPDH05020B	50	21	33	M20X1.5	24
•	NBPFPDH06024B	60	25	38	M24X1.5	28
•	NBPFPDH06324B	63	25	38	M24X1.5	28
•	NBPFPDH06524B	65	25	38	M24X1.5	28
•	NBPFPDH07024B	70	25	38	M24X1.5	28
•	NBPFPDH08030B	80	33	42	M30X1.5	30
•	NBPFPDH09033B	90	35	45	M33X1.5	33
•	NBPFPDH10033B	100	35	45	M33X1.5	33



CHIAVE PER PISTONE FILETTATO AUTOBLOCCANTE PDH

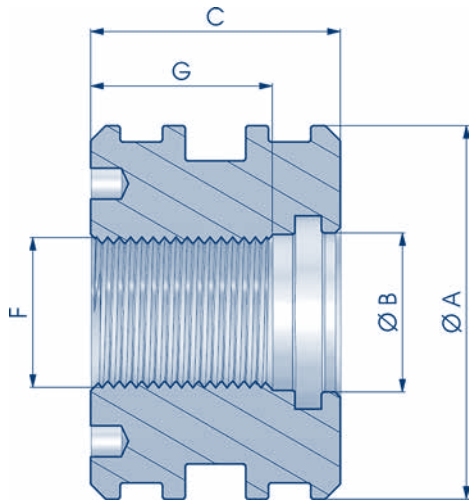
WRENCH FOR SELF-LOCKING THREAD. PISTON PDH SCHLÜSSEL FÜR SELBSTSPER. GEWINDEKOLBEN PDH
CLÉ POUR PISTON FILETÉ AUTOBLOQUANT PDH LLAVE PARA PISTÓN ROSCADO AUTOBLOCANT PDH



NEW	COD. CHIAVE WRENCH CODE SCHLÜSSEL-CODE CODE CLÉ CÓD. LLAVE	COD. PISTONE PISTON CODE KOLBEN-CODE CODE PISTON CÓD. PISTÓN
•	NBPFPDH04016B	NBCHPF000M16
•	NBPFPDH05020B	NBCHPF000M20
•	NBPFPDH06024B	NBCHPF000M24
•	NBPFPDH06324B	NBCHPF000M24
•	NBPFPDH06524B	NBCHPF000M24
•	NBPFPDH07024B	NBCHPF000M24
•	NBPFPDH08030B	NBCHPFM27M30
•	NBPFPDH09033B	NBCHPF000M33
•	NBPFPDH10033B	NBCHPF000M33



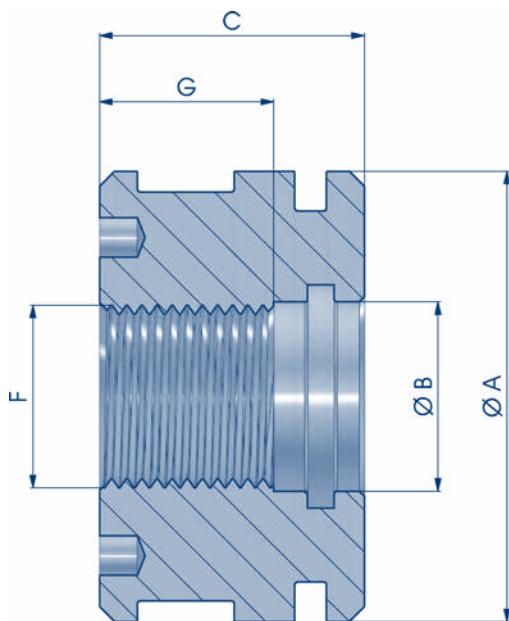
PISTONE FILETTATO PER PDH
THREADED PISTON FOR PDH GEWINDEKOLBEN FÜR PDH
PISTON FILETÉ POUR PDH PISTÓN ROSCADO PARA PDH



NEW	COD.	A	B	C	F	G
•	NBPFPDH04016	40	17	33	M16X1.5	24
•	NBPFPDH05020	50	21	33	M20X1.5	24
•	NBPFPDH06024	60	25	38	M24X1.5	28
•	NBPFPDH06324	63	25	38	M24X1.5	28
•	NBPFPDH06524	65	25	38	M24X1.5	28
•	NBPFPDH07024	70	25	38	M24X1.5	28
•	NBPFPDH08030	80	33	42	M30X1.5	30
•	NBPFPDH09033	90	35	45	M33X1.5	33
•	NBPFPDH10033	100	35	45	M33X1.5	33



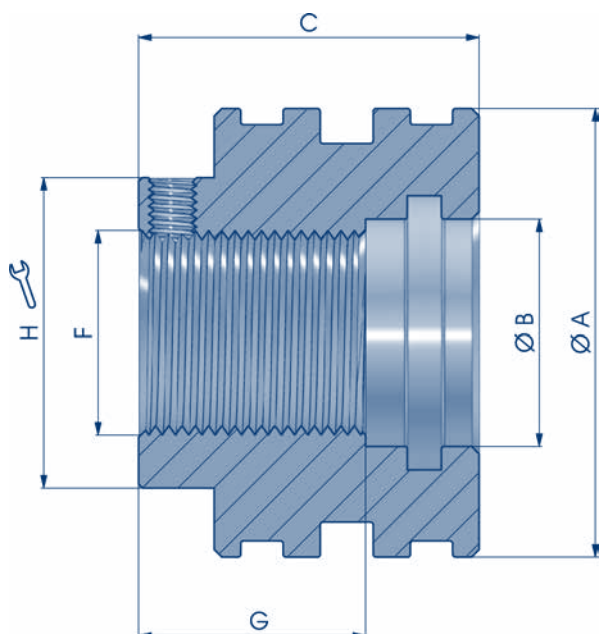
PISTONE FILETTATO PER GER
THREADED PISTON FOR GER GEWINDEKOLBEN FÜR GER
PISTON FILETÉ POUR GER PISTÓN ROSCADO PARA GER



NEW	COD.	A	B	C	F	G
•	NBPFG0321215	32	13	30	M12X1,5	20
•	NBPFG0351615	35	17	30	M16X1,5	20
	NBPFG0401615	40	17	30	M16X1,5	20
	NBPFG0501615	50	17	30	M16X1,5	20
	NBPFG0602420	60	25	35	M24X2	23
	NBPFG0632420	63	25	35	M24X2	23
	NBPFG0652420	65	25	35	M24X2	23
	NBPFG0702420	70	25	35	M24X2	23
	NBPFG0802720	80	28	40	M27X2	28
	NBPFG0903320	90	35	45	M33X2	30
	NBPFG1003320	100	35	45	M33X2	30



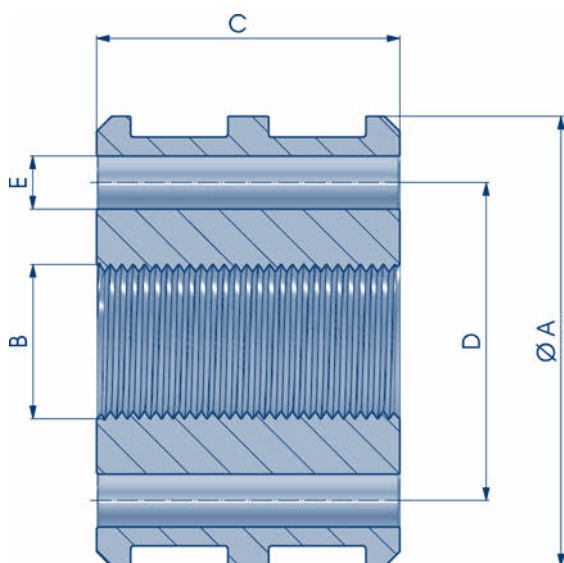
PISTONE PESANTE
HEAVY PISTON SCHWERER KOLBEN
PISTON LOURD PISTÓN PESADO



COD.	A	B	C	F	G	H
NBPP050021040*	50	21	40	M20X1.5	28	36
NBPP060025045*	60	25	45	M24X2	30	41
NBPP060030045*	60	30	45	M27X2	30	41
NBPP063030045*	63	30	45	M27X2	30	41
NBPP070040056*	70	40	56	M30X2	41	50
NBPP080040056*	80	40	56	M30X2	41	50
NBPP090038055*	90	38	55	M36X3	40	64
NBPP090040056*	90	40	56	M36X3	41	64
NBPP100035056*	100	35	56	M33X2	41	64
NBPP100045056*	100	45	56	M42X2	41	64
NBPP110050070*	110	50	70	M48X3	55	75
NBPP120045070*	120	45	70	M42X2	55	75
NBPP120050070*	120	50	70	M48X3	55	75
NBPP125050070*	125	51	70	M48X3	55	75
NBPP140050075*	140	50	75	M48X3	57	75
NBPP150056080*	150	56	80	M52X3	60	80
NBPP160056080*	160	56	80	M52X3	60	80
NBPP180085090*	180	85	90	M80X2	65	110
NBPP200085090*	200	85	90	M80X2	65	110
NBPP220085090*	220	85	90	M80X2	65	110
NBPP250104100*	250	104	100	M98X2	75	135



PISTONE PER TUFFANTE
PISTON FOR SUBMERGED CYLINDER KOLBEN FÜR TAUCHKOLBENZYLINDER
PISTON POUR VÉRIN PLONGEUR PISTÓN SUMERGIDO



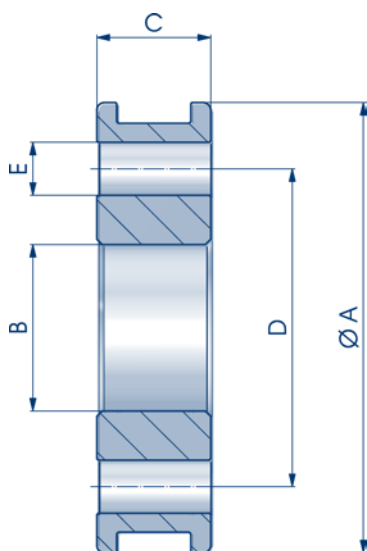
COD.	A	B	C	D	E
NBPFT0301215	30	M12x1.5	35	20	Ø 3.5X3
NBPFT0351415	35	M14x1.5	35	23	Ø 4.5X3
NBPFT0401415	40	M14x1.5	35	27	Ø 4.5X3
NBPFT0451615	45	M16x1.5	35	31	Ø 4.5X3
NBPFT0502015	50	M20x1.5	35	34	Ø 6X3
NBPFT0552015	55	M20x1.5	40	38	Ø 6X3
NBPFT0602015	60	M20x1.5	40	42	Ø 7X3
NBPFT0702420	70	M24x2	45	50	Ø 8.5X3
NBPFT0802720	80	M27X2	45	60	Ø 8.5X3
NBPFT0852720	85	M27X2	45	65	Ø 8.5X3
NBPFT0903320	90	M33X2	50	68	Ø 7.5X5
NBPFT1003320	100	M33X2	50	76	Ø 9X5
NBPFT1103930	110	M39X3	55	86	Ø 9X5
NBPFT1203930	120	M39X3	55	93	Ø 11X5

Materiale di produzione* : Acciaio C45
 Production material* : Steel 080M46
 Werkstoff* : Stahl CK45
 Matériel de production* : Acier C45
 Material de fabricación* : Acero C45

Materiale di produzione : Acciaio 11SMn30 - C45
 Production material : Steel 11SMn30 - 080M46
 Werkstoff : Stahl 11SMn30 - CK45
 Matériel de production : Acier 11SMn30 - C45
 Material de fabricación : Acero 11SMn30 - C45



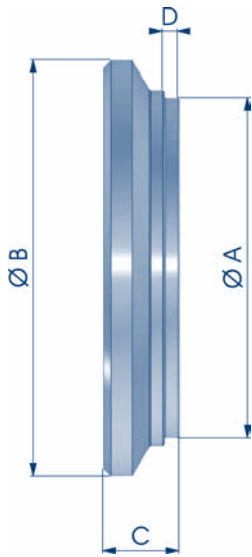
PISTONE BASSO PER TUFFANTE
LOW PISTON FOR SUBMERGED CYLINDER UNTERER KOLBEN FÜR TAUCHKOLBENZYLINDER
PISTON COURT POUR VÉRIN PLONGEUR PISTÓN CORTO SUMERGIDO



COD.	A	B	C	D	E
NBPBT0003012	30	12	14	20	Ø 3.5X3
NBPBT0003514	35	14	14	23	Ø 4.5X3
NBPBT0004014	40	14	14	27	Ø 4.5X3
NBPBT0004516	45	16	14	31	Ø 4.5X3
NBPBT0005020	50	20	14	34	Ø 6X3
NBPBT0005520	55	20	18	38	Ø 6X3
NBPBT0006020	60	20	18	42	Ø 7X3
NBPBT0007024	70	24	18	50	Ø 8.5X3
NBPBT0008027	80	27	18	60	Ø 8.5X3
NBPBT0008527	85	27	18	65	Ø 8.5X3
NBPBT0009033	90	33	18	68	Ø 7.5X5
NBPBT0010033	100	33	18	76	Ø 9X5
NBPBT0011039	110	39	18	86	Ø 9X5
NBPBT0012039	120	39	18	93	Ø 11X5



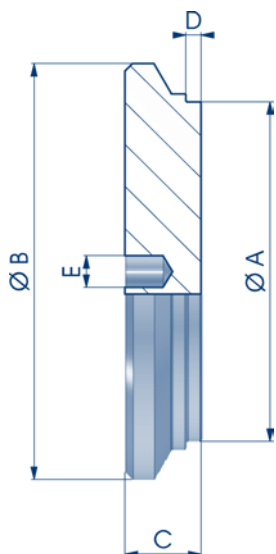
FONDELLO
END PLUG ZYLINDERBODEN
FOND FONDO



NEW	COD.	A	B	C	D
	NBF000025035	25	35	7	2
	NBF000030040	30	40	8	2
	NBF000032042	32	42	8	2
	NBF000035045	35	45	10	2
	NBF000040050	40	50	10	2
	NBF000045055	45	55	10	2
	NBF000050060	50	60	10	2
	NBF000055065	55	65	12	2
	NBF000060070	60	70	12	2
	NBF000063073	63	73	12	2
•	NBF000063075	63	75	12	2
	NBF000065075	65	75	12	2
	NBF000065080	65	80	12	2
	NBF000070080	70	80	12	2
	NBF000070085	70	85	12	2
	NBF000075090	75	90	12	2
	NBF000080090	80	90	12	2
	NBF000080092	80	92	12	2
	NBF000080095	80	95	12	2
•	NBF000085095	85	95	12	2
	NBF000085100	85	100	15	2
	NBF000090102	90	102	15	2
	NBF000090105	90	105	15	2
	NBF000100115	100	115	15	2
	NBF000110125	110	125	15	2
	NBF000110130	110	130	15	2
	NBF000120140	120	140	18	2
	NBF000125145	125	145	18	2
	NBF000140160	140	160	18	2
	NBF000150170	150	170	20	2
	NBF000160180	160	180	20	2



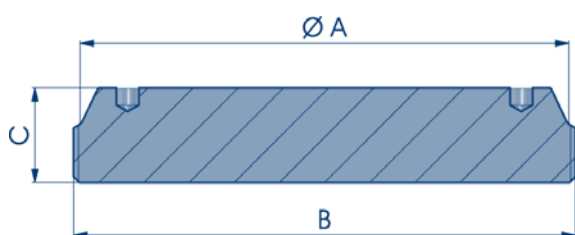
FONDELLO CON CENTRINO
END PLUG WITH CENTRAL PART ZYLINDERBODEN MIT ZENTRIERUNG
FOND AVEC CENTRAGE FONDO CON CENTRINO



COD.	A	B	C	D	E
NBFC00025035	25	35	7	2	3.2X3
NBFC00030040	30	40	8	2	4.2X4
NBFC00032042	32	42	8	2	4.2X4
NBFC00035045	35	45	10	2	4.2X5
NBFC00040050	40	50	10	2	4.2X5
NBFC00045055	45	55	10	2	4.2X5
NBFC00050060	50	60	10	2	4.2X5
NBFC00055065	55	65	12	2	4.2X6
NBFC00060070	60	70	12	2	4.2X6
NBFC00063073	63	73	12	2	4.2X6
NBFC00065075	65	75	12	2	4.2X6
NBFC00065080	65	80	12	2	4.2X6
NBFC00070080	70	80	12	2	4.2X6
NBFC00070085	70	85	12	2	4.2X6
NBFC00075090	75	90	12	2	4.2X6
NBFC00080090	80	90	12	2	4.2X6
NBFC00080092	80	92	12	2	4.2X6
NBFC00080095	80	95	12	2	4.2X6
NBFC00085100	85	100	15	2	4.2X6
NBFC00090105	90	105	15	2	4.2X6
NBFC00100115	100	115	15	2	4.2X6



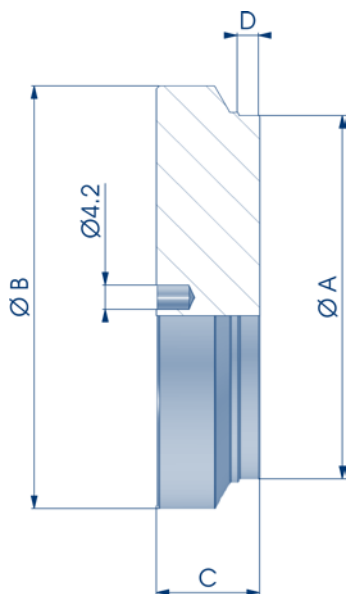
FONDELLO FILETTATO
THREADED END PLUG ZYLINDERBODEN MIT GEWINDE
FOND FILETÉ FONDO ROSCADO



COD.	A	B	C
NBF000180185	180	M185X2.5	35
NBF000200205	200	M205X2.5	48
NBF000220225	220	M225X2.5	48
NBF000250255	250	M255X2.5	48



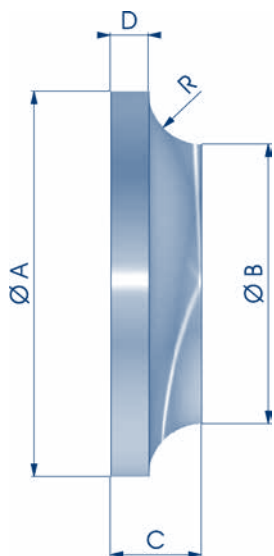
FONDELLO PESANTE
HEAVY END PLUG SCHWERER ZYLINDERBODEN
FOND LOURD FONDO PESADO



COD.	A	B	C	D
NBFP050060017	50	60	17	4
NBFP050065018	50	65	18	4
NBFP060070019	60	70	19	4
NBFP060075019	60	75	19	4
NBFP063078022	63	78	22	4
NBFP070080022	70	80	22	4
NBFP070085022	70	85	22	4
NBFP075090022	75	90	22	4
NBFP080095025	80	95	25	4
NBFP080100025	80	100	25	4
NBFP085100025	85	100	25	4
NBFP090105026	90	105	26	4
NBFP090110026	90	110	26	4
NBFP100115030	100	115	30	4
NBFP100120030	100	120	30	4
NBFP110125031	110	125	31	7
NBFP110130031	110	130	31	7
NBFP120140034	120	140	34	7
NBFP125145035	125	145	35	7
NBFP140160040	140	160	40	7
NBFP140170040	140	170	40	7
NBFP150170042	150	170	42	7
NBFP160180045	160	180	45	7
NBFP160190045	160	190	45	10



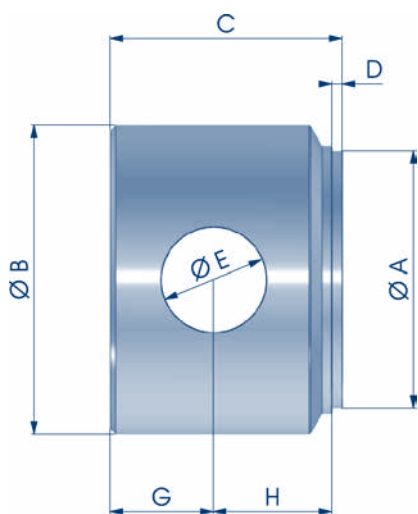
FONDELLO INTERNO
INTERNAL END PLUG INNERER ZYLINDERBODEN
FOND INTÉRIEUR FONDO INTERNO



COD.	A	B	C	D	R
NBFIR0410012	41	27	12	5	7
NBFIR0510012	51	37	12	5	7
NBFIR0610015	61	45	15	7	8
NBFIR0640015	64	48	15	7	8
NBFIR0660015	66	50	15	7	8
NBFIR0710015	71	56	15	7.5	7.5
NBFIR0810017	81	65	17	9	8
NBFIR0910017	91	75	17	9	8
NBFIR1010020	101	81	20	10	10



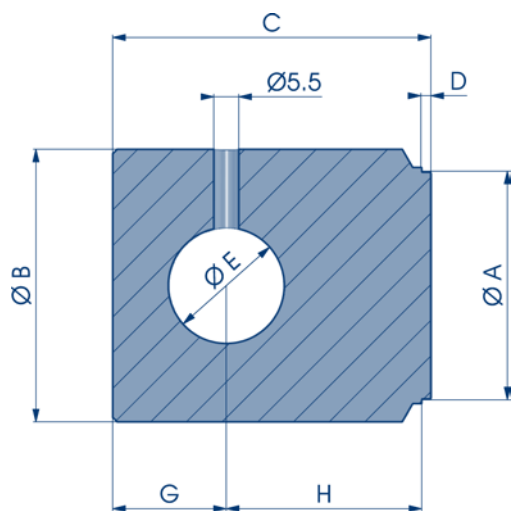
FONDELLO FORATO
HOLED END PLUG ZYLINDERBODEN MIT BOHRUNG
FOND PERCÉ FONDO PERFORADO



COD.	A	B	C	D	E	G	H
NBFF04005016	40	50	35	2	16.2	15	18
NBFF05006020	50	60	45	2	20.25	20	23
NBFF06007025	60	70	50	2	25.25	22.5	25.5
NBFF06307325	63	73	50	2	25.25	22.5	25.5
NBFF06307525	63	75	50	2	25.25	22.5	25.5
NBFF07008025	70	80	50	2	25.25	22.5	25.5
NBFF08009530	80	95	60	2	30.25	25	33
NBFF10011535	100	115	70	2	35.25	30	38



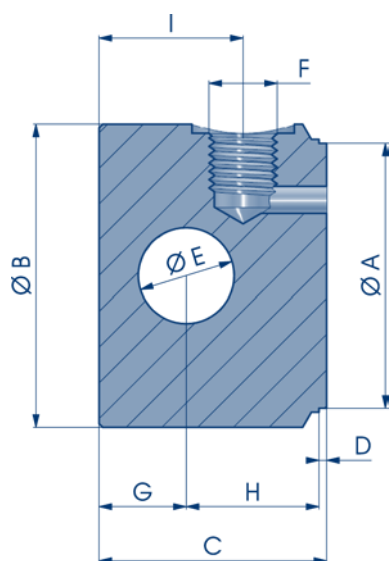
FONDELLO FORATO LUNGO
LONG HOLED END PLUG LANGER ZYLINDERBODEN MIT BOHRUNG
FOND PERCÉ LONG FONDO PERFORADO LARGO



COD.	A	B	C	D	E	G	H
NBFFL0035025	25	35	30	2	12.1	12	16
NBFFL0040032	32	40	40	2	16	17	21
NBFFL0050040	40	50	49	2	20.5	19	28
NBFFL0060050	50	60	70	2	25.5	25	43
NBFFL0070060	60	70	52	2	25.5	25	25
NBFFL0080070	70	80	62	2	30.5	25	35
NBFFL0090080	80	90	62	2	30.5	25	35
NBFFL0115100	100	115	70	2	30.5	34	34



FONDELLO FORATO CON ENTRATA OLIO
HOLED END PLUG WITH OIL INPUT ZYLINDERBODEN MIT BOHRUNG UND OLEINLASS
FOND PERCÉ AVEC ENTRÉE HUILE FONDO PERFORADO CON ENTRADA DE ACEITE

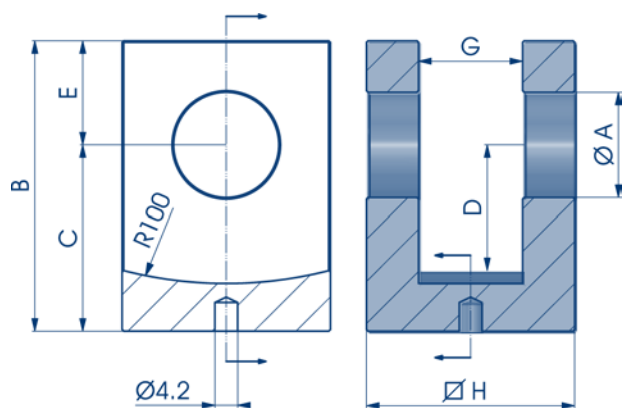


COD.	A	B	C	D	E	F	G	H	I
NBFFE0400500	40	50	50	2	16.2	1/4"	15	33	30
NBFFE0500600	50	60	60	2	20.25	3/8"	20	38	38
NBFFE0600700	60	70	60	2	25.25	3/8"	23	35	38
NBFFE0700800	70	80	60	2	25.25	3/8"	23	35	38
NBFFE0800950	80	95	75	2	30.25	1/2"	25	48	47
NBFFE1001150	100	115	75	2	35.25	1/2"	30	43	47

Materiale di produzione : Acciaio S355JR
 Production material : Steel S355JR
 Werkstoff : Stahl S355JR
 Matériel de production : Acier S355JR
 Material de fabricación : Acero S355JR



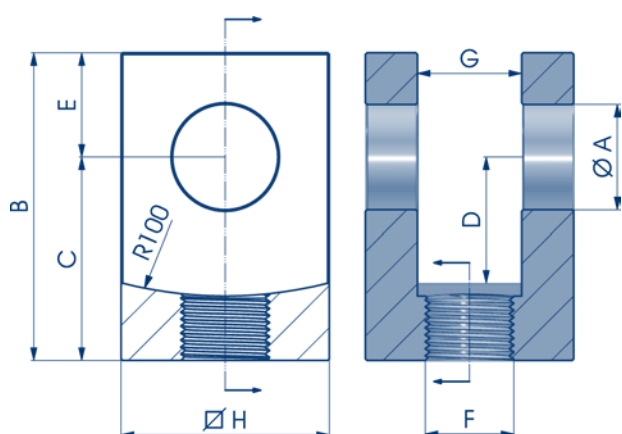
FORCELLA A SALDARE
WELDABLE FORK SCHWEIßBARE GABEL
CHAPE À SOUDER HORQUILLA PARA SOLDAR



COD.	A	B	C	D	E	G	H
NBFS00000016	16.2	50	34	24	16	16	35
NBFS00000020	20.25	60	40	30	20	20	40
NBFS00000025	25.25	70	45	30	25	25	50



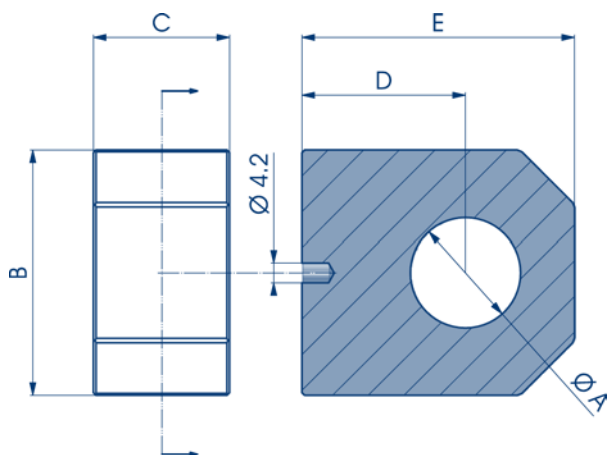
FORCELLA FILETTATA
THREADED FORK GABEL MIT GEWINDE
CHAPE FILETÉE HORQUILLA ROSCADA



COD.	A	B	C	D	E	F	G	H
NBFFIL161615	16.2	55	39	24	16	M16X1.5	16	35
NBFFIL202015	20.25	65	45	30	20	M20X1.5	20	40
NBFFIL252420	25.25	75	50	30	25	M24X2	25	50



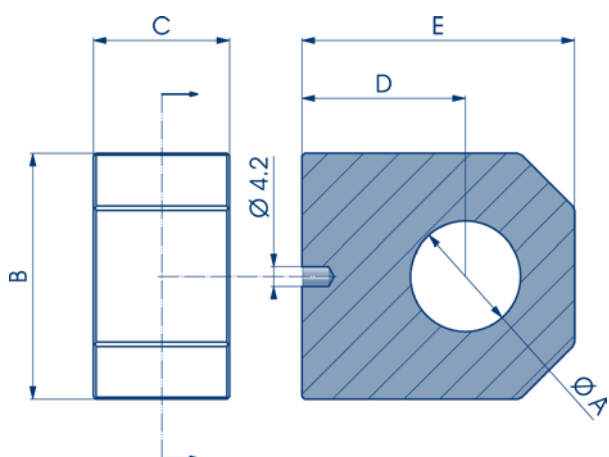
TERMINALE FISSO FORCELLA
FORK FIXED TERMINAL FESTES ZYLINDERENDE FÜR GABEL
TERMINAL FIXE POUR CHAPE TERMINAL FIJO HORQUILLA



COD.	A	B	C	D	E
NBAFSF000016	16.2	35	16	25	42
NBAFSF000020	20.2	40	20	30	50
NBAFSF000025	25.2	50	25	35	60
NBAFSF000030	30.2	60	30	45	75
NBAFSF000035	35.2	70	35	55	90
NBAFSF000040	40.2	80	40	60	95



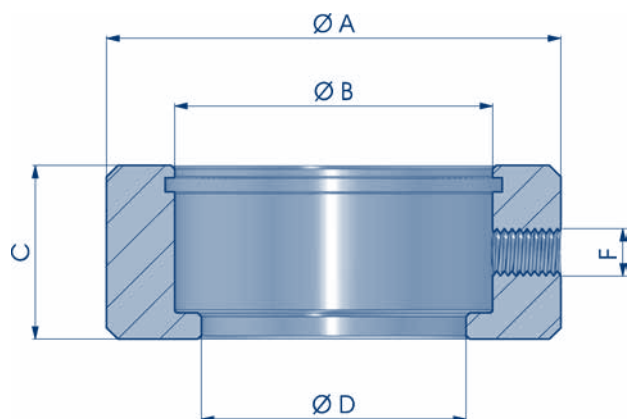
TERMINALE FISSO
FIXED TERMINAL FESTES ZYLINDERENDE
TERMINAL FIXE TERMINAL FIJO



COD.	A	B	C	D	E
NBAFS0000016	16,2	35	20	25	42
NBAFS0000020	20,2	45	25	30	50
NBAFS0000025	25,2	50	30	35	60
NBAFS0000030	30,2	60	35	45	75
NBAFS0000035	35,2	70	40	55	90
NBAFS0000040	40,2	70	40	60	95



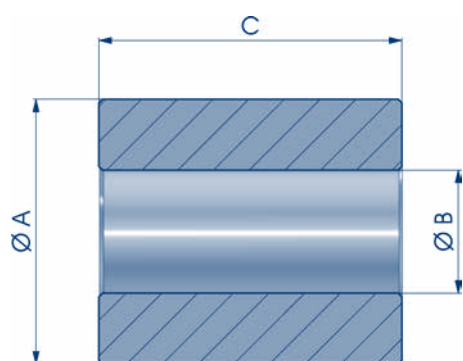
ANELLO GE
GE RING GE-RING
ANNEAU GE ANILLO GE



COD.	A	B	C	D	F
NBANGE0401515	40	26	15	22	M6
NBANGE0501920	50	35	19	29	M6
NBANGE0602325	60	42	23	35	M6
NBANGE0702830	70	47	28	40	M6
NBANGE0853035	85	55	30	47	M6
NBANGE0953540	95	62	35	53	M6
NBANGE1104045	110	68	40	59	M6
NBANGE1204050	120	75	40	66	M6
NBANGE1385060	138	90	50	80	M6



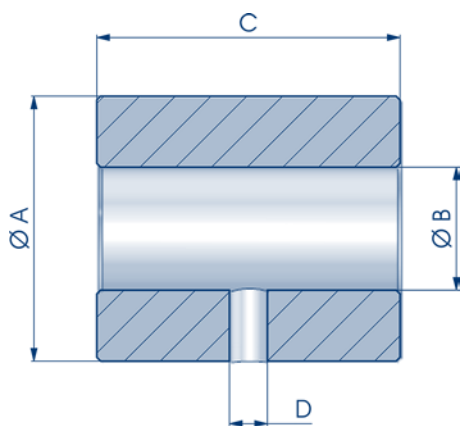
BOCCOLA
BUSH BUCHSE
BAGUE BUJE



COD.	A	B	C
NBBS16035030	35	16.25	30
NBBS16035060	35	16.25	60
NBBS20040040	40	20.25	40
NBBS20040070	40	20.25	70
NBBS25050050	50	25.25	50
NBBS25050080	50	25.25	80
NBBS25050090	50	25.25	90
NBBS30060060	60	30.25	60
NBBS30060110	60	30.25	110
NBBS40070070	70	40.25	70
NBBS40070130	70	40.25	130



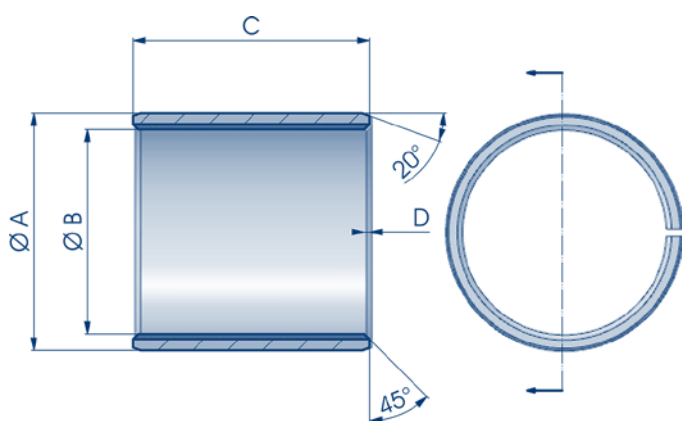
BOCCOLA CON FORO
BUSH WITH HOLE BUCHSE MIT BOHRUNG
BAGUE AVEC TROU BUJE CON PERFORACIÓN



NEW	COD.	A	B	C	D
•	NBBSF12025025	25	12.10	25	5.5
•	NBBSF16030035	30	16.25	35	5.5
•	NBBSF20035040	35	20.25	40	5.5
•	NBBSF20040040	40	20.25	40	5.5
•	NBBSF25040045	40	25.25	45	5.5
•	NBBSF25050045	50	25.25	45	5.5
•	NBBSF30050055	50	30.25	55	5.5
•	NBBSF30050055	50	30.25	55	5.5
•	NBBSF30060070	60	30.25	70	5.5
•	NBBSF30065070	65	30.25	70	5.5
•	NBBSF35065060	65	35.50	60	5.5
•	NBBSF35065120	65	35.50	120	5.5
•	NBBSF50085080	85	50.50	80	5.5
•	NBBSF50085140	85	50.50	140	5.5



BOCCOLA AUTOLUBRIFICANTE SL
SELF LUBRICATING BUSH SL SELBSTSCHMIERENDE BUCHSE SL
BAGUE AUTOLUBRIFIANTE SL BUJE AUTOLUBRICADO SL



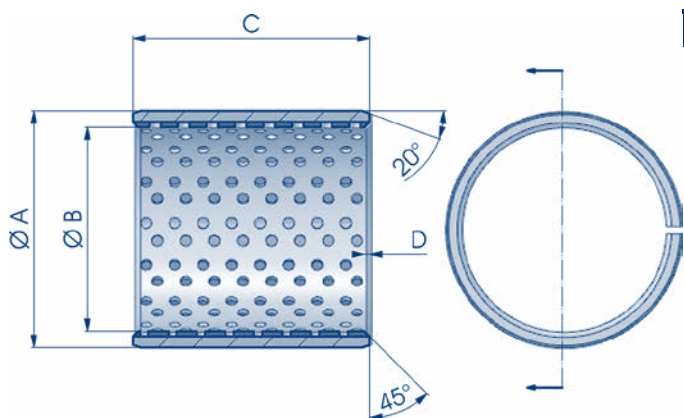
NEW	COD.	A	B	C	D
•	NBBAUSL202310*	23	20	10	0.4
•	NBBAUSL202320*	23	20	20	0.4
•	NBBAUSL252815*	28	25	15	0.4
•	NBBAUSL252820*	28	25	20	0.4
•	NBBAUSL252825*	28	25	25	0.4
•	NBBAUSL303420*	34	30	20	0.6
•	NBBAUSL303430*	34	30	30	0.6
•	NBBAUSL303440*	34	30	40	0.6
•	NBBAUSL353920*	39	35	20	0.6
•	NBBAUSL353930*	39	35	30	0.6
•	NBBAUSL353940*	39	35	40	0.6
•	NBBAUSL353950*	39	35	50	0.6
•	NBBAUSL404420*	44	40	20	0.6
•	NBBAUSL404430*	44	40	30	0.6
•	NBBAUSL404440*	44	40	40	0.6
•	NBBAUSL404450*	44	40	50	0.6

Materiale di produzione : Acciaio S355JR
 Production material : Steel S355JR
 Werkstoff : Stahl S355JR
 Matériel de production : Acier S355JR
 Material de fabricación : Acero S355JR

Materiale di produzione* : Acciaio + PTFE
 Production material* : Steel + PTFE
 Werkstoff* : Stahl + PTFE
 Matériel de production* : Acier + PTFE
 Material de fabricación* : Acero + PTFE



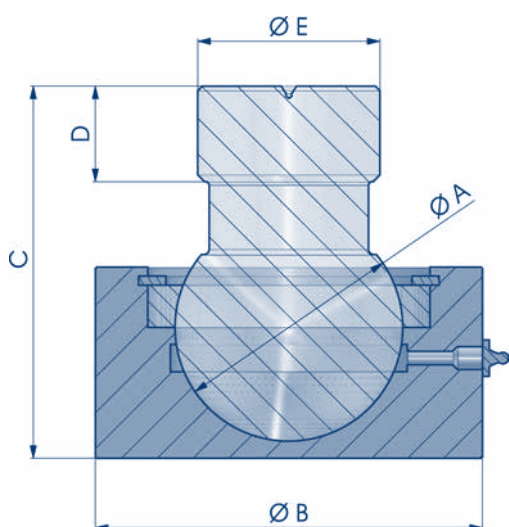
**BOCCOLA AUTOLUBRIFICANTE RK
 SELF LUBRICATING BUSH RK SELBSTSCHMIERENDE BUCHSE RK
 BAGUE AUTOLUBRIFIANTE RK BUJE AUTOLUBRICADO RK**



NEW	COD.	A	B	C	D
•	NBBAURK202310	23	20	10	0.4
•	NBBAURK202320	23	20	20	0.4
•	NBBAURK252815	28	25	15	0.4
•	NBBAURK252820	28	25	20	0.4
•	NBBAURK252825	28	25	25	0.4
•	NBBAURK303420	34	30	20	0.6
•	NBBAURK303430	34	30	30	0.6
•	NBBAURK303440	34	30	40	0.6
•	NBBAURK353920	39	35	20	0.6
•	NBBAURK353930	39	35	30	0.6
•	NBBAURK353940	39	35	40	0.6
•	NBBAURK353950	39	35	50	0.6
•	NBBAURK404420	44	40	20	0.6
•	NBBAURK404430	44	40	30	0.6
•	NBBAURK404440	44	40	40	0.6
•	NBBAURK404450	44	40	50	0.6



**BASE OSCILLANTE
 SWINGING END SCHWINGENDES ENDE
 BASE OSCILLANTE BASE OSCILANTE**



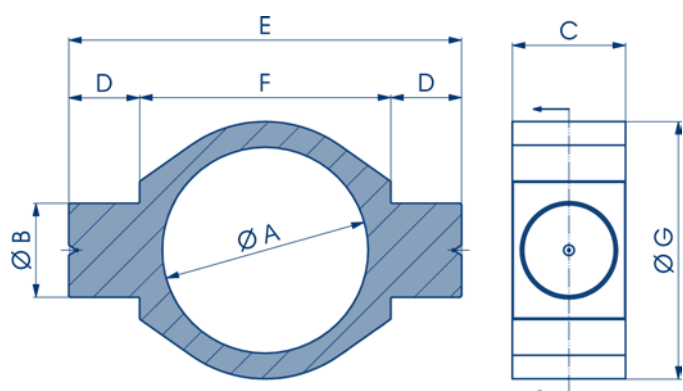
COD.	A	B	C	D	E
NBBAOS050000*	50	85	82	20	40
NBBAOS060000*	60	98	100	25	50
NBBAOS070000*	70	105	115	30	60

Materiale di produzione : Acciaio + POM
 Production material : Steel + POM
 Werkstoff : Stahl + POM
 Matériel de production : Acier + POM
 Material de fabricación : Acero + POM

Materiale di produzione* : Acciaio C45
 Production material* : Steel 080M46
 Werkstoff* : Stahl CK45
 Matériel de production* : Acier C45
 Material de fabricación* : Acero C45



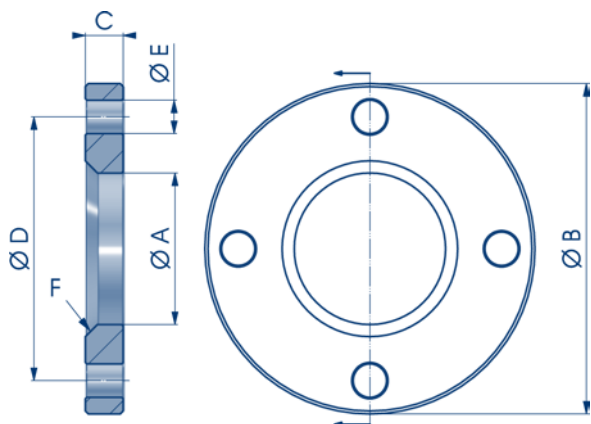
COLLARE BASCULANTE CON PERNI
TILTING COLLAR WITH PINS SCHWENKBARER RING MIT STIFTEN
TOURILLON OSCILLANT AVEC PIVOTS ABRAZADERA BASCULANTE CON PERNOS



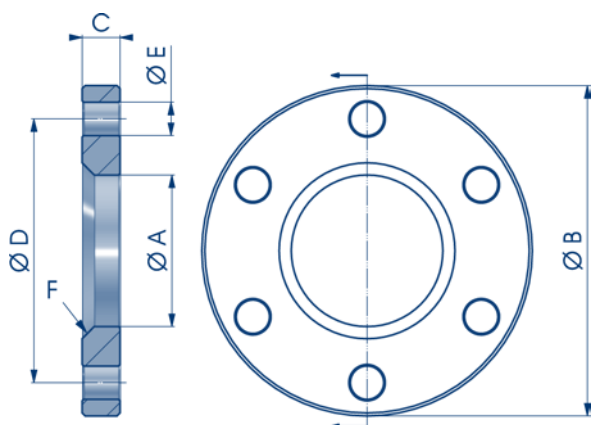
COD.	A	B	C	D	E	F	G
NBPEBAS040	40	15	25	17,5	95	60	52
NBPEBAS050	50	20	30	20	110	70	65
NBPEBAS060	60	25	35	25	130	80	75
NBPEBAS070	70	30	45	30	160	100	90
NBPEBAS080	80	35	50	35	180	110	100
NBPEBAS092	92	40	55	40	195	115	115
NBPEBAS095	95	40	55	40	195	115	115
NBPEBAS105	105	45	60	45	215	125	125
NBPEBAS115	115	50	70	50	245	145	145
NBPEBAS140	140	60	80	60	290	170	170
NBPEBAS160	160	70	88	55	305	195	187



FLANGIA
FLANGE FLANSCH
FLASQUE BRIDA



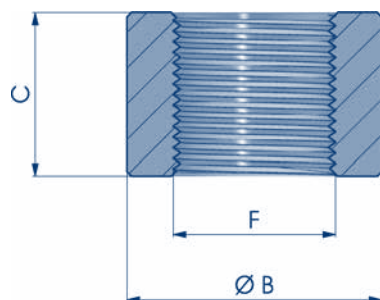
COD.	A	B	C	D	E	F
NBFLA0109050	50	109	12,5	87	4xØ11	4x45°
NBFLA0128060	60	128	14,5	105	4xØ13	4x45°
NBFLA0142070	70	142	16,5	117	4xØ13	5x45°
NBFLA0162080	80	162	16,5	127	4xØ15	5x45°



COD.	A	B	C	D	E	F
NBFLA0181092	92	181	18,5	149	6xØ17	7x45°
NBFLA0181095	95	181	18,5	149	6xØ17	7x45°
NBFLA0194115	115	194	24,5	162	6xØ17	8x45°



BORCHIA
PORT ANSCHLUSS
BOSSAGE ROSCA

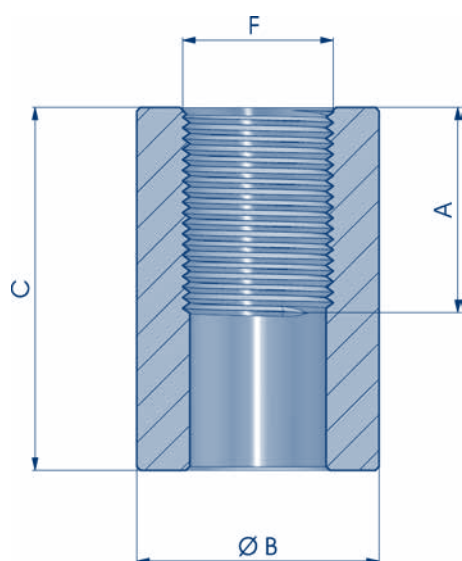


COD.	F	B	C
NBBORSG1/8	1/8"	19	16
NBBORSG1/4	1/4"	22/24	16
NBBORSG3/8	3/8"	26	17
NBBORSG1/2	1/2"	30	18.3
NBBORSG3/4	3/4"	36	20.4
NBBORSG1	1"	46	24.5

COD.	F	B	C
NBBORSM1415	M14X1.5	22	14
NBBORSM1615	M16X1.5	24	14
NBBORSM1815	M18X1.5	28	18
NBBORSM2015	M20X1.5	30	18
NBBORSM2215	M22X1.5	30	18.5



BORCHIA PASSANTE LUNGA
LONG THROUGH-PORT LANGER DURCHGANGSANSCHLUSS
BOSSAGE HAUT DE PASSAGE ROSCA DE PASO LARGO

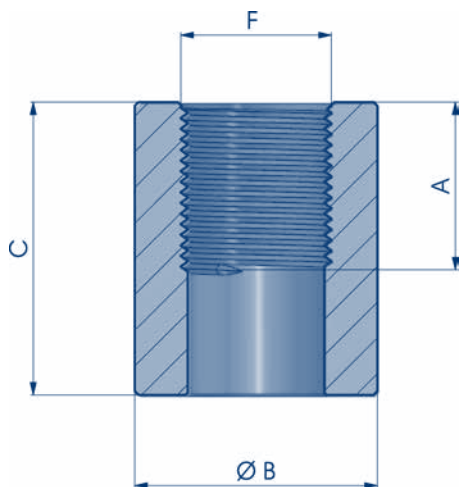


COD.	F	C	B	A
NBBORSPLG1/4	1/4"	40	22	28
NBBORSPLG3/8	3/8"	42	26	30
NBBORSPLG1/2	1/2"	50	30	35

COD.	F	C	B	A
NBBORSPLM16	M16X1.5	40	22	28
NBBORSPLM18	M18X1.5	42	26	30
NBBORSPLM22	M22X1.5	50	30	35



BORCHIA PASSANTE
THROUGH-PORT DURCHGANGSANSCHLUSS
BOSSAGE DE PASSAGE ROSCA DE PASO

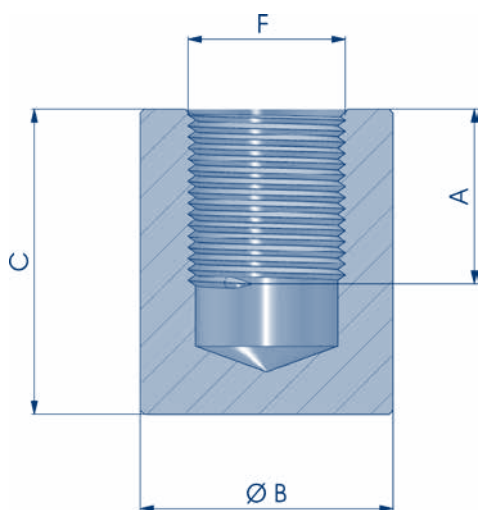


COD.	F	C	B	A
NBBORSPG1/4	1/4"	30	22	14
NBBORSPG3/8	3/8"	35	26	16
NBBORSPG1/2	1/2"	35	30	18

COD.	F	C	B	A
NBBORSPM16	M16X1.5	30	22	14
NBBORSPM18	M18X1.5	35	26	16
NBBORSPM22	M22X1.5	35	30	18



BORCHIA CIECA
BLIND PORT ANSCHLUSS MIT SACKLOCH
BOSSAGE AVEUGLE ROSCA CIEGA

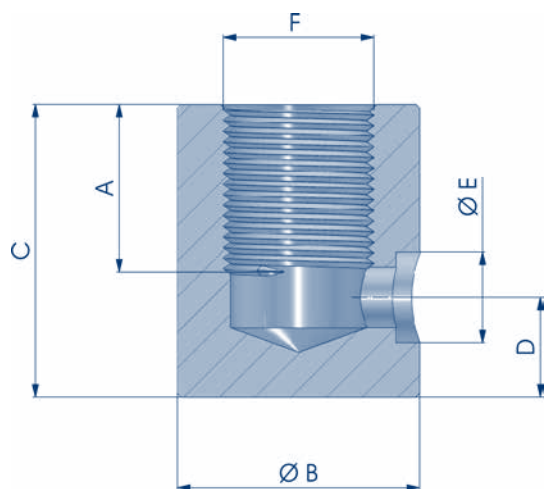


COD.	F	C	B	A
NBBORCLG1/4	1/4"	30	22	14
NBBORCLG3/8	3/8"	35	26	16
NBBORCLG1/2	1/2"	35	30	18

COD.	F	C	B	A
NBBORSCLM16	M16X1.5	30	22	14
NBBORSCLM18	M18X1.5	35	26	16
NBBORSCLM22	M22X1.5	35	30	18



BORCHIA CIECA PER TUBINO
BLIND PORT FOR SMALL TUBE ANSCHLUSS FÜR KLEINES ROHR
BOSSAGE AVEUGLE POUR PETIT TUBE ROSCA CIEGA PARA BOMBÍN

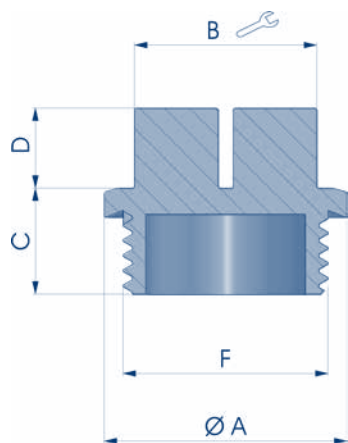


COD.	F	C	B	A	D	E
NBBORSCTG1/4	1/4"	30	22	14	11	10.5
NBBORSCTG3/8	3/8"	35	26	16	12	12.5
NBBORSCTG1/2	1/2"	35	30	18	13	15.5

COD.	F	C	B	A	D	E
NBBORSCTM16	M16X1.5	30	22	14	11	10.5
NBBORSCTM18	M18X1.5	35	26	16	12	12.5
NBBORSCTM22	M22X1.5	35	30	18	13	15.5



TAPPO DI PROTEZIONE
PROTECTION CAP SCHUTZKAPPE
BOUCHON DE PROTECTION TAPÓN DE PROTECCIÓN



COD.	F	A	B	C	D
NBTFPLG1/8*	1/8"	17	13	11	8
NBTFPLG1/4*	1/4"	19	13	10	8
NBTFPLG3/8*	3/8"	22	17	11	9
NBTFPLG1/2*	1/2"	27	19	14	11
NBTFPLG3/4*	3/4"	32	24	14	11
NBTFPLG1*	1"	40	27	18	11

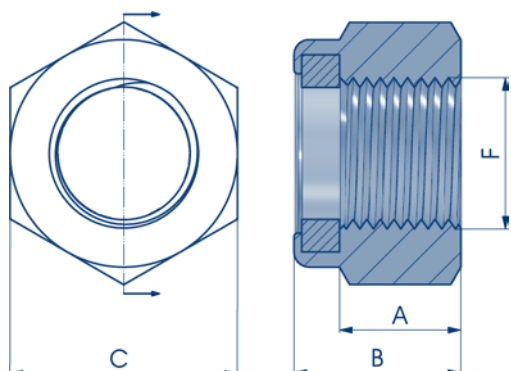
COD.	F	A	B	C	D
NBTFPLM1415*	M14X1.5	19	13	12	8
NBTFPLM1615*	M16X1.5	22	17	12	8
NBTFPLM1815*	M18X1.5	24	17	12	9
NBTFPLM2015*	M20X1.5	26	19	12	12
NBTFPLM2215*	M22X1.5	27	19	12	12

Materiale di produzione : Acciaio S355J2C
 Production material : Steel S355J2C
 Werkstoff : Stahl S355J2C
 Matériel de production : Acier S355J2C
 Material de fabricación : Acero S355J2C

Materiale di produzione* : Nylon PA 6
 Production material* : Nylon PA 6
 Werkstoff* : Nylon PA 6
 Matériel de production* : Nylon PA 6
 Material de fabricación* : Nylon PA 6



DADO AUTOBLOCCANTE
SELF-LOCKING NUT SELBSTSPERRENDE MUTTER
ÉCROU AUTOBLOQUANT TUERCA AUTOBLOCANTE



COD.	A	B	C	F
NBDAA0001215	9.6	14.8	19	M12X1.5
NBDAA0001415	11.2	16.6	22	M14X1.5
NBDAA0001615	12.8	18	24	M16X1.5
NBDAA0002015	16	23	30	M20X1.5
NBDAA0002420	19.2	28	36	M24X2
NBDAA0002720	21.6	30.8	41	M27X2
NBDAA0003320	26.4	36	50	M33X2
NBDAA0003930	31.2	42	60	M39X3
NBDAA0004830	40	52	75	M48X3

14

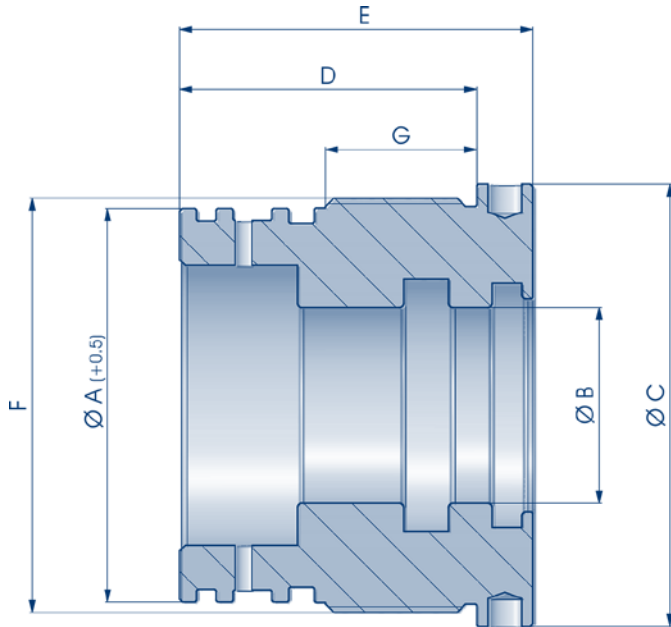


**NALDONI
E BIONDI**

COMPONENTI PER SISTEMA AUTOFRENANTE
COMPONENTS FOR CUSHIONING SYSTEM
KOMPONENTEN FÜR SELBSTBRESENDES SYSTEM
COMPOSANTS POUR SYSTÈME AUTO-FREINANT
COMPONENTES PARA SISTEMA AUTOFRENANTE



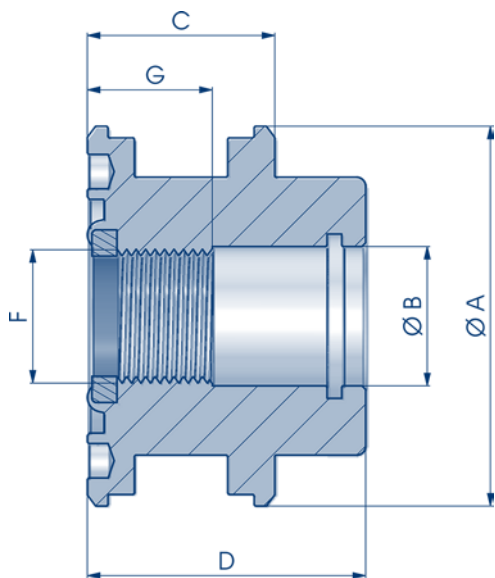
TESTATA FRENANTE
CUSHIONING HEAD BREMSKOPF
TÊTE FREINANTE CABEZA FRENANTE



NEW	COD.	A	B	C	D	E	F	G
•	NBTF05006025	50	25	59	48	56	M54X1.5	22
•	NBTF05006030	50	30	59	48	56	M54X1.5	22
•	NBTF06007030	60	30	69	53	63	M64X1.5	27
•	NBTF06007035	60	35	69	53	63	M64X1.5	27
•	NBTF06007040	60	40	69	53	63	M64X1.5	27
•	NBTF06307330	63	30	73	53	63	M68X1.5	25
•	NBTF06307335	63	35	73	53	63	M68X1.5	25
•	NBTF06307340	63	40	73	53	63	M68X1.5	25
•	NBTF07008030	70	30	79	53	63	M74X1.5	27
•	NBTF07008035	70	35	79	53	63	M74X1.5	27
•	NBTF07008040	70	40	79	53	63	M74X1.5	27
•	NBTF07008045	70	45	79	53	63	M74X1.5	27
•	NBTF08009235	80	35	92	63	73	M85X2	33
•	NBTF08009240	80	40	92	63	73	M85X2	33
•	NBTF08009245	80	45	92	63	73	M85X2	33
•	NBTF08009250	80	50	92	63	73	M85X2	33
•	NBTF10011540	100	40	114	83	95	M105X2	51
•	NBTF10011545	100	45	114	83	95	M105X2	51
•	NBTF10011550	100	50	114	83	95	M105X2	51
•	NBTF10011560	100	60	114	83	95	M105X2	51



PISTONE FRENANTE AUTOBLOCCANTE
SELF-LOCKING CUSHIONING PISTON SELBSTSPERRENDER BREMSKOLBEN
PISTON FREINANT AUTOBLOQUANT PISTÓN FRENANTE AUTOBLOCANT



Italian patent pending

NEW	COD.	A	B	C	D	F	G
•	NBPAFR000050*	50	21	40	60	M20X1.5	28
•	NBPAFR000060*	60	25	45	65	M24X2	30
•	NBPAFR000063*	63	25	45	65	M24X2	30
•	NBPAFR000070*	70	25	45	65	M24X2	30
•	NBPAFR000080*	80	33	45	65	M30X2	30
•	NBPAFR000100*	100	35	50	75	M33X2	35

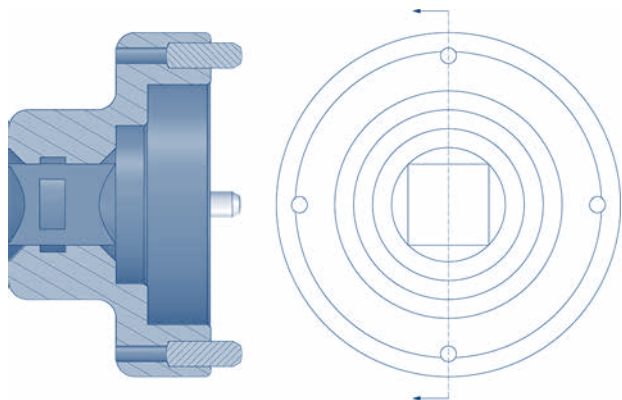
Materiale di produzione : Ghisa GG 25
Production material : Cast iron GG 25
Werkstoff : Gusseisen GG 25
Matériel de production : Fonte grise GG 25
Material de fabricación : Hierro fundido GG 25

Materiale di produzione* : Acciaio 11SMn30
Production material* : Steel 11SMn30
Werkstoff* : Stahl 11SMn30
Matériel de production* : Acier 11SMn30
Material de fabricación* : Acero 11SMn30



CHIAVE PER PISTONE FRENANTE AUTOBLOCCANTE

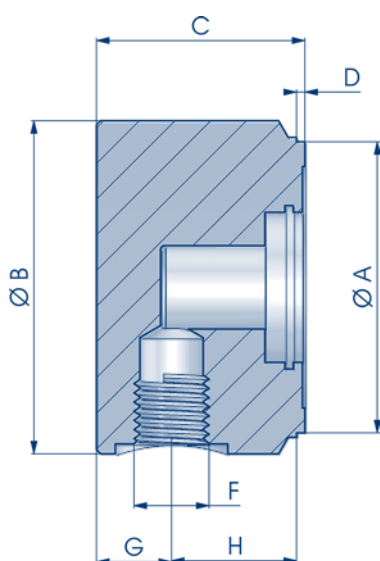
WRENCH FOR SELF-LOCKING CUSHIONING PISTON SCHLÜSSEL FÜR SELBSTSPER. BREMSKOLBEN
CLÉ POUR PISTON FREINANT AUTOBLOQUANT LLAVE PARA PISTÓN FRENANTE AUTOBLOCANT



NEW	COD. CHIAVE WRENCH CODE SCHLÜSSEL-CODE CODE CLÉ CÓD. LLAVE	COD. PISTONE PISTON CODE KOLBEN-CODE CODE PISTON CÓD. PISTÓN
•	NBPAFR000050	NBCHPF000M20
•	NBPAFR000060	NBCHPF000M24
•	NBPAFR000063	NBCHPF000M24
•	NBPAFR000070	NBCHPF000M24
•	NBPAFR000080	NBCHPFM27M30
•	NBPAFR000100	NBCHPF000M33



FONDELLO FRENANTE CUSHIONING END PLUG BREMSZYLINDERBODEN FOND FREINANT FONDO FRENANTE



NEW	COD.	A	B	C	D	F	G	H
•	NBFFR0050060	50	60	50	2	3/8"	20	28
•	NBFFR0060070	60	70	50	2	3/8"	20	28
•	NBFFR0063073	63	73	50	2	3/8"	20	28
•	NBFFR0070080	70	80	50	2	3/8"	20	28
•	NBFFR0080095	80	95	50	2	1/2"	20	28
•	NBFFR0100115	100	115	50	2	1/2"	20	28

Materiale di produzione : Acciaio S355JR
Production material : Steel S355JR
Werkstoff : Stahl S355JR
Matériel de production : Acier S355JR
Material de fabricación : Acero S355JR

14

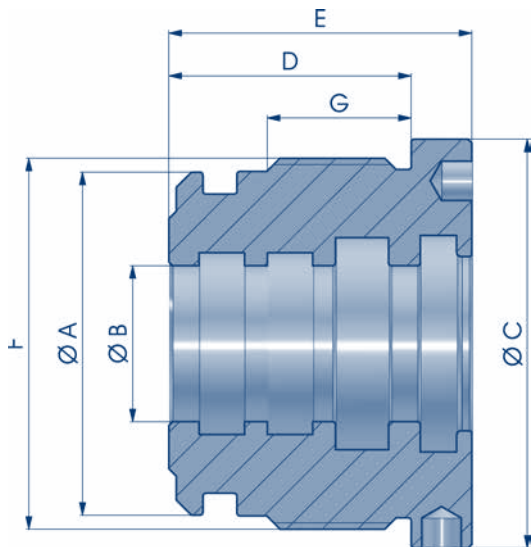


**NALDONI
E BIONDI**

COMPONENTI PER CILINDRI OLEODINAMICI IN ACCIAO INOX AISI 316L
AISI 316L-TYPE STAINLESS STEEL COMPONENTS FOR OIL HYDRAULIC CYLINDERS
KOMPONENTEN FÜR HYDRAULIKZYLINDER AUS EDELSTAHL AISI 316L
COMPOSANTS POUR VÉRINS HYDRAULIQUES EN ACIER INOX AISI 316L
COMPONENTES PARA CILINDROS OLEODINÁMICOS DE ACERO INOX AISI 316L



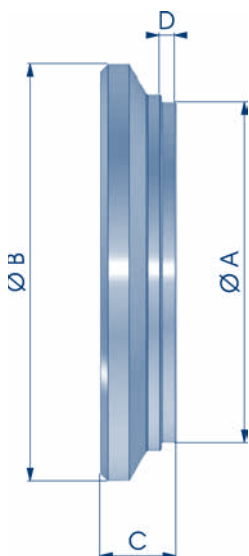
TESTATA
HEAD KOPF
TÊTE CABEZA



COD.	A	B	C	D	E	F	G
NBTI05004020	40	20	49	32	40	M44x1,5	19
NBTI05004025	40	25	49	32	40	M44x1,5	19
NBTI06005025	50	25	59	35	43	M54x1,5	22
NBTI06005030	50	30	59	35	43	M54x1,5	22
NBTI07006030	60	30	69	40	50	M64x1,5	27
NBTI07006035	60	35	69	40	50	M64x1,5	27
NBTI07006040	60	40	69	40	50	M64x1,5	27
NBTI08007035	70	35	79	40	50	M74x1,5	27
NBTI08007040	70	40	79	40	50	M74x1,5	27
NBTI09508040	80	40	94	50	60	M85x2	33
NBTI09508050	80	50	94	50	60	M85x2	33



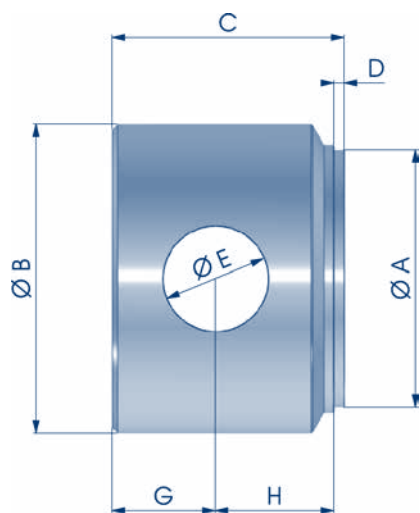
FONDELLO
END PLUG ZYLINDERBODEN
FOND FONDO



COD.	A	B	C	D
NBFI00040050	40	50	10	2
NBFI00050060	50	60	10	2
NBFI00060070	60	70	12	2
NBFI00070080	70	80	12	2
NBFI00080095	80	95	12	2



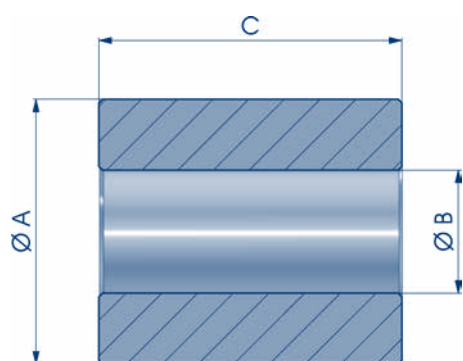
FONDELLO FORATO
HOLED END PLUG ZYLINDERBODEN MIT BOHRUNG
FOND PERCÉ FONDO PERFORADO



COD.	A	B	C	D	E	G	H
NBFFI04005016	40	50	35	2	16.2	15	18
NBFFI05006020	50	60	45	2	20.2	20	23
NBFFI06007025	60	70	50	2	25.2	22.5	25.5
NBFFI07008025	70	80	50	2	25.2	22.5	25.5
NBFFI08009530	80	95	60	2	30.2	25	33



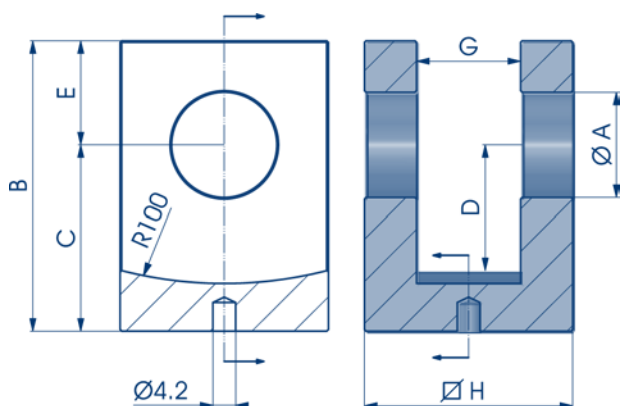
BOCCOLA
BUSH BUCHSE
BAGUE BUJE



COD.	A	B	C
NBBSI16035030	35	16.25	30
NBBSI20040040	40	20.25	40
NBBSI25050050	50	25.25	50
NBBSI30060060	60	30.25	60



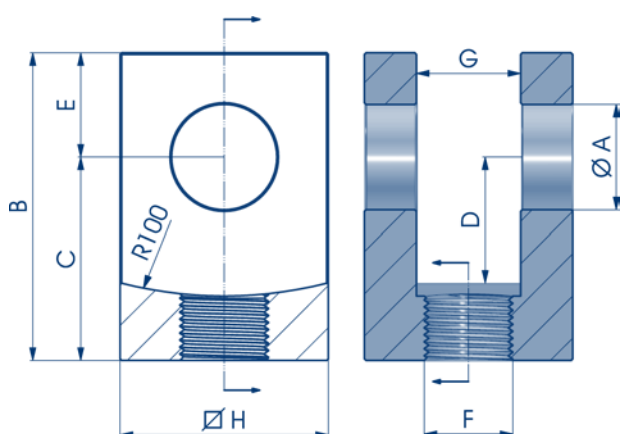
FORCELLA A SALDARE
WELDABLE FORK SCHWEIßBARE GABEL
CHAPE À SOUDER HORQUILLA PARA SOLDAR



COD.	A	B	C	D	E	G	H
NBFSI0000016	16.2	50	34	24	16	16	35
NBFSI0000020	20.25	60	40	30	20	20	40
NBFSI0000025	25.25	70	45	30	25	25	50



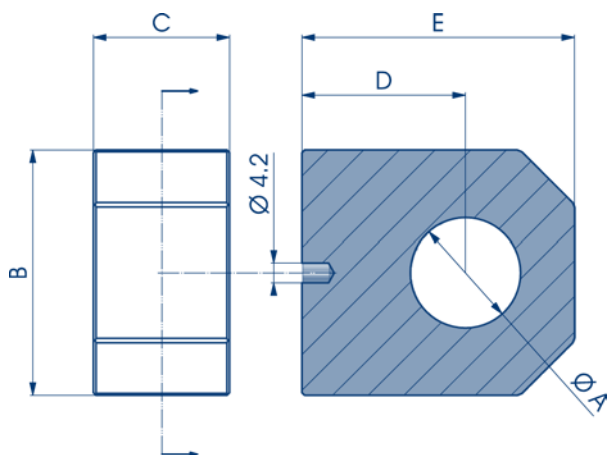
FORCELLA FILETTATA
THREADED FORK GABEL MIT GEWINDE
CHAPE FILETÉE HORQUILLA ROSCADA



COD.	A	B	C	D	E	F	G	H
NBFFILI161615	16.2	55	39	24	16	M16X1.5	16	35
NBFFILI202015	20.25	65	45	30	20	M20X1.5	20	40
NBFFILI252420	25.25	75	50	30	25	M24X2	25	50



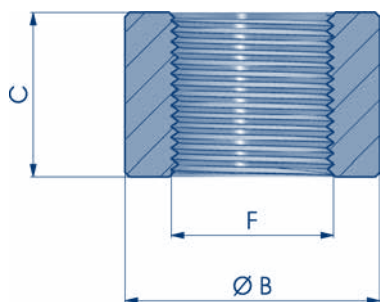
TERMINALE FISSO
FIX TERMINAL FESTES ZYLINDERENDE
TERMINAL FIXE TERMINAL FIJO



COD.	A	B	C	D	E
NBAFSI000016	16.2	35	20	25	42
NBAFSI000020	20.2	45	25	30	50
NBAFSI000025	25.2	50	30	35	60
NBAFSI000030	30.2	60	35	45	75
NBAFSI000035	35.2	70	40	55	90
NBAFSI000040	40.2	70	40	60	95



BORCHIA
PORT ANSCHLUSS
BOSSAGE ROSCA



NEW	COD.	F	B	C
	NBBORSGI1/8	1/8"	16	10
	NBBORSGI1/4	1/4"	20	15
	NBBORSGI3/8	3/8"	26	17
	NBBORSGI1/2	1/2"	32	20
•	NBBORSGI3/4	3/4"	38	21
•	NBBORSGI1	1"	46	25
•	NBBORSGI11/4	1"1/4	55	26
•	NBBORSGI11/2	1"1/2	62	30
•	NBBORSGI2	2"	70	30

14



**NALDONI
E BIONDI**

COMPONENTI IN KIT
KIT COMPONENTS
BAUSATZKOMPONENTEN
COMPOSANTS EN KIT
COMPONENTES EN KIT



COMPONENTI IN KIT
 KIT COMPONENTS BAUSATZKOMPONENTEN
 COMPOSANTS EN KIT COMPONENTES EN KIT



COD. KIT KIT CODE BAUSATZ-CODE CODE KIT CÓD KIT	TESTATA HEAD KOPF TÊTE CABEZA	PISTONE PISTON KOLBEN PISTON PISTÓN	FONDELLO END PLUG ZYLINDERBODEN FOND FONDO	DADO NUT MUTTER ÉCROU TUERCA	BORCHIA (2X) PORT (2X) ANSCHLUSS (2X) BOSSAGE (2X) ROSCA (2X)	KIT GUARN. SEAL KIT DICHTUNGSSATZ KIT DE JOINTS KIT JUNTAS
NBKIT0301613	NBT004003016	NBP000030013	NBFC00030040	NBDAA0001215	NBBORSG1/4	KS003001613
NBKIT0322015	NBT004203220	NBP000032015	NBFC00032042	NBDAA0001415	NBBORSG1/4	KS003202015
NBKIT0402015	NBT005004020	NBP000040015	NBFC00040050	NBDAA0001415	NBBORSG1/4	KS004002015
NBKIT0402515	NBT005004025	NBP000040015	NBFC00040050	NBDAA0001415	NBBORSG1/4	KS004002515
NBKIT0502015	NBT006005020	NBP000050015	NBFC00050060	NBDAA0001415	NBBORSG3/8	KS005002015
NBKIT0502520	NBT006005025	NBP000050020	NBFC00050060	NBDAA0002015	NBBORSG3/8	KS005002520
NBKIT0503020	NBT006005030	NBP000050020	NBFC00050060	NBDAA0002015	NBBORSG3/8	KS005003020
NBKIT0603024	NBT007006030	NBP000060024H50	NBFC00060070	NBDAA0002420	NBBORSG3/8	KS006003024
NBKIT0603520	NBT007006035	NBP000060020	NBFC00060070	NBDAA0002015	NBBORSG3/8	KS006003520
NBKIT0603527	NBT007006035	NBP000060027	NBFC00060070	NBDAA0002720	NBBORSG3/8	KS006003527
NBKIT0604027	NBT007006040	NBP000060027	NBFC00060070	NBDAA0002720	NBBORSG3/8	KS006004027
NBKIT0633024	NBT007306330	NBP000063024H50	NBFC00063073	NBDAA0002420	NBBORSG3/8	KS006303024
NBKIT0633527	NBT007306335	NBP000063027	NBFC00063073	NBDAA0002720	NBBORSG3/8	KS006303527
NBKIT0634027	NBT007306340	NBP000063027	NBFC00063073	NBDAA0002720	NBBORSG3/8	KS006304027
NBKIT0653024	NBT007506530	NBP000065024H50	NBFC00065075	NBDAA0002420	NBBORSG3/8	KS006503024
NBKIT0653527	NBT007506535	NBP000065027	NBFC00065075	NBDAA0002720	NBBORSG3/8	KS006503527
NBKIT0654027	NBT007506540	NBP000065027	NBFC00065075	NBDAA0002720	NBBORSG3/8	KS006504027
NBKIT0703024	NBT008007030	NBP000070024H50	NBFC00070080	NBDAA0002420	NBBORSG3/8	KS007003024
NBKIT0703527	NBT008007035	NBP000070027	NBFC00070080	NBDAA0002720	NBBORSG3/8	KS007003527
NBKIT0704027	NBT008007040	NBP000070027	NBFC00070080	NBDAA0002720	NBBORSG3/8	KS007004027
NBKIT0803527	NBT009508035	NBP000080027	NBFC00080095	NBDAA0002720	NBBORSG1/2	KS008003527
NBKIT0804027	NBT009508040	NBP000080027	NBFC00080095	NBDAA0002720	NBBORSG1/2	KS008004027
NBKIT0804527	NBT009508045	NBP000080027	NBFC00080095	NBDAA0002720	NBBORSG1/2	KS008004527
NBKIT0805027	NBT009508050	NBP000080027	NBFC00080095	NBDAA0002720	NBBORSG1/2	KS008005027
NBKIT0806027	NBT009508060	NBP000080027	NBFC00080095	NBDAA0002720	NBBORSG1/2	KS008006027
NBKIT0904533	NBT010509045	NBP000090033	NBFC00090105	NBDAA0003320	NBBORSG1/2	KS009004533
NBKIT0905033	NBT010509050	NBP000090033	NBFC00090105	NBDAA0003320	NBBORSG1/2	KS009005033
NBKIT0906033	NBT010509060	NBP000090033	NBFC00090105	NBDAA0003320	NBBORSG1/2	KS009006033
NBKIT1005033	NBT011510050	NBP000100033	NBFC00100115	NBDAA0003320	NBBORSG1/2	KS010005033
NBKIT1006033	NBT011510060	NBP000100033	NBFC00100115	NBDAA0003320	NBBORSG1/2	KS010006033

14



**NALDONI
E BIONDI**

INFORMAZIONI TECNICHE
TECHNICAL DATA
TECHNISCHE DATEN
INFORMATIONS TECHNIQUES
DATOS TÉCNICOS



**VALORI DI SERRAGGIO PISTONE AUTOBLOCCANTE
SELF-LOCKING PISTON TORQUE SETTINGS
ANZUGSMOMENTE FÜR SELBSTSPERRENDEN KOLBEN
COUPLES DE SERRAGE POUR PISTON AUTOBLOQUANT
VALORES DE PAR DE APRIETE PARA PISTÓN AUTOBLOCANT**

CODICE PISTONE PISTON CODE KOLBEN-CODE CODE PISTON CÓDIGO PISTÓN	Nm	Kgm	Lbf-ft
NBPF0351415B	35 - 45	3,5 - 4,5	26 - 34
NBPF0401615B	40 - 50	4,0 - 5,0	30 - 38
NBPF0502015B	50 - 60	5,0 - 6,0	36 - 44
NBPF0602420B	60 - 75	6,0 - 7,5	44 - 55
NBPF0632420B	60 - 75	6,0 - 7,5	44 - 55
NBPF0652420B	60 - 75	6,0 - 7,5	44 - 55
NBPF0702420B	60 - 75	6,0 - 7,5	44 - 55
NBPF0802720B	80 - 100	8,0 - 10	60 - 75
NBPF0803020B	100 - 140	10 - 14	80 - 100
NBPF0903320B	130 - 170	13 - 17	95 - 125
NBPF1003320B	130 - 170	13 - 17	95 - 125

Nota : si consiglia di utilizzare le chiavi Naldoni e Biondi
Note : we recommend that you use Naldoni e Biondi wrenches
Anm.: die Verwendung der Naldoni e Biondi Werkzeuge wird empfohlen
Note : on conseille d'utiliser les clés Naldoni e Biondi
Nota : se recomienda utilizar las llaves Naldoni e Biondi