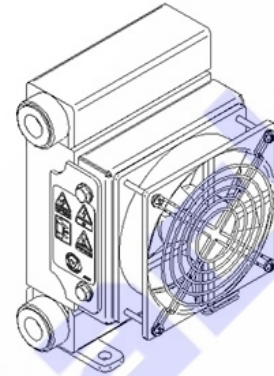
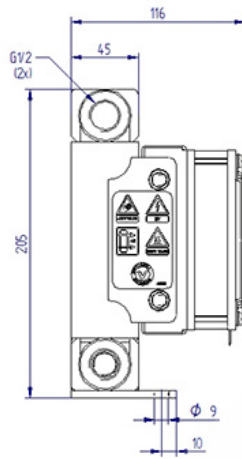
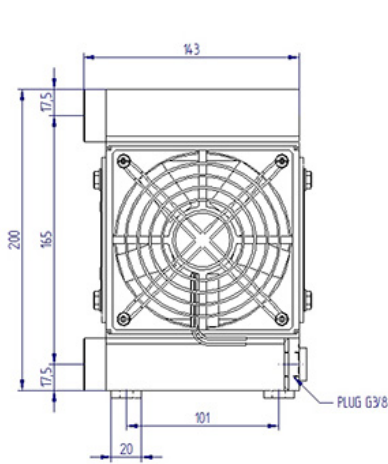
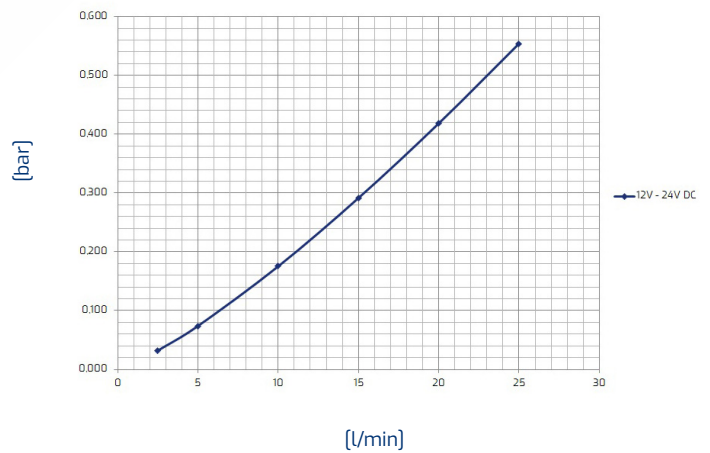
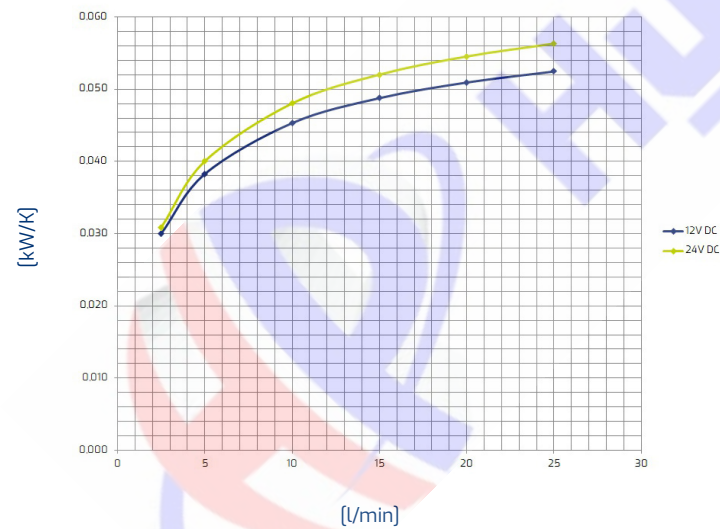


HY series  
**HY00502**

**Technical data**

Item	Oil flow [l/min]	Capacity [l]	Weight [kg]	Rpm	Voltage [V]	Frequency [Hz]	Current absorption [A]	Power [W]	Ø Fan [mm]	Air flow [m³/h]	Noise level [db(A)]
<b>HY00502</b>	2,5-25	0,6	3		12		0,42	5	115	170	43
<b>HY00504</b>	2,5-25	0,6	3		24		0,23	5	115	205	46

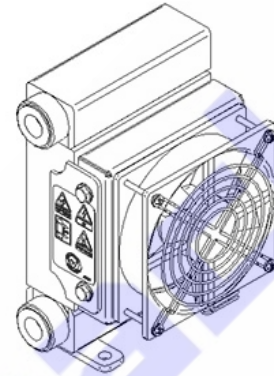
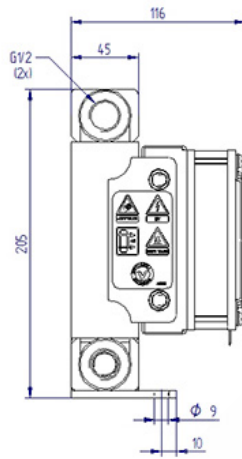
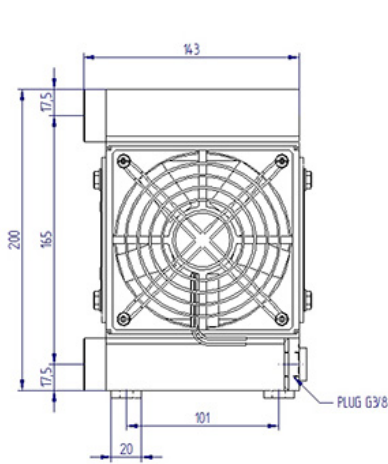
**Performance**
**Pressure drop**

 Oil T 80°C  
 T Amb. 40°C

**Viscosity - ISO VG 32 Oil**

Oil	22	32	46	68	150
Correction factor	0,8	1	1,2	1,6	3

# HY series

## HY00504

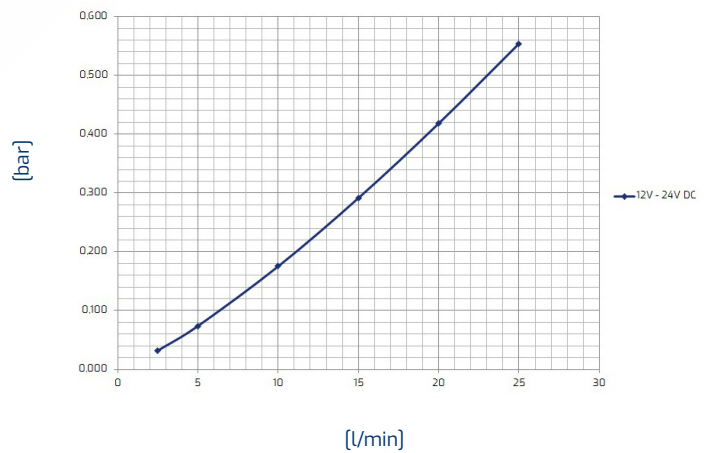
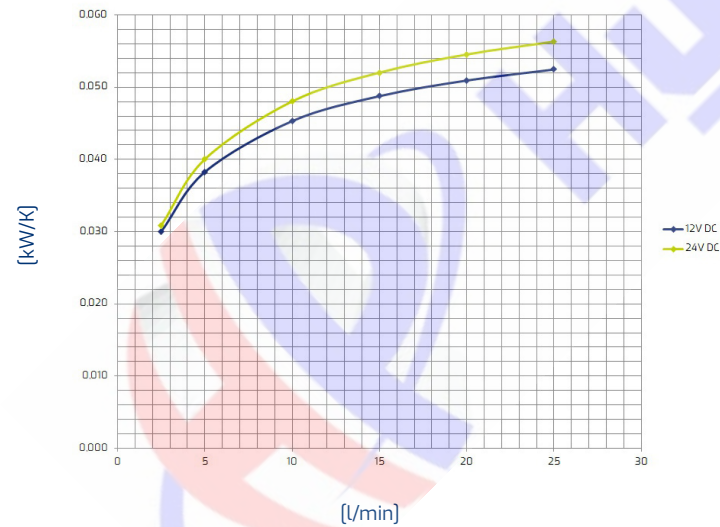


### Technical data

Item	Oil flow [l/min]	Capacity [l]	Weight [kg]	Rpm	Voltage [V]	Frequency [Hz]	Current absorption [A]	Power [W]	Ø Fan [mm]	Air flow [m³/h]	Noise level [db(A)]
<b>HY00502</b>	2,5-25	0,6	3		12		0,42	5	115	170	43
<b>HY00504</b>	2,5-25	0,6	3		24		0,23	5	115	205	46

### Performance

### Pressure drop

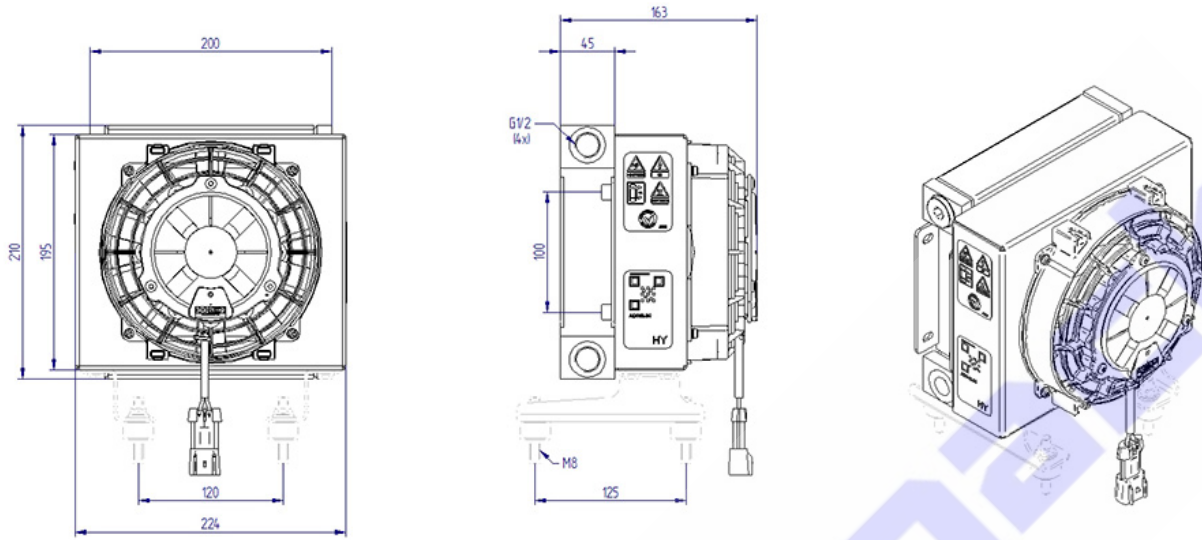


Oil T 80°C  
T Amb. 40°C

#### Viscosity - ISO VG 32 Oil

Oil	22	32	46	68	150
Correction factor	0,8	1	1,2	1,6	3

## HY series HY01002

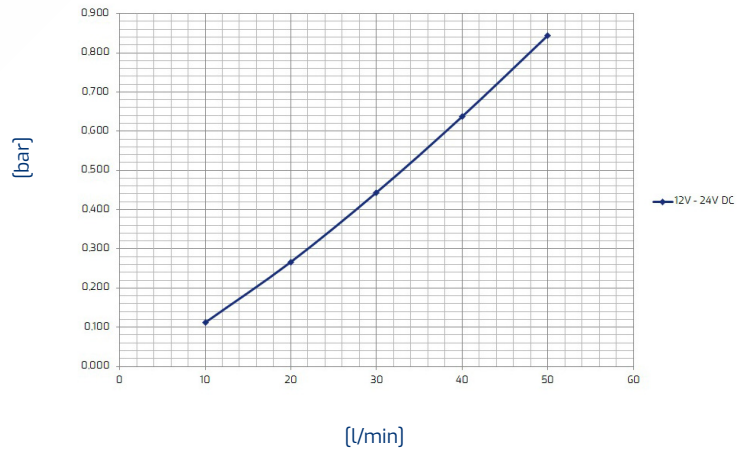
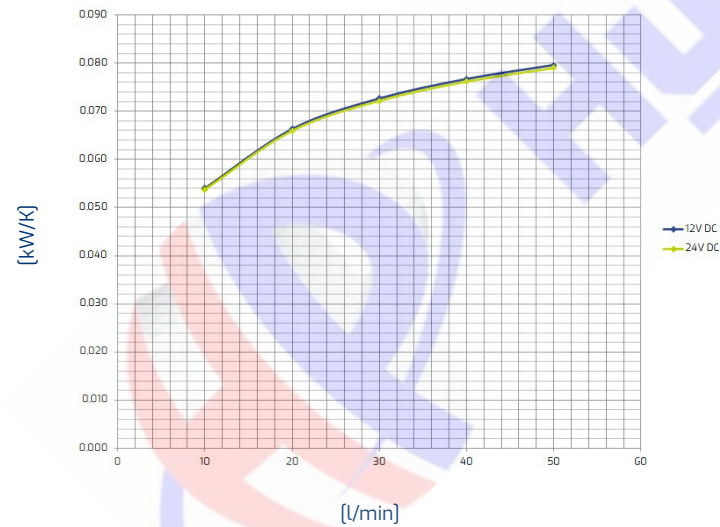


### Technical data

Item	Oil flow [l/min]	Capacity [l]	Weight [kg]	Rpm	Voltage [V]	Frequency [Hz]	Current absorption [A]	Power [W]	Ø Fan [mm]	Air flow [m <sup>3</sup> /h]	Noise level [db(A)]
<b>HY01002</b>	10-50	0.7	5		12		5.40	70	167	362	71,3
<b>HY01004</b>	10-50	0.7	5		24		2.60	70	167	362	72,8

### Performance

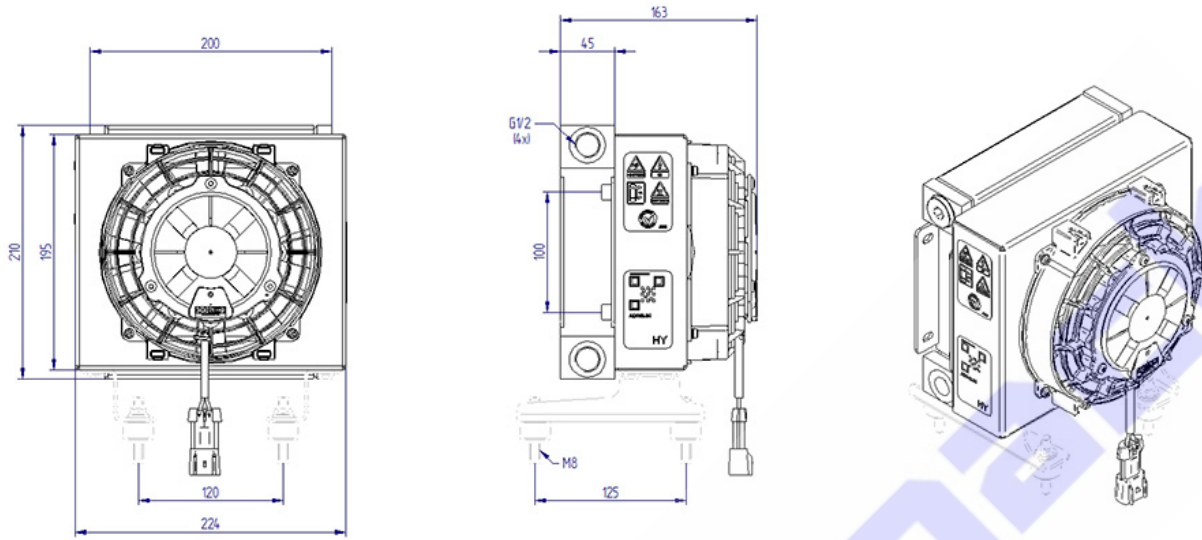
### Pressure drop



Oil T 80°C  
T Amb. 40°C

Viscosity - ISO VG 32 Oil					
Oil	22	32	46	68	150
Correction factor	0,8	1	1,2	1,6	3

## HY series HY01004

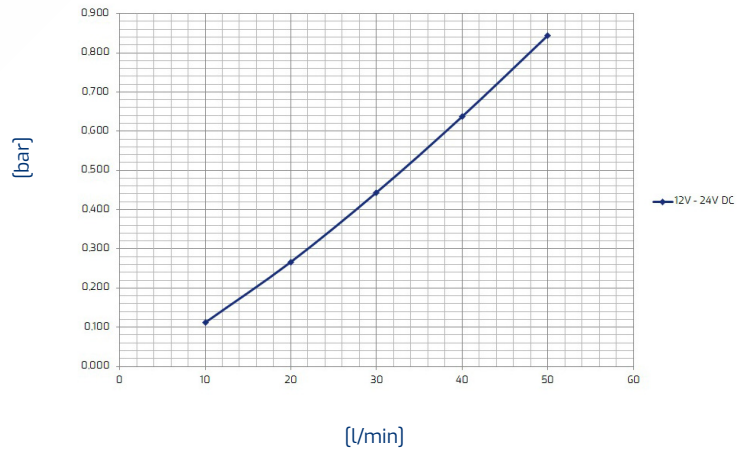
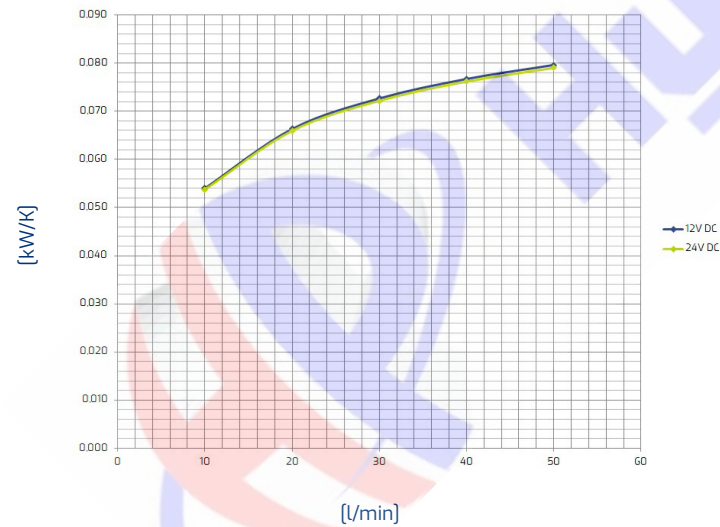


### Technical data

Item	Oil flow [l/min]	Capacity [l]	Weight [kg]	Rpm	Voltage [V]	Frequency [Hz]	Current absorption [A]	Power [W]	Ø Fan [mm]	Air flow [m <sup>3</sup> /h]	Noise level [db(A)]
HY01002	10-50	0.7	5		12		5.40	70	167	362	71,3
HY01004	10-50	0.7	5		24		2.60	70	167	362	72,8

### Performance

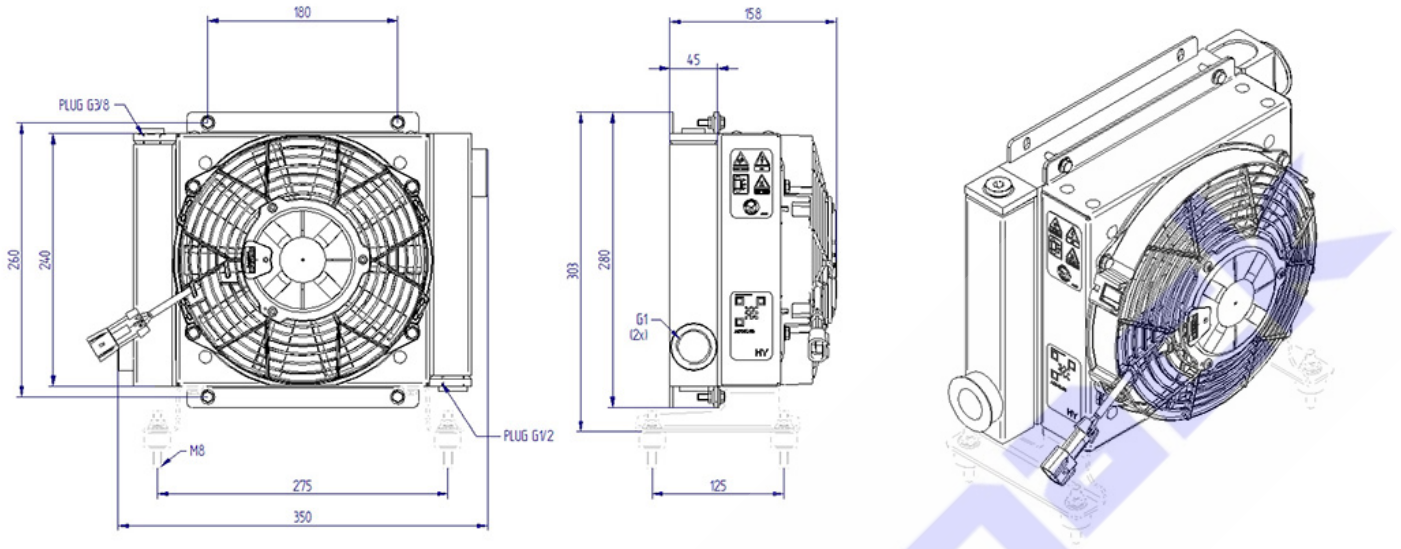
### Pressure drop



Oil T 80°C  
T Amb. 40°C

Viscosity - ISO VG 32 Oil					
Oil	22	32	46	68	150
Correction factor	0,8	1	1,2	1,6	3

## HY series HY01602

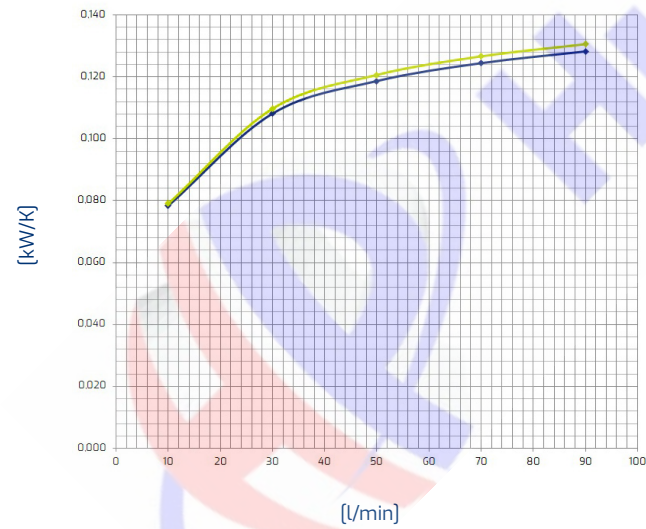


### Technical data

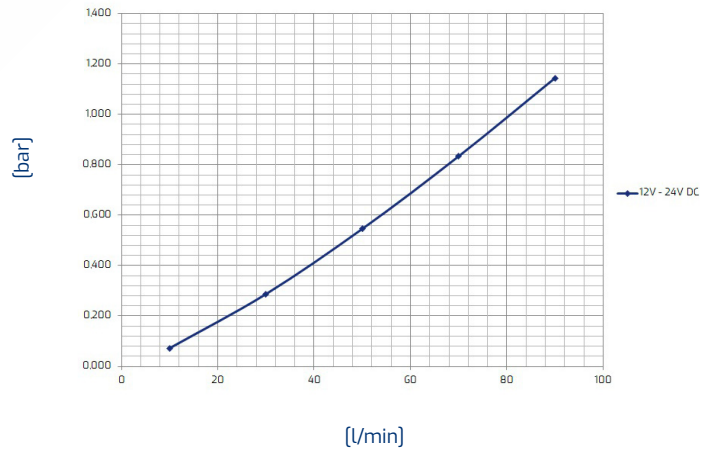
Item	Oil flow [l/min]	Capacity [l]	Weight [kg]	Rpm	Voltage [V]	Frequency [Hz]	Current absorption [A]	Power [W]	Ø Fan [mm]	Air flow [m³/h]	Noise level [db(A)]
<b>HY01602</b>	10-90	0,7	6,5		12		7,30	110	225	615	66,5
<b>HY01604</b>	10-90	0,7	6,5		24		3,80	125	225	635	67,3

### Performance

### Pressure drop

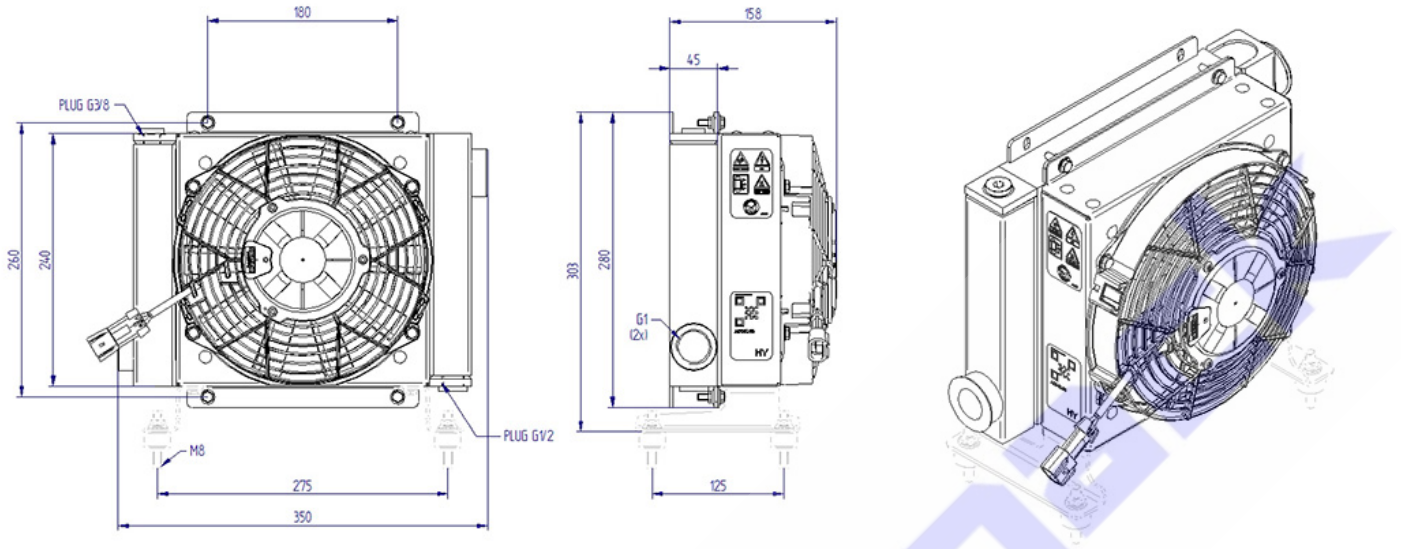


Oil T 80°C  
T Amb. 40°C



Viscosity - ISO VG 32 Oil					
Oil	22	32	46	68	150
Correction factor	0,8	1	1,2	1,6	3

## HY series HY01604

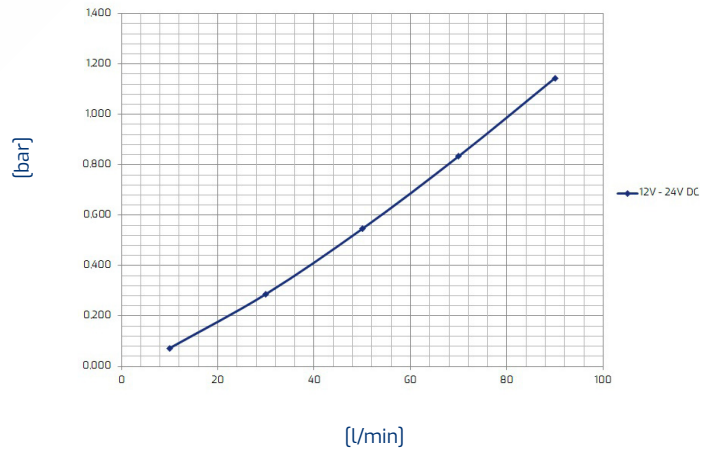
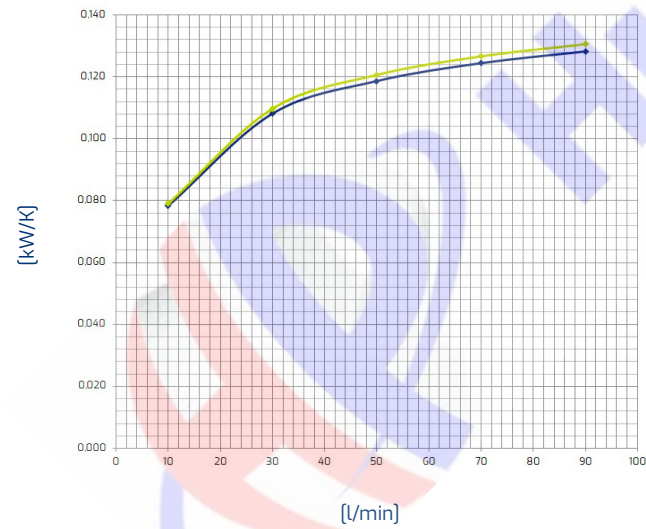


### Technical data

Item	Oil flow [l/min]	Capacity [l]	Weight [kg]	Rpm	Voltage [V]	Frequency [Hz]	Current absorption [A]	Power [W]	Ø Fan [mm]	Air flow [m <sup>3</sup> /h]	Noise level [db(A)]
<b>HY01602</b>	10-90	0,7	6,5		12		7,30	110	225	615	66,5
<b>HY01604</b>	10-90	0,7	6,5		24		3,80	125	225	635	67,3

### Performance

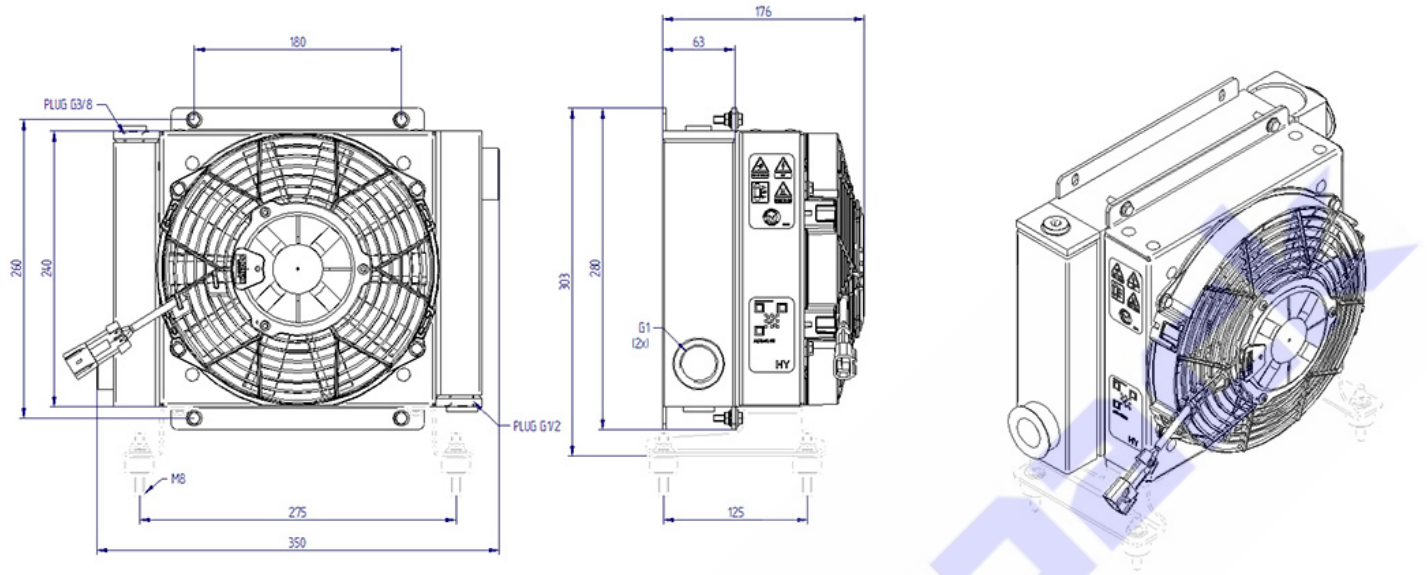
### Pressure drop



Oil T 80°C  
T Amb. 40°C

Viscosity - ISO VG 32 Oil					
Oil	22	32	46	68	150
Correction factor	0,8	1	1,2	1,6	3

## HY series HY01802

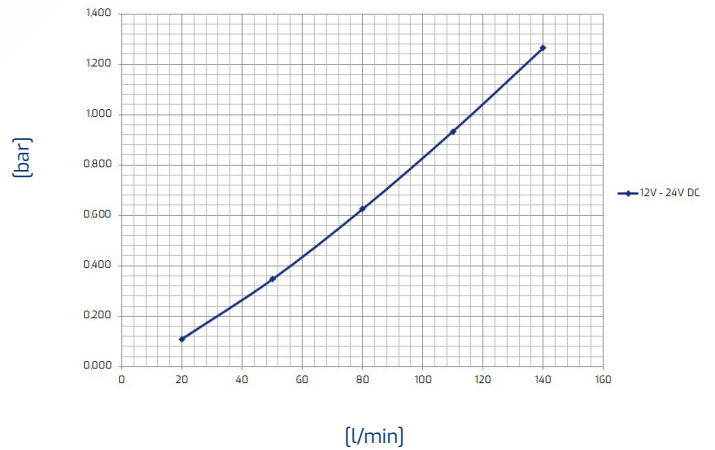
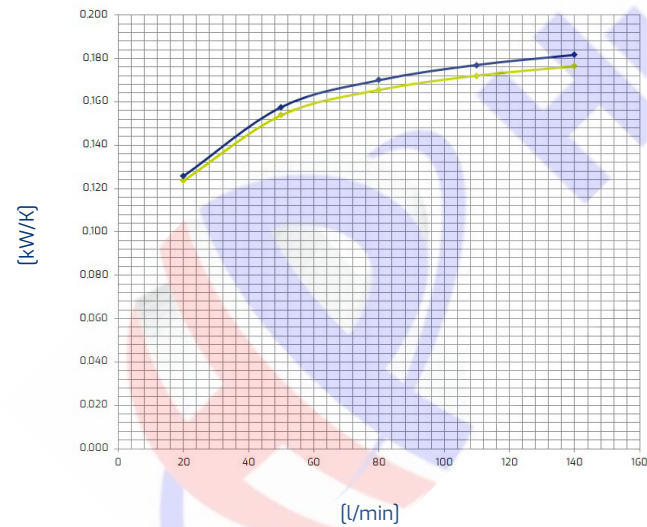


### Technical data

Item	Oil flow [l/min]	Capacity [l]	Weight [kg]	Rpm	Voltage [V]	Frequency [Hz]	Current absorption [A]	Power [W]	Ø Fan [mm]	Air flow [m <sup>3</sup> /h]	Noise level [db(A)]
<b>HY01802</b>	20-140	1,5	8		12		7,40	90	225	805	66,5
<b>HY01804</b>	20-140	1,5	8		24		3,90	94	225	805	67,3

### Performance

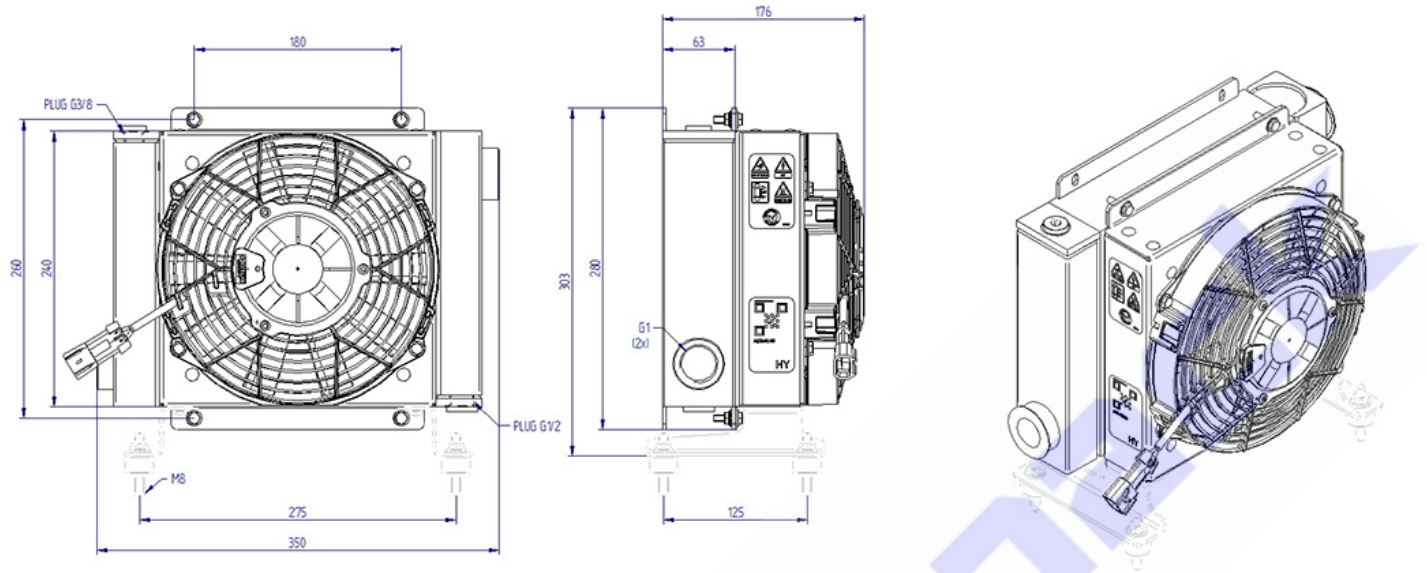
### Pressure drop



Oil T 80°C  
T Amb. 40°C

Viscosity - ISO VG 32 Oil					
Oil	22	32	46	68	150
Correction factor	0,8	1	1,2	1,6	3

## HY series HY01804

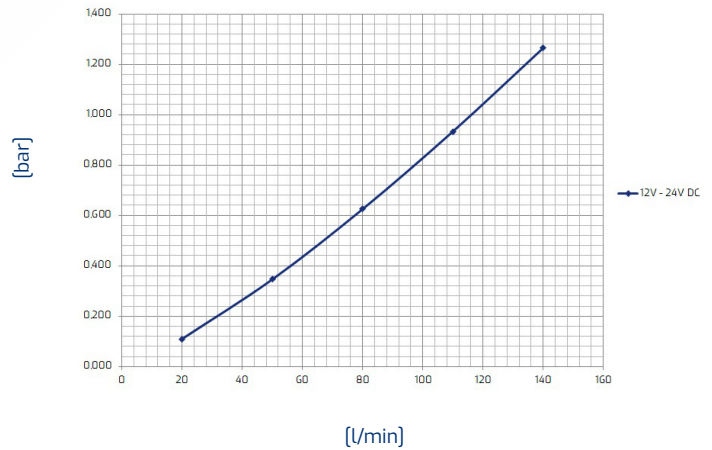
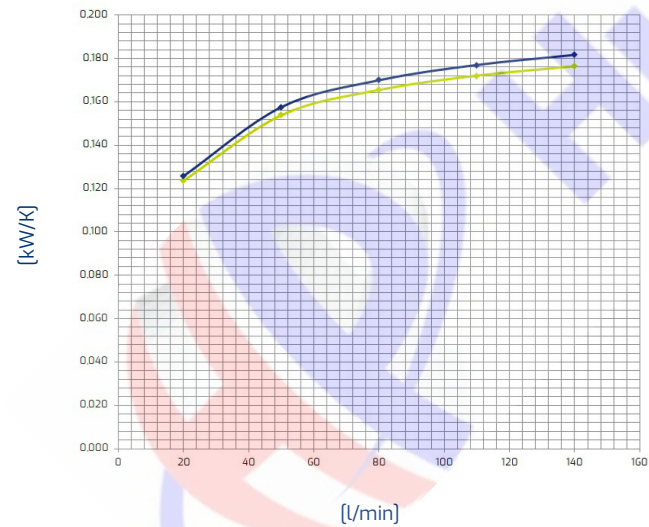


### Technical data

Item	Oil flow [l/min]	Capacity [l]	Weight [kg]	Rpm	Voltage [V]	Frequency [Hz]	Current absorption [A]	Power [W]	Ø Fan [mm]	Air flow [m³/h]	Noise level [db(A)]
HY01802	20-140	1,5	8		12		7,40	90	225	805	66,5
HY01804	20-140	1,5	8		24		3,90	94	225	805	67,3

### Performance

### Pressure drop

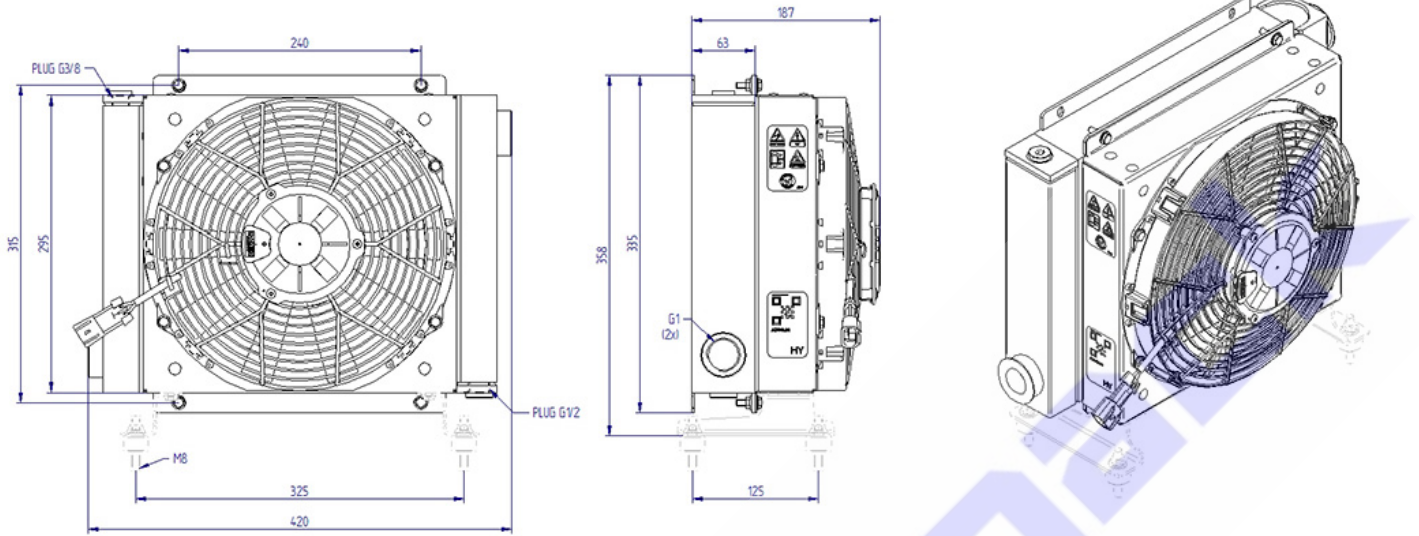


Oil T 80°C  
T Amb. 40°C

Viscosity - ISO VG 32 Oil					
Oil	22	32	46	68	150
Correction factor	0,8	1	1,2	1,6	3



## HY series HY02402

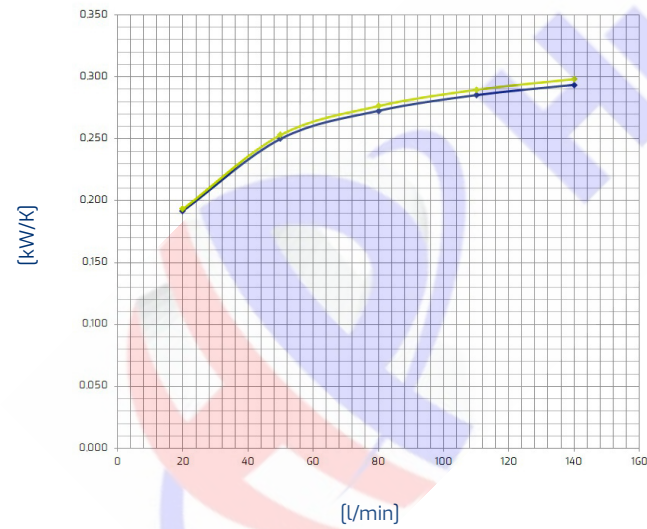


### Technical data

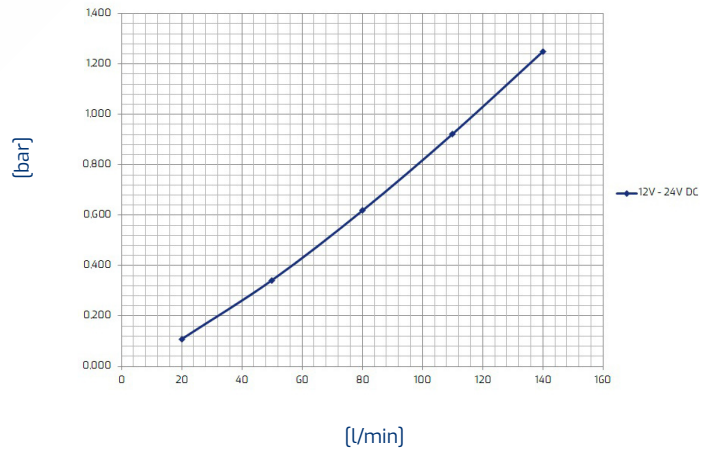
Item	Oil flow [l/min]	Capacity [l]	Weight [kg]	Rpm	Voltage [V]	Frequency [Hz]	Current absorption [A]	Power [W]	Ø Fan [mm]	Air flow [m³/h]	Noise level [db(A)]
<b>HY02402</b>	20-140	2	11		12		9,40	120	280	1230	75
<b>HY02404</b>	20-140	2	11		24		4,70	120	280	1235	74

### Performance

### Pressure drop



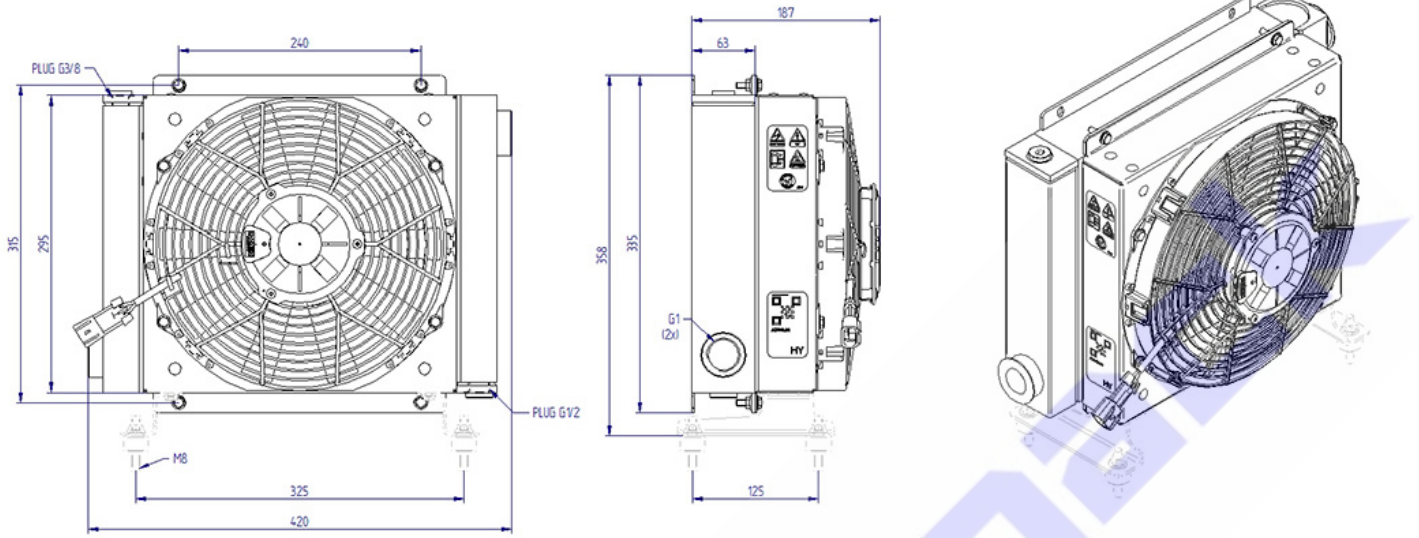
Oil T 80°C  
T Amb. 40°C



#### Viscosity - ISO VG 32 Oil

Oil	22	32	46	68	150
Correction factor	0,8	1	1,2	1,6	3

## HY series HY02404

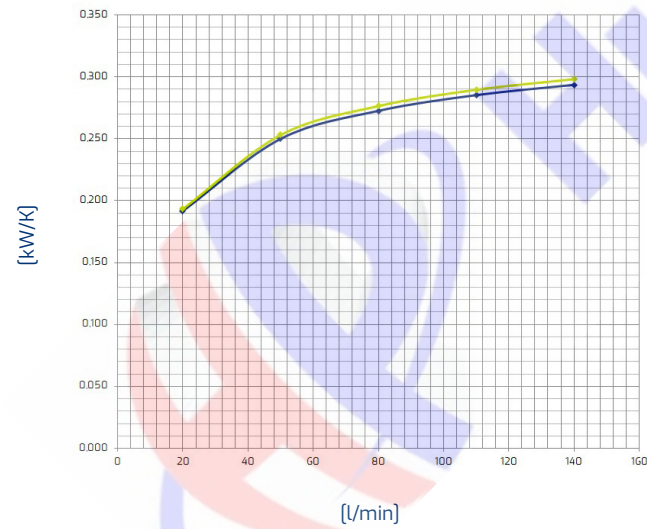


### Technical data

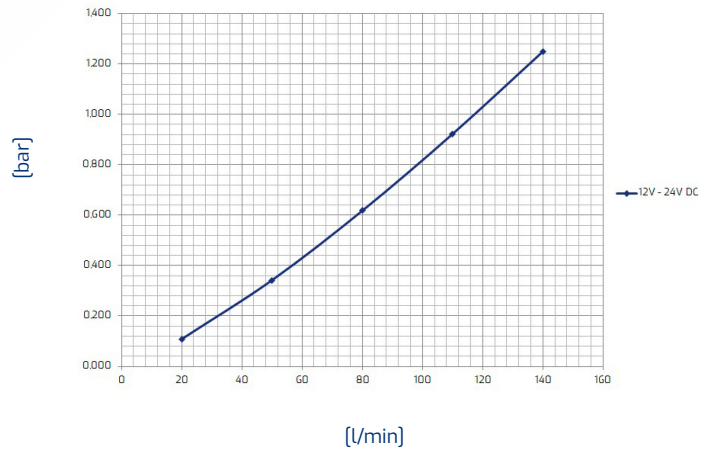
Item	Oil flow [l/min]	Capacity [l]	Weight [kg]	Rpm	Voltage [V]	Frequency [Hz]	Current absorption [A]	Power [W]	Ø Fan [mm]	Air flow [m³/h]	Noise level [db(A)]
<b>HY02402</b>	20-140	2	11		12		9,40	120	280	1230	75
<b>HY02404</b>	20-140	2	11		24		4,70	120	280	1235	74

### Performance

### Pressure drop



Oil T 80°C  
T Amb. 40°C

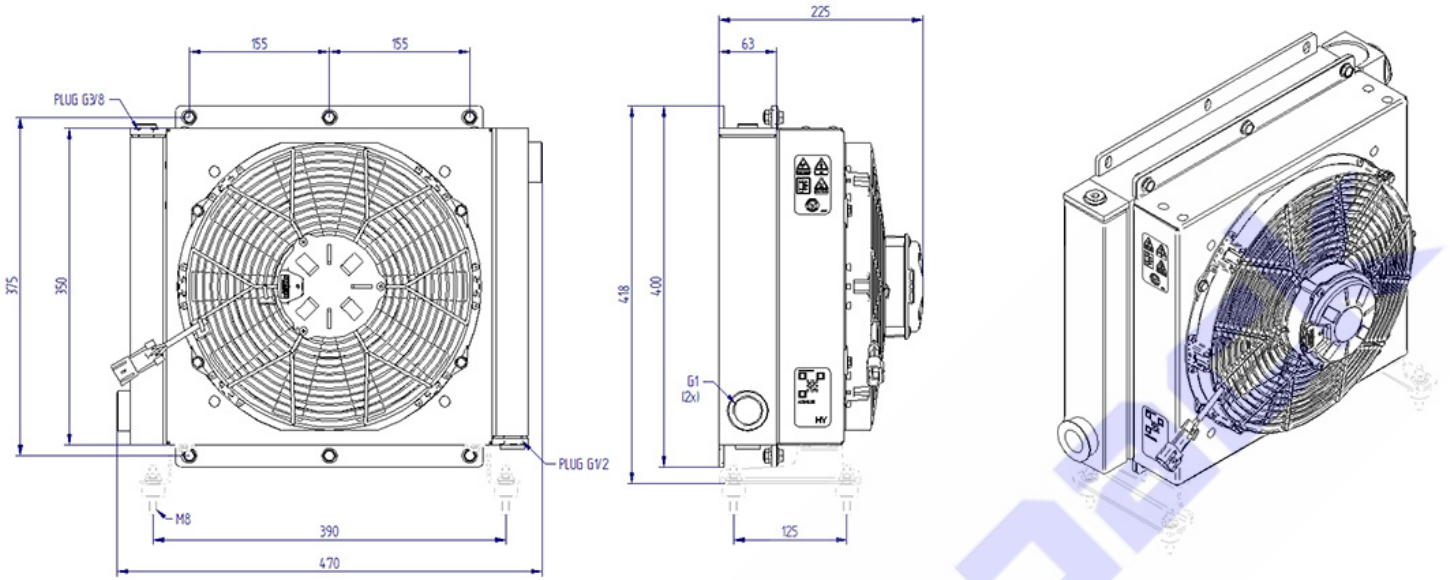


#### Viscosity - ISO VG 32 Oil

Oil	22	32	46	68	150
Correction factor	0,8	1	1,2	1,6	3

# HY series

## HY03802

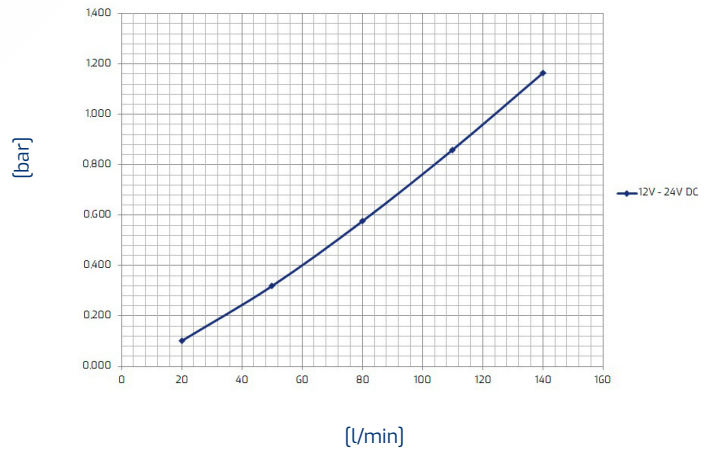
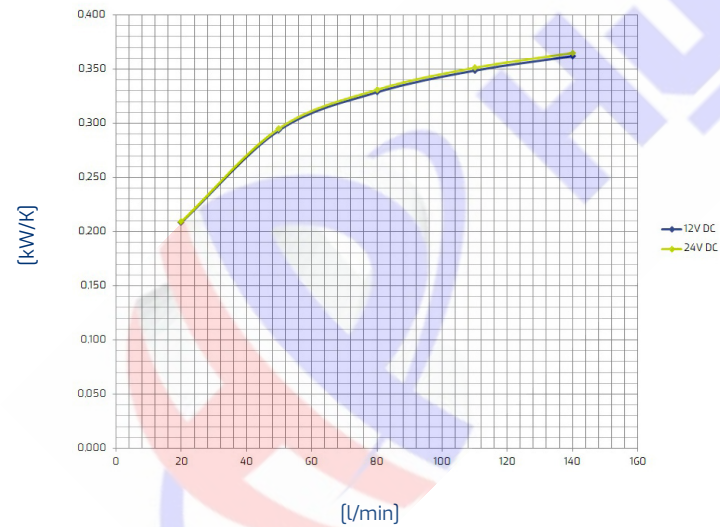


### Technical data

Item	Oil flow [l/min]	Capacity [l]	Weight [kg]	Rpm	Voltage [V]	Frequency [Hz]	Current absorption [A]	Power [W]	Ø Fan [mm]	Air flow [m³/h]	Noise level [db(A)]
<b>HY03802</b>	20-140	2,5	14,5		12		16,40	213	305	2055	73,4
<b>HY03804</b>	20-140	2,5	14,5		24		8,60	223	305	2045	73,7

### Performance

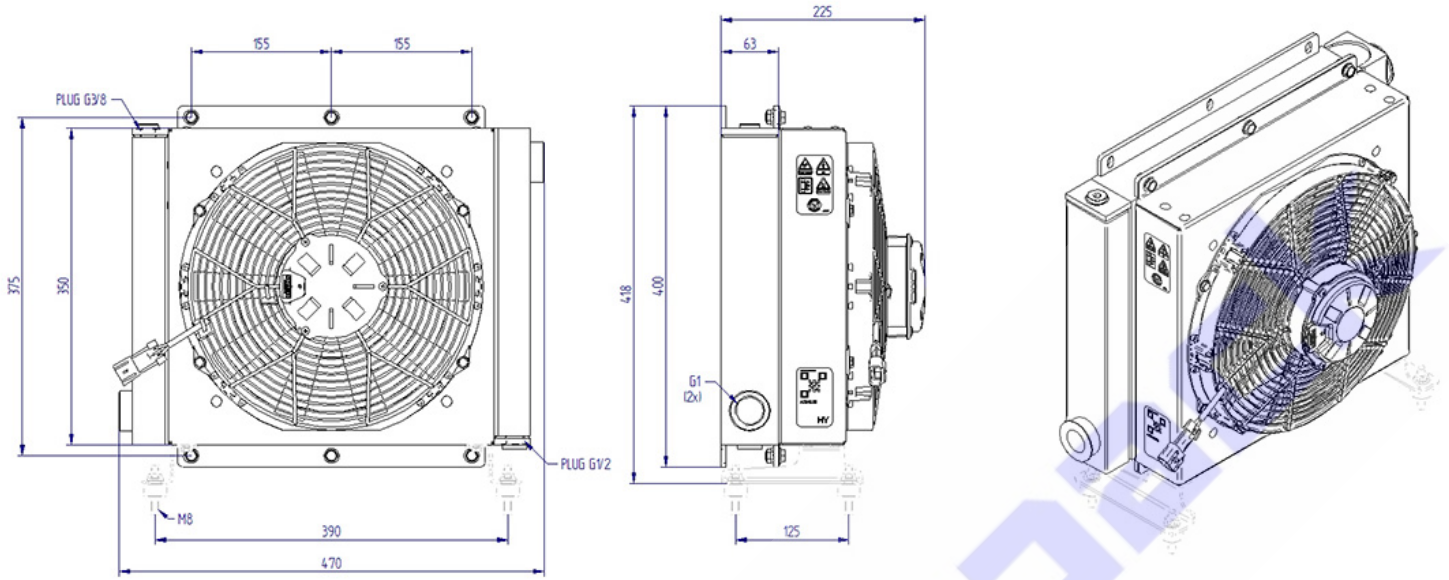
### Pressure drop



Oil T 80°C  
T Amb. 40°C

Viscosity - ISO VG 32 Oil					
Oil	22	32	46	68	150
Correction factor	0,8	1	1,2	1,6	3

## HY series HY03804

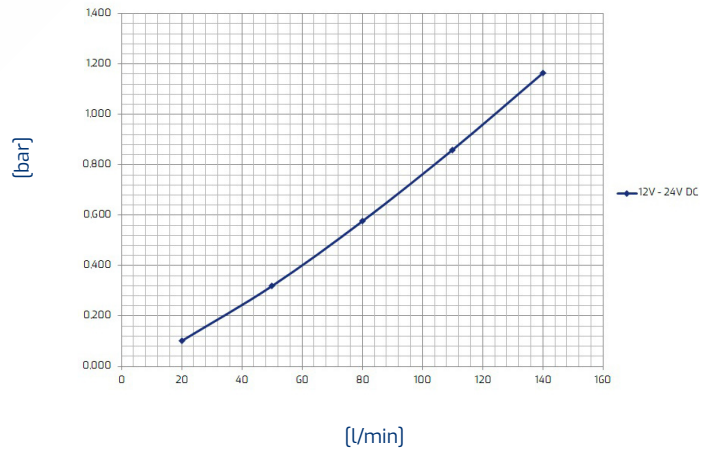
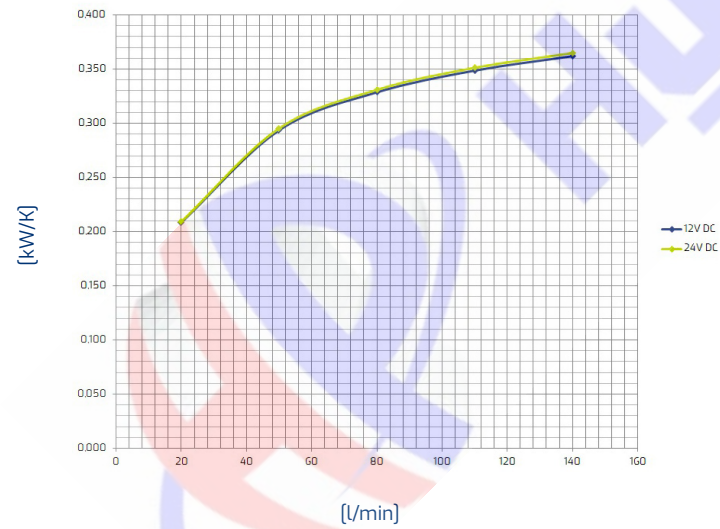


### Technical data

Item	Oil flow [l/min]	Capacity [l]	Weight [kg]	Rpm	Voltage [V]	Frequency [Hz]	Current absorption [A]	Power [W]	Ø Fan [mm]	Air flow [m³/h]	Noise level [db(A)]
<b>HY03802</b>	20-140	2,5	14,5		12		16,40	213	305	2055	73,4
<b>HY03804</b>	20-140	2,5	14,5		24		8,60	223	305	2045	73,7

### Performance

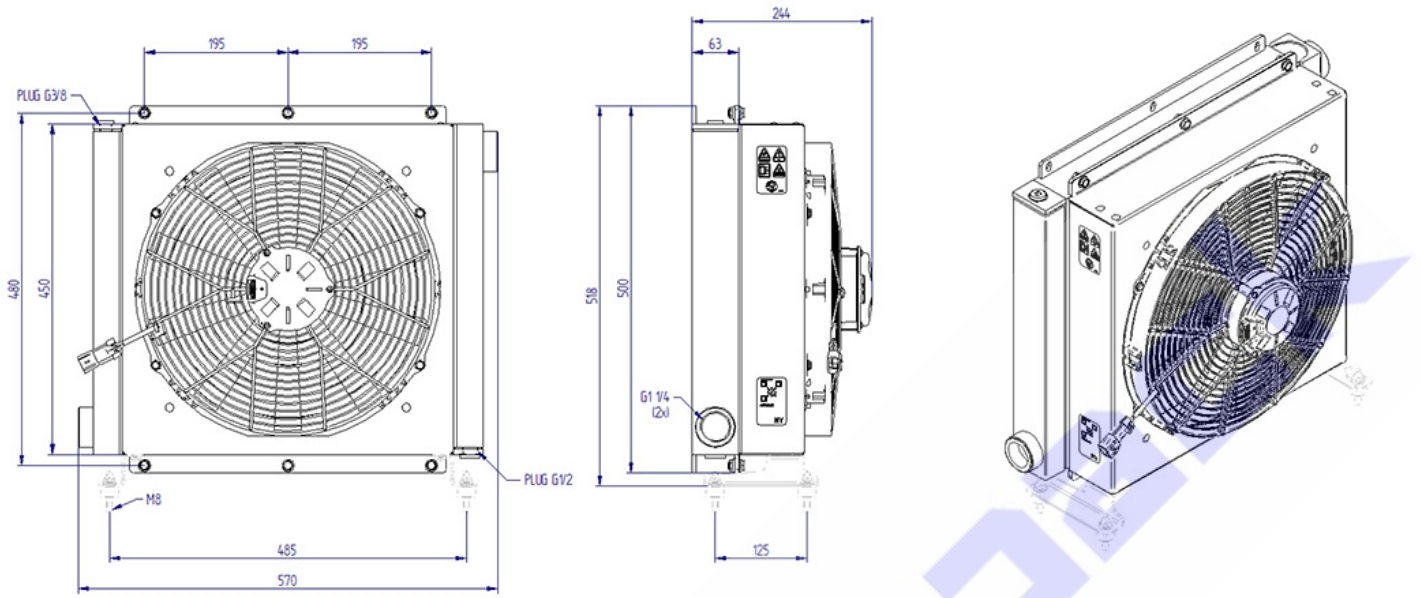
### Pressure drop



Oil T 80°C  
T Amb. 40°C

Viscosity - ISO VG 32 Oil					
Oil	22	32	46	68	150
Correction factor	0,8	1	1,2	1,6	3

## HY series HY05702

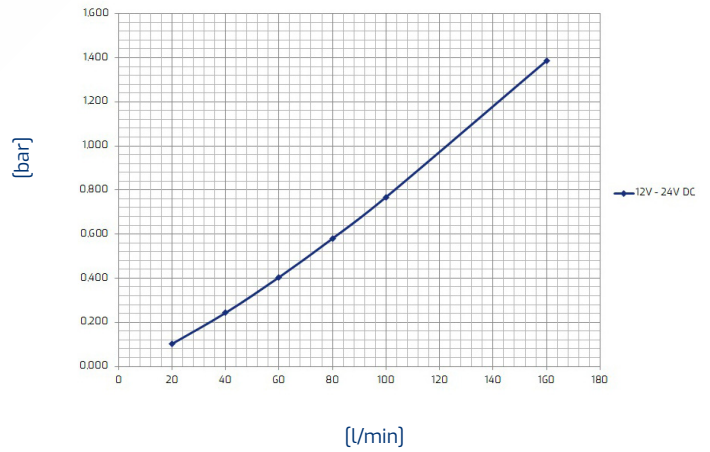
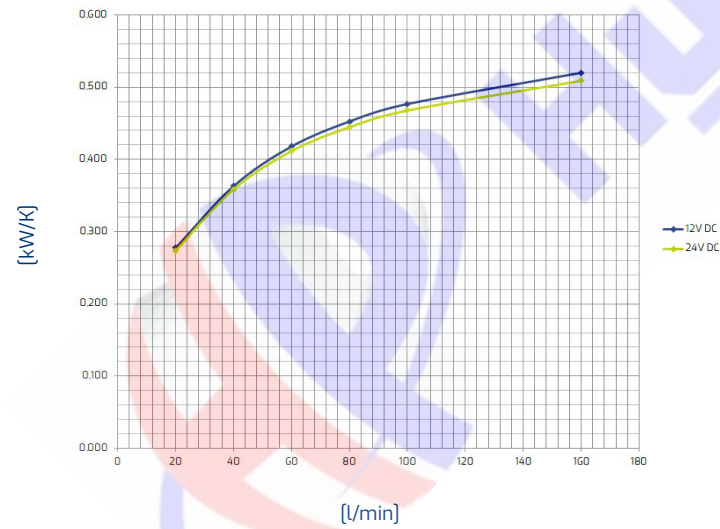


### Technical data

Item	Oil flow [l/min]	Capacity [l]	Weight [kg]	Rpm	Voltage [V]	Frequency [Hz]	Current absorption [A]	Power [W]	Ø Fan [mm]	Air flow [m³/h]	Noise level [db(A)]
<b>HY05702</b>	20-160	3,7	19		12		18,60	240	385	3260	72,4
<b>HY05704</b>	20-160	3,7	19		24		8,20	214	385	3390	72,2

### Performance

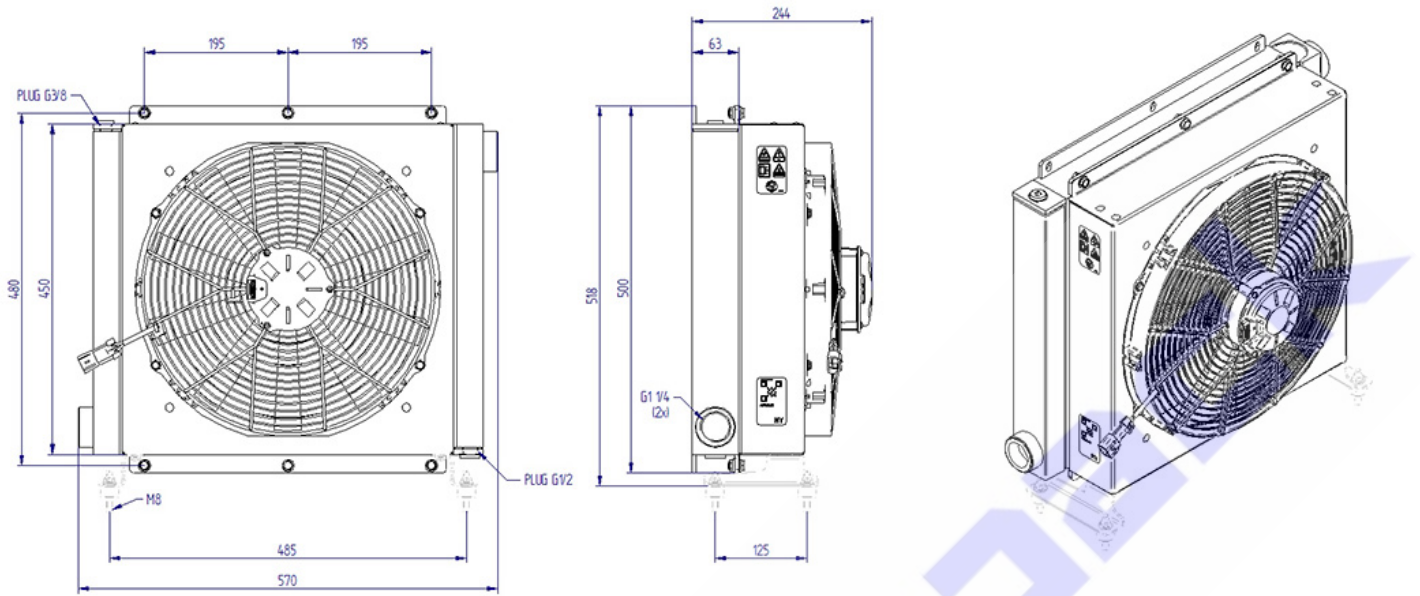
### Pressure drop



Oil T 80°C  
T Amb. 40°C

Viscosity - ISO VG 32 Oil					
Oil	22	32	46	68	150
Correction factor	0,8	1	1,2	1,6	3

## HY series HY05704

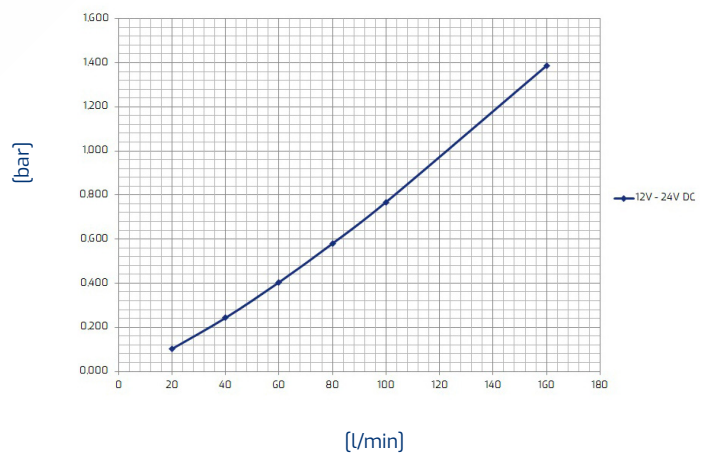
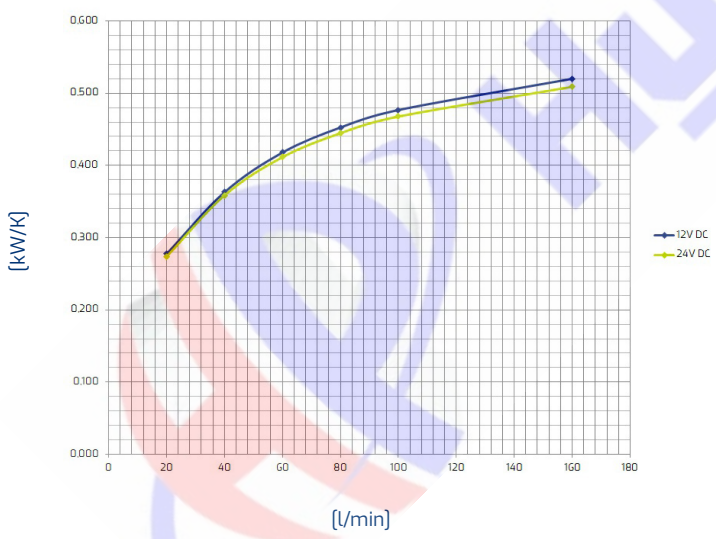


### Technical data

Item	Oil flow [l/min]	Capacity [l]	Weight [kg]	Rpm	Voltage [V]	Frequency [Hz]	Current absorption [A]	Power [W]	Ø Fan [mm]	Air flow [m³/h]	Noise level [db(A)]
<b>HY05702</b>	20-160	3,7	19		12		18,60	240	385	3260	72,4
<b>HY05704</b>	20-160	3,7	19		24		8,20	214	385	3390	72,2

### Performance

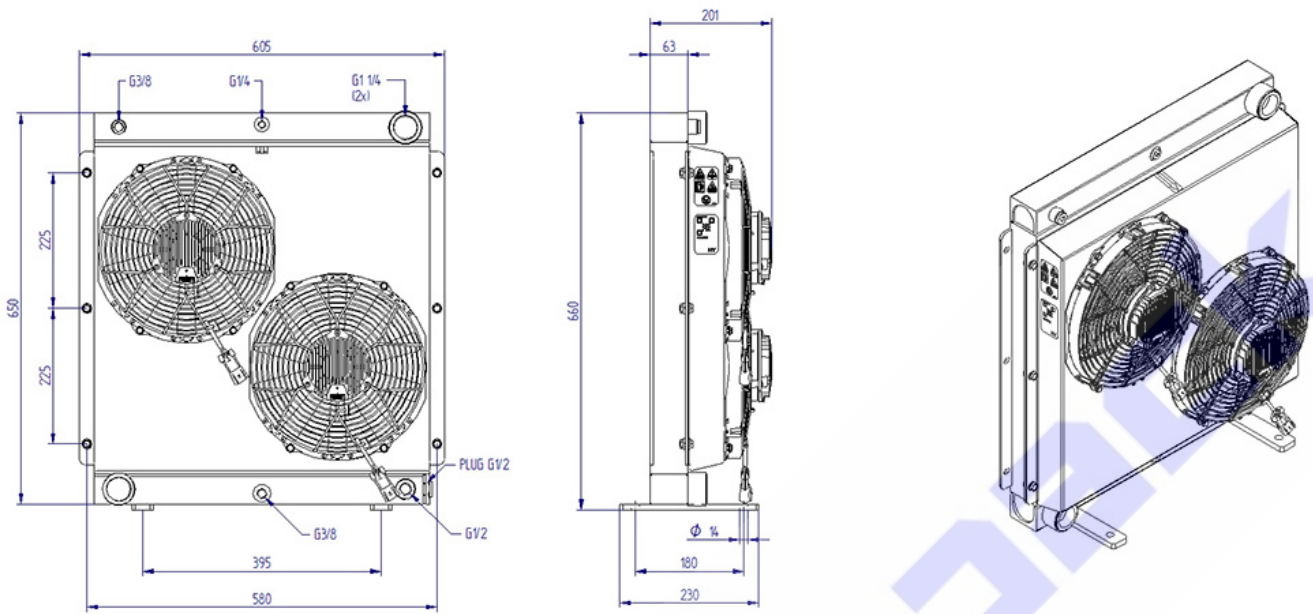
### Pressure drop



Oil T 80°C  
T Amb. 40°C

Viscosity - ISO VG 32 Oil					
Oil	22	32	46	68	150
Correction factor	0,8	1	1,2	1,6	3

## HY series HY09002

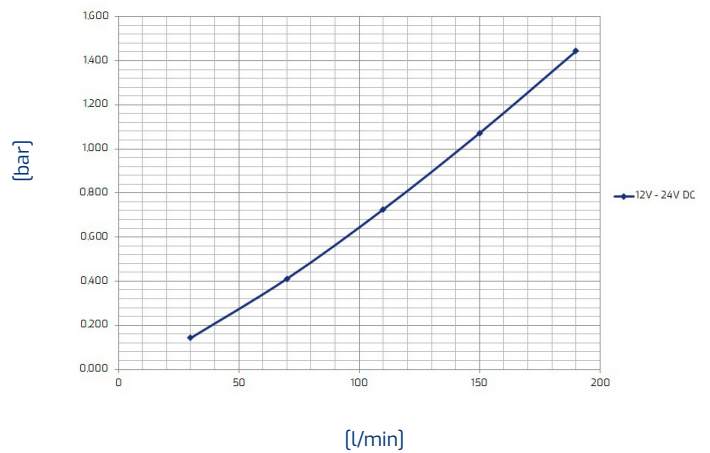
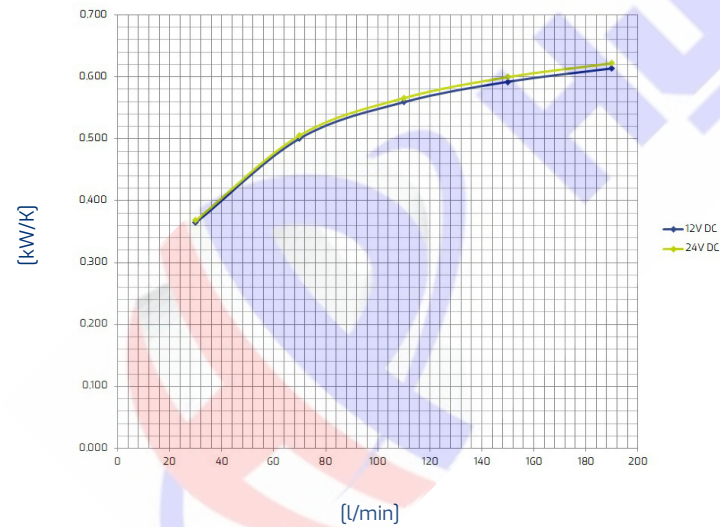


### Technical data

Item	Oil flow [l/min]	Capacity [l]	Weight [kg]	Rpm	Voltage [V]	Frequency [Hz]	Current absorption [A]	Power [W]	Ø Fan [mm]	Air flow [m³/h]	Noise level [db(A)]
<b>HY09002</b>	30-190	5,3	30,5		12		8,50 (x2)	110 (x2)	280	3380	76
<b>HY09004</b>	30-190	5,3	30,8		24		6,90 (x2)	179 (x2)	280	3390	75

### Performance

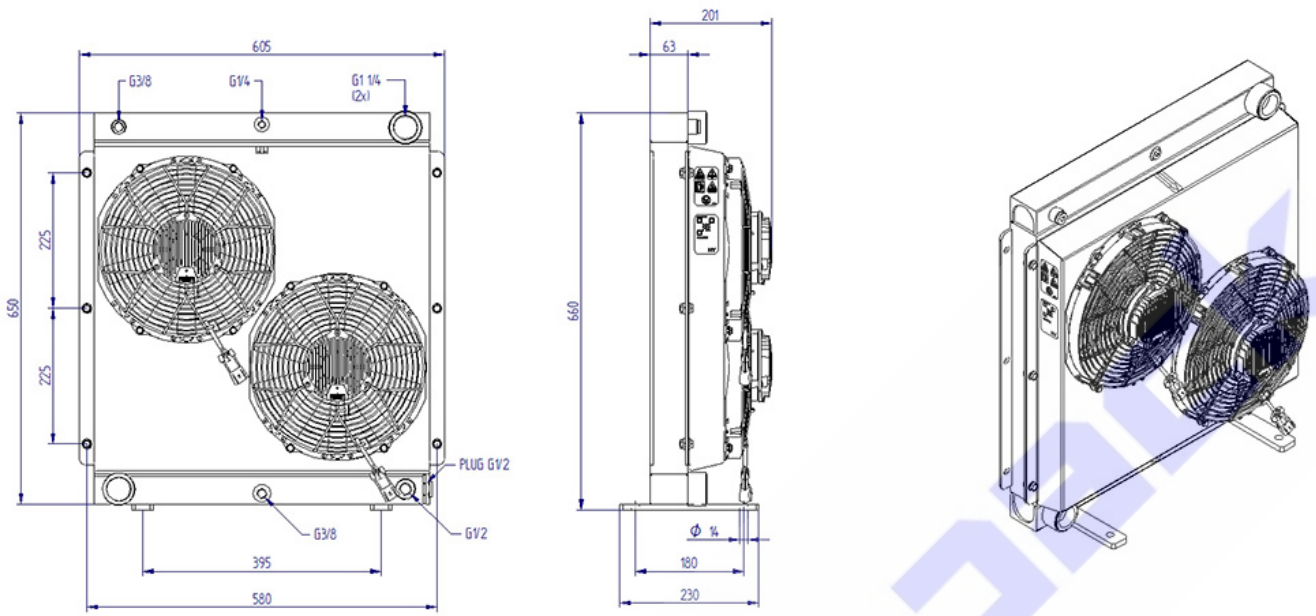
### Pressure drop



Oil T 80°C  
T Amb. 40°C

Viscosity - ISO VG 32 Oil					
Oil	22	32	46	68	150
Correction factor	0,8	1	1,2	1,6	3

## HY series HY09004

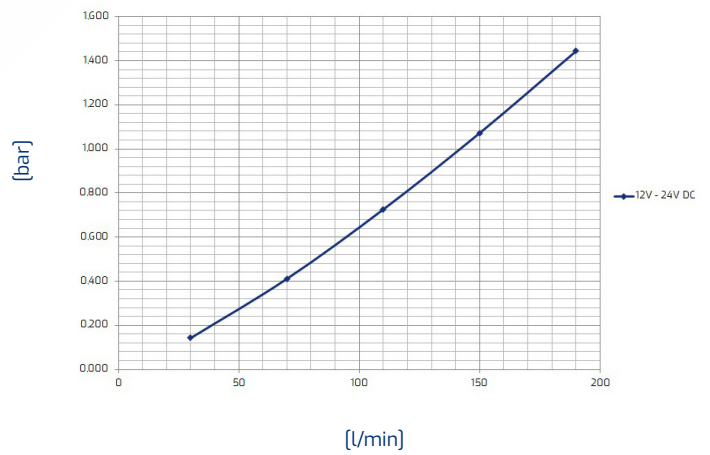
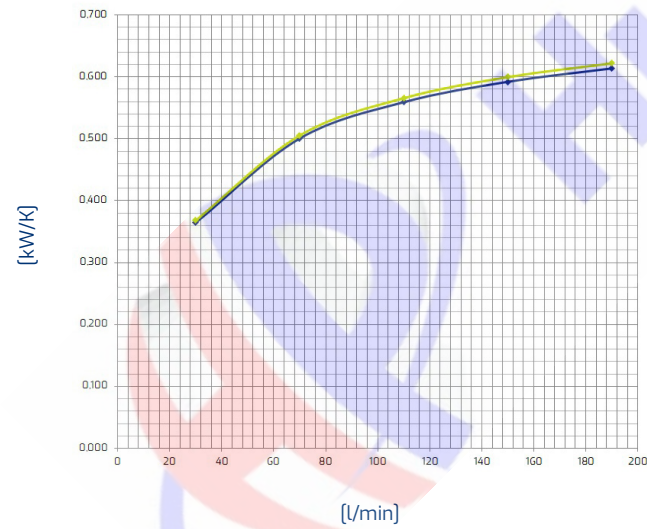


### Technical data

Item	Oil flow [l/min]	Capacity [l]	Weight [kg]	Rpm	Voltage [V]	Frequency [Hz]	Current absorption [A]	Power [W]	Ø Fan [mm]	Air flow [m³/h]	Noise level [db(A)]
<b>HY09002</b>	30-190	5,3	30,5		12		8,50 (x2)	110 (x2)	280	3380	76
<b>HY09004</b>	30-190	5,3	30,8		24		6,90 (x2)	179 (x2)	280	3390	75

### Performance

### Pressure drop



Oil T 80°C  
T Amb. 40°C

Viscosity - ISO VG 32 Oil					
Oil	22	32	46	68	150
Correction factor	0,8	1	1,2	1,6	3