

MPS series

Maximum working pressure up to 1.2 MPa (12 bar) - Flow rate up to 365 l/min



Spin-on filters

Maximum working pressure up to 1.2 MPa (12 bar)

Flow rate up to 365 l/min

MPS is a range of spin-on filters suitable to be used in suction, return and low pressure lines.

They offer a good balance between performances, dimensions and prices. They are directly connected to the lines of the system through the hydraulic fittings.

Available features:

- Female threaded connections up to 1 1/2" and flanged connections up to 1 1/2", for a maximum flow rate of 365 l/min
- Fine filtration rating, to get a good cleanliness level into the reservoir
- Water removal elements (CW), to remove the free water from the hydraulic fluid
- Double connection for the cans, to fit both European and American standard elements
- Double cans fitting, to increase the life time of the filter
- Bypass valve, to relieve excessive pressure drop across the filter media
- Visual, electrical and electronic clogging indicators for suction and return applications
- Visual, electrical and electronic differential clogging indicators for low pressure applications

Common applications:

- Suction lines, Return lines, Delivery lines, in economic industrial equipment or mobile machines.
- Off-line filtration tank in economic industrial equipment or mobile machines

Filter housing materials

- Head: Aluminium
- Bypass valve: Nylon - Steel
- Element: Zinc-Plated Steel - Painted Steel

Bypass valve

- Return filter opening pressure: 175 kPa (1.75 bar) $\pm 10\%$
- Suction filter opening pressure: 30 kPa (0.3 bar) $\pm 10\%$

Δp element type

- Δp : 5 bar
- Fluid flow through the filter element from OUT to IN

Seals

Standard NBR - series A

Temperature

From -20 °C to +110 °C

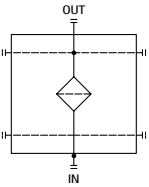
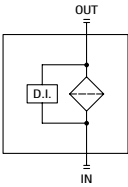
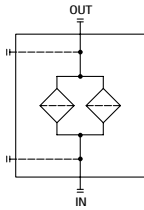
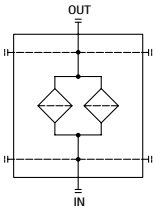
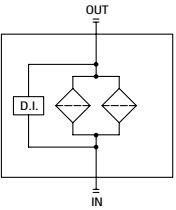
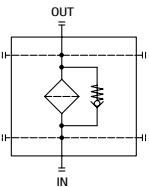
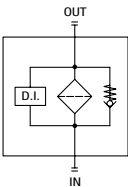
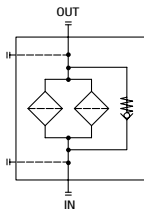
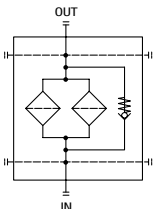
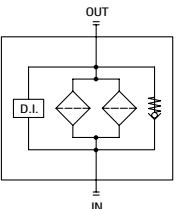
Note

MPS filters are provided for vertical mounting



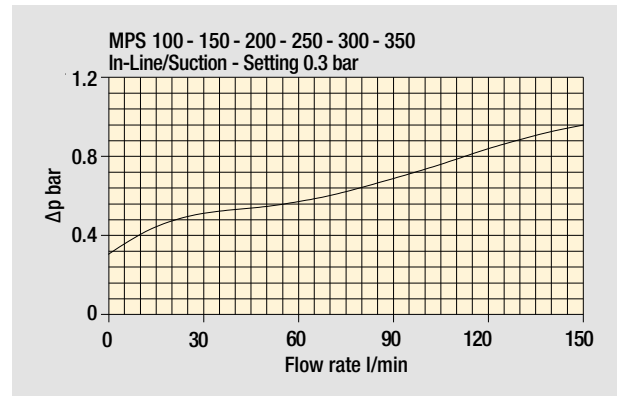
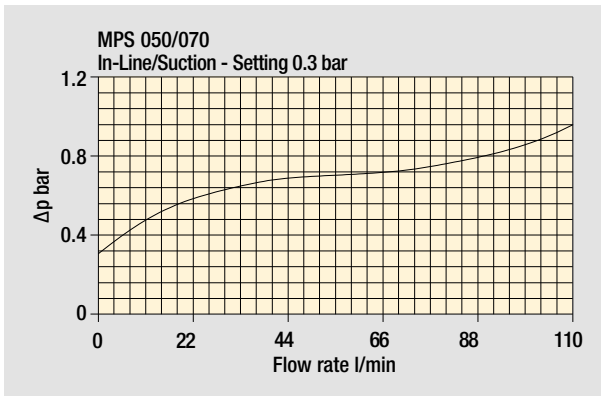
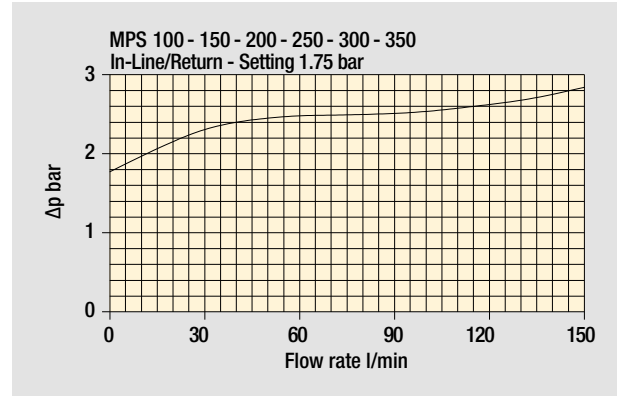
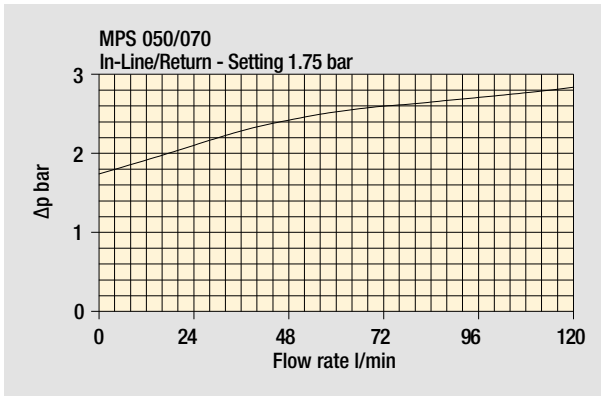
Weights [kg] and volumes [dm³]

Filter series	Weights [kg]	Volumes [dm ³]
MPS 050	1.00	0.70
MPS 051	1.05	0.70
MPS 070	1.20	0.95
MPS 071	1.25	0.95
MPS 100	2.10	1.65
MPS 101	2.20	1.65
MPS 150	2.40	2.00
MPS 151	2.50	2.00
MPS 200	3.90	3.00
MPS 250	4.60	3.70
MPS 300-301	5.30	3.40
MPS 350-351	6.00	4.10

Filter series					
MPS 050	•				
MPS 051		•			
MPS 070	•				
MPS 071		•			
MPS 100	•				
MPS 101		•			
MPS 150	•				
MPS 151		•			
MPS 200			•		
MPS 250			•		
MPS 300				•	
MPS 301				•	•
MPS 350				•	
MPS 351					•
	Style U/P	Style U/P	Style U	Style U/P	Style U/P
					
	Style R/S	Style R/S	Style R/S	Style R/S	Style R/S
					

Pressure drop

Bypass valve
pressure drop



The curves are plotted using mineral oil with density of 0.86 kg/dm³ in compliance with ISO 3968. Δp varies proportionally with density.

CS 050 - 070 - 100 - 150

CG - CW 050 - 070



CG - CW 100 - 150



CW

This series of cartridge removes water from oil while filtering the oil at the same time.

Water absorbent polymers up to 800 times their own weight provide this major feature.

Water holding capacities:
CW 050= 240 ml

Ordering code: **CW050P10AP01**

CW 150= 788 ml

Ordering code: **CW150P10AP01**

Thread connections

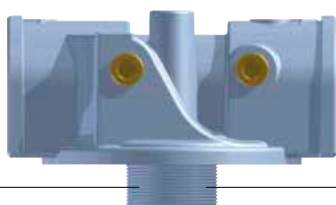
Element	Connection
CS 050 - 070	G 3/4"
CS 100 - 150	G 1 1/4"
CG / CW 050 - 070	1" - 12 UNF
CG / CW 100 - 150	1 1/2" - 16 UN

Water holding capacities CW

	good	poor
Viscosity	30/46 mm ² /s (cSt)	> 46 mm ² /s (cSt)
H₂O p.p.m.	600/800 p.p.m.	> 800 p.p.m.
Flow rate	CW050 7/15 l/min CW150 20/40 l/min	CW050 > 20 l/min CW150 > 50 l/min
Temperature	40/60 °C	< 30 °C

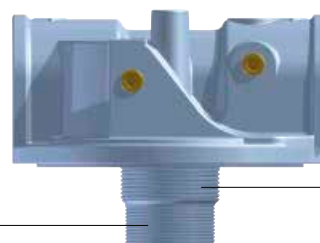
Heads

CG / CW
1" - 12 UNF



CS
G 3/4"

CG / CW
1 1/2" - 16 UN



CS
G 1 1/4"

MPS MPS050 - MPS070 MPS051 - MPS071

Designation & Ordering code

COMPLETE FILTER

Series and size

MPS050 | **MPS070** With connections for clogging indicators

MPS051 | **MPS071** With connections for differential indicators

Configuration example: **MPS050** **R** **G1** **A10** **A** **P01**

Bypass valve

	MPS 050 - 070	MPS 051 - 071
R Return: 1.75 bar	•	•
S Suction: 30 kPa	•	
U Without bypass	•	
P Without bypass		•

Connections

G1 G 3/4"
G2 3/4" NPT
G3 SAE 12 - 1 1/16" - 12 UN

Filtration rating (filter media)

A03 Inorganic microfiber 3 µm	M25 Wire mesh 25 µm
A06 Inorganic microfiber 6 µm	M60 Wire mesh 60 µm
A10 Inorganic microfiber 10 µm	M90 Wire mesh 90 µm
A25 Inorganic microfiber 25 µm	P10 Resin impregnated paper 10 µm
	P25 Resin impregnated paper 25 µm

Seal
A NBR

Execution
P01 MP Filtri standard

CARTRIDGE

Cartridge series and size

CS050 | **CS070**

Configuration example: **CS050** **A10** **A** **P01**

Filtration rating (filter media)

A03 Inorganic microfiber 3 µm	M25 Wire mesh 25 µm
A06 Inorganic microfiber 6 µm	M60 Wire mesh 60 µm
A10 Inorganic microfiber 10 µm	M90 Wire mesh 90 µm
A25 Inorganic microfiber 25 µm	P10 Resin impregnated paper 10 µm
	P25 Resin impregnated paper 25 µm

Seals
A NBR

Execution
P01 MP Filtri standard
Pxx Customized

ACCESSORIES

Clogging indicators on RETURN line

	page
BVA Axial pressure gauge	315
BVR Radial pressure gauge	315
BVP Visual pressure indicator with automatic reset	316
BVQ Visual pressure indicator with manual reset	316

	page
BEA Electrical pressure indicator	314
BEM Electrical pressure indicator	314
BLA Electrical / visual pressure indicator	314-315

Clogging indicators on SUCTION line

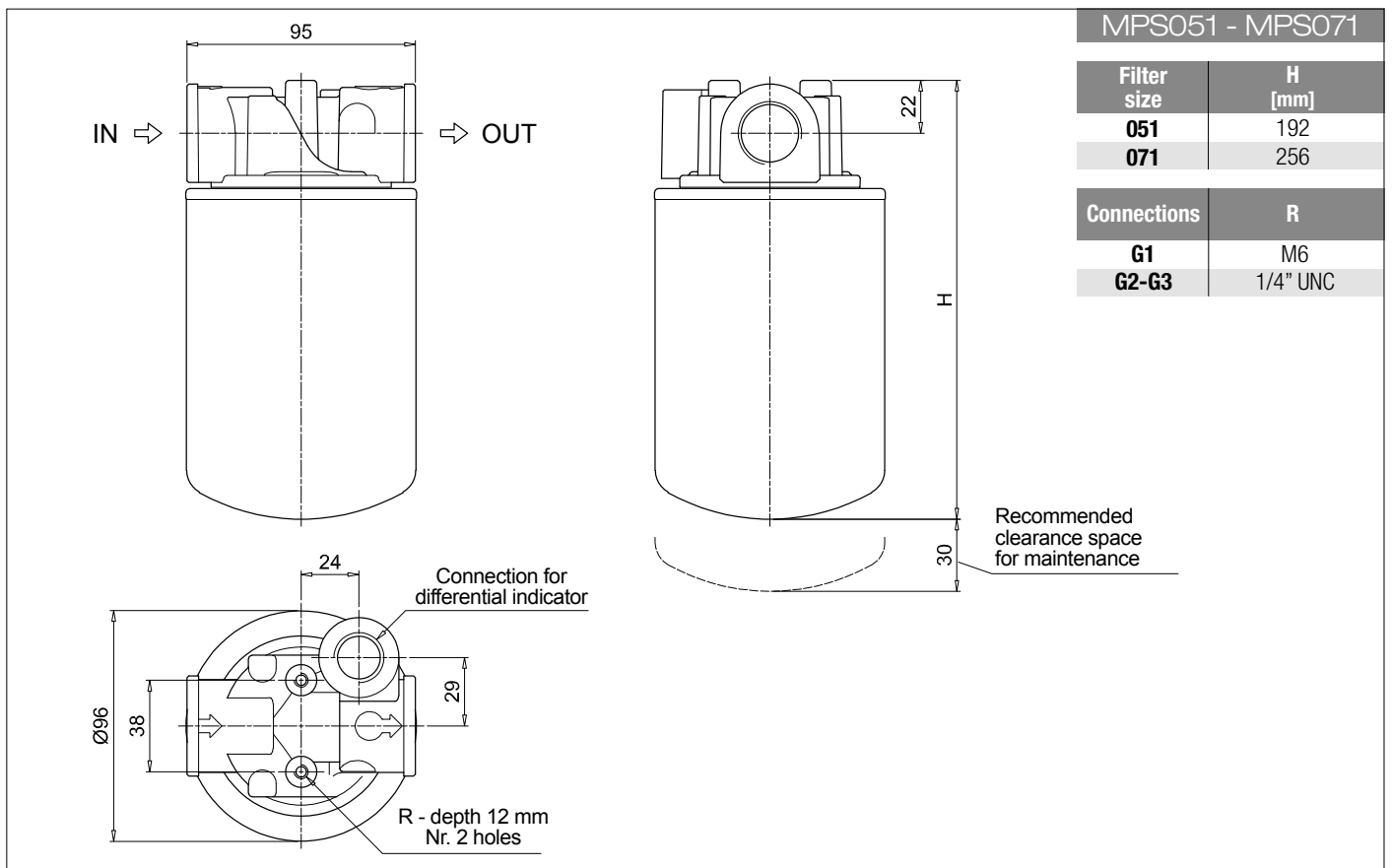
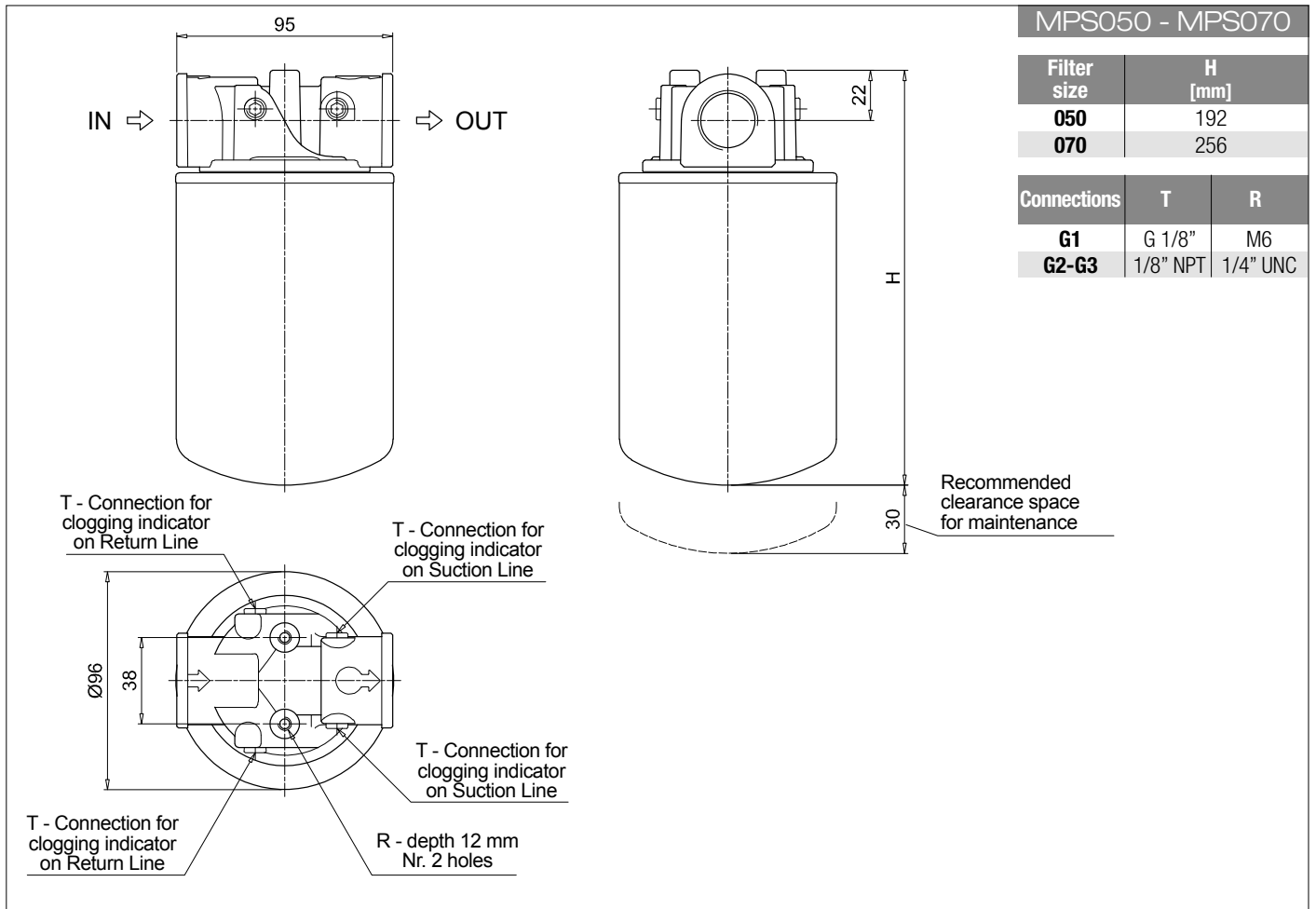
	page
VVB Axial pressure gauge	313
VVS Radial pressure gauge	313

	page
VEB Electrical vacuum indicator	312
VLB Electrical/visual vacuum indicator	312

Differential indicators

	page
DEA Electrical differential indicator	317
DEM Electrical differential indicator	317-318
DLA Electrical / visual differential indicator	318-319
DLE Electrical / visual differential indicator	319

	page
DTA Electronic differential indicator	320
DVA Visual differential indicator	320
DVM Visual differential indicator	320



MPS MPS100 - MPS150 MPS101 - MPS151

Designation & Ordering code

COMPLETE FILTER

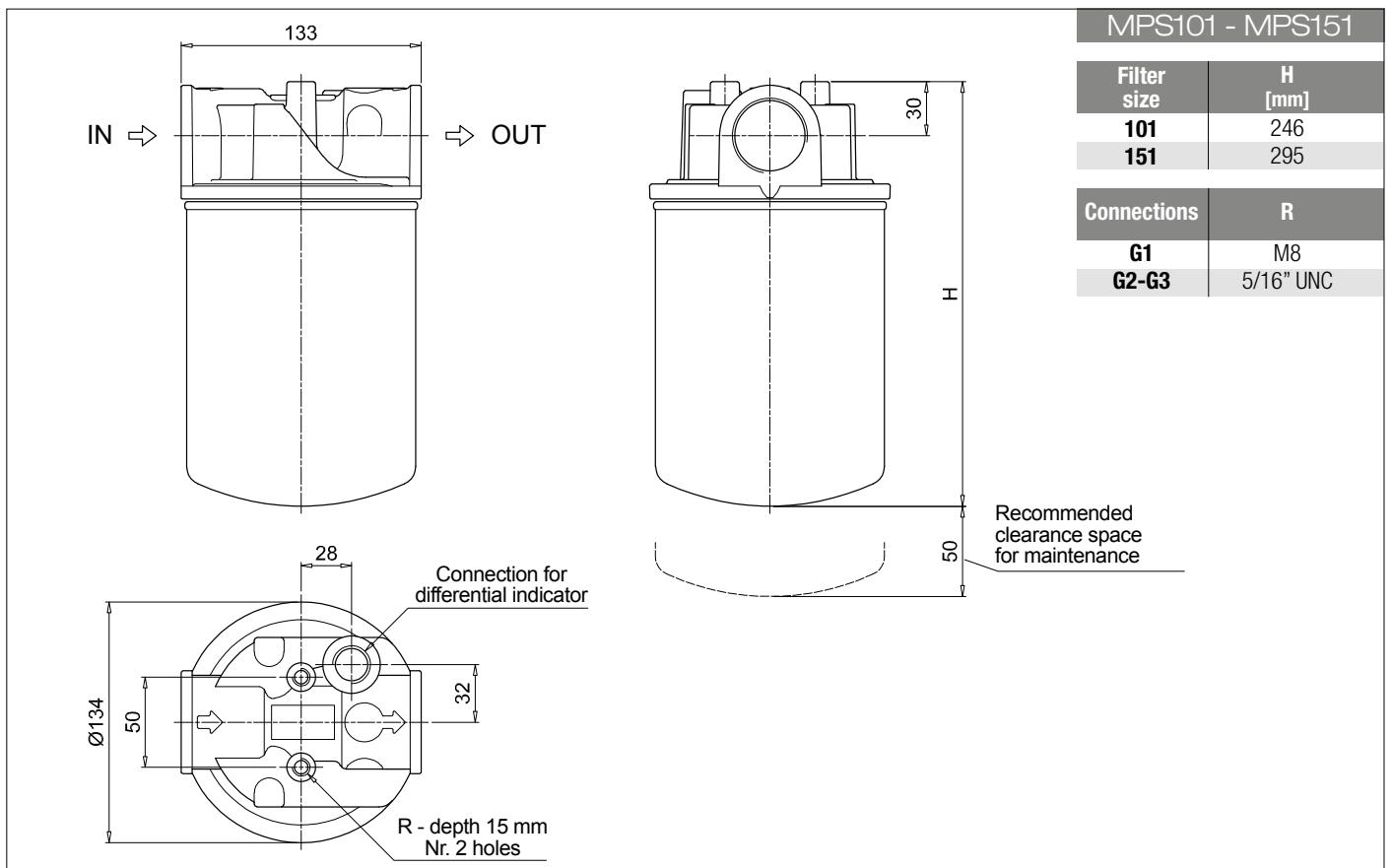
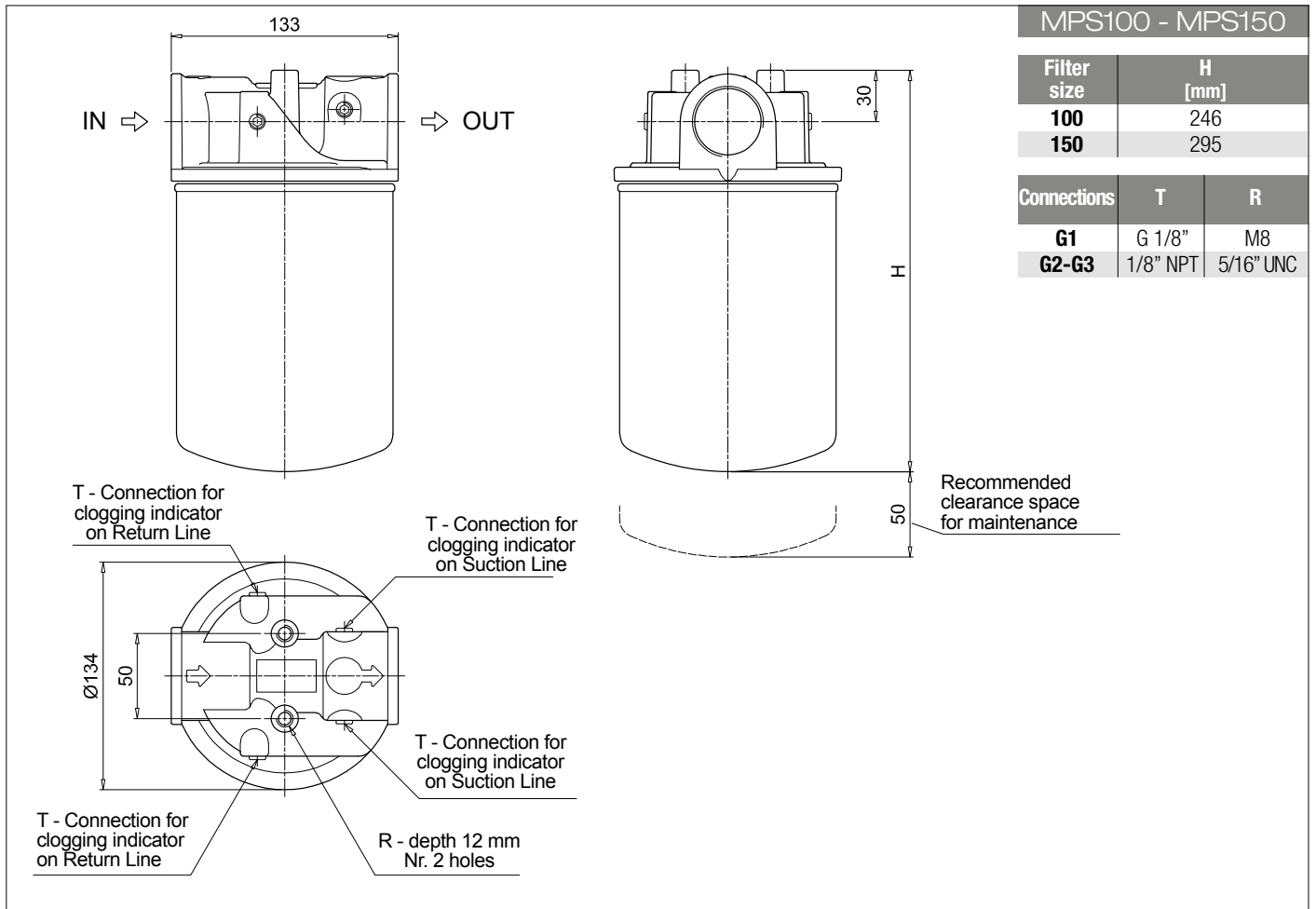
Series and size		Configuration example: MPS100 R G1 A10 A P01				
MPS100 MPS150	With connections for clogging indicators					
MPS101 MPS151	With connections for differential indicators					
Bypass valve		MPS 100 - 150	MPS 101 - 151			
R	Return: 1.75 bar	•	•			
S	Suction: 30 kPa	•				
U	Without bypass	•				
P	Without bypass		•			
Connections						
G1	G 1 1/4"					
G2	1 1/4" NPT					
G3	SAE 20 - 1 5/8" - 12 UN					
Filtration rating (filter media)						
A03	Inorganic microfiber 3 µm			M25	Wire mesh 25 µm	
A06	Inorganic microfiber 6 µm			M60	Wire mesh 60 µm	
A10	Inorganic microfiber 10 µm			M90	Wire mesh 90 µm	
A25	Inorganic microfiber 25 µm			P10	Resin impregnated paper 10 µm	
				P25	Resin impregnated paper 25 µm	
				Seal	A NBR	
				Execution	P01 MP Filtri standard	

CARTRIDGE

Cartridge series and size		Configuration example: CS100 A10 A P01			
CS100 CS150					
Filtration rating (filter media)					
A03	Inorganic microfiber 3 µm			M25	Wire mesh 25 µm
A06	Inorganic microfiber 6 µm			M60	Wire mesh 60 µm
A10	Inorganic microfiber 10 µm			M90	Wire mesh 90 µm
A25	Inorganic microfiber 25 µm			P10	Resin impregnated paper 10 µm
				P25	Resin impregnated paper 25 µm
				Seals	A NBR
				Execution	P01 MP Filtri standard Pxx Customized

ACCESSORIES

Clogging indicators on RETURN line		page			page
BVA	Axial pressure gauge	315	BEA	Electrical pressure indicator	314
BVR	Radial pressure gauge	315	BEM	Electrical pressure indicator	314
BVP	Visual pressure indicator with automatic reset	316	BLA	Electrical / visual pressure indicator	314-315
BVQ	Visual pressure indicator with manual reset	316			
Clogging indicators on SUCTION line		page			page
VVB	Axial pressure gauge	313	VEB	Electrical vacuum indicator	312
VVS	Radial pressure gauge	313	VLB	Electrical/visual vacuum indicator	312
Differential indicators		page			page
DEA	Electrical differential indicator	317	DTA	Electronic differential indicator	320
DEM	Electrical differential indicator	317-318	DVA	Visual differential indicator	320
DLA	Electrical / visual differential indicator	318-319	DVM	Visual differential indicator	320
DLE	Electrical / visual differential indicator	319			



MPS MPS200 - MPS250

Designation & Ordering code

COMPLETE FILTER

Series and size

MPS200 | **MPS250**

Configuration example: **MPS200** **R** **G1** **A10** **A** **P01**

Bypass valve

R Return: 1.75 bar

S Suction: 30 kPa

U Without bypass

Connections

G1 G 1 1/2"

G2 1 1/2" NPT

G3 SAE 24 - 1 7/8" - 12 UN

Filtration rating (filter media)

A03 Inorganic microfiber 3 µm

A06 Inorganic microfiber 6 µm

A10 Inorganic microfiber 10 µm

A25 Inorganic microfiber 25 µm

M25 Wire mesh 25 µm

M60 Wire mesh 60 µm

M90 Wire mesh 90 µm

P10 Resin impregnated paper 10 µm

P25 Resin impregnated paper 25 µm

Seal

A NBR

Execution

P01 MP Filtri standard

CARTRIDGE

Cartridge series and size

CS100 | **CS150**

Configuration example: **CS100** **A10** **A** **P01**

Filtration rating (filter media)

A03 Inorganic microfiber 3 µm

A06 Inorganic microfiber 6 µm

A10 Inorganic microfiber 10 µm

A25 Inorganic microfiber 25 µm

M25 Wire mesh 25 µm

M60 Wire mesh 60 µm

M90 Wire mesh 90 µm

P10 Resin impregnated paper 10 µm

P25 Resin impregnated paper 25 µm

Seals

A NBR

Execution

P01 MP Filtri standard

Pxx Customized

ACCESSORIES

Clogging indicators on RETURN line

BVA Axial pressure gauge 315

BVR Radial pressure gauge 315

BVP Visual pressure indicator with automatic reset 316

BVQ Visual pressure indicator with manual reset 316

BEA Electrical pressure indicator 314

BEM Electrical pressure indicator 314

BLA Electrical / visual pressure indicator 314-315

Clogging indicators on SUCTION line

VVB Axial pressure gauge 313

VVS Radial pressure gauge 313

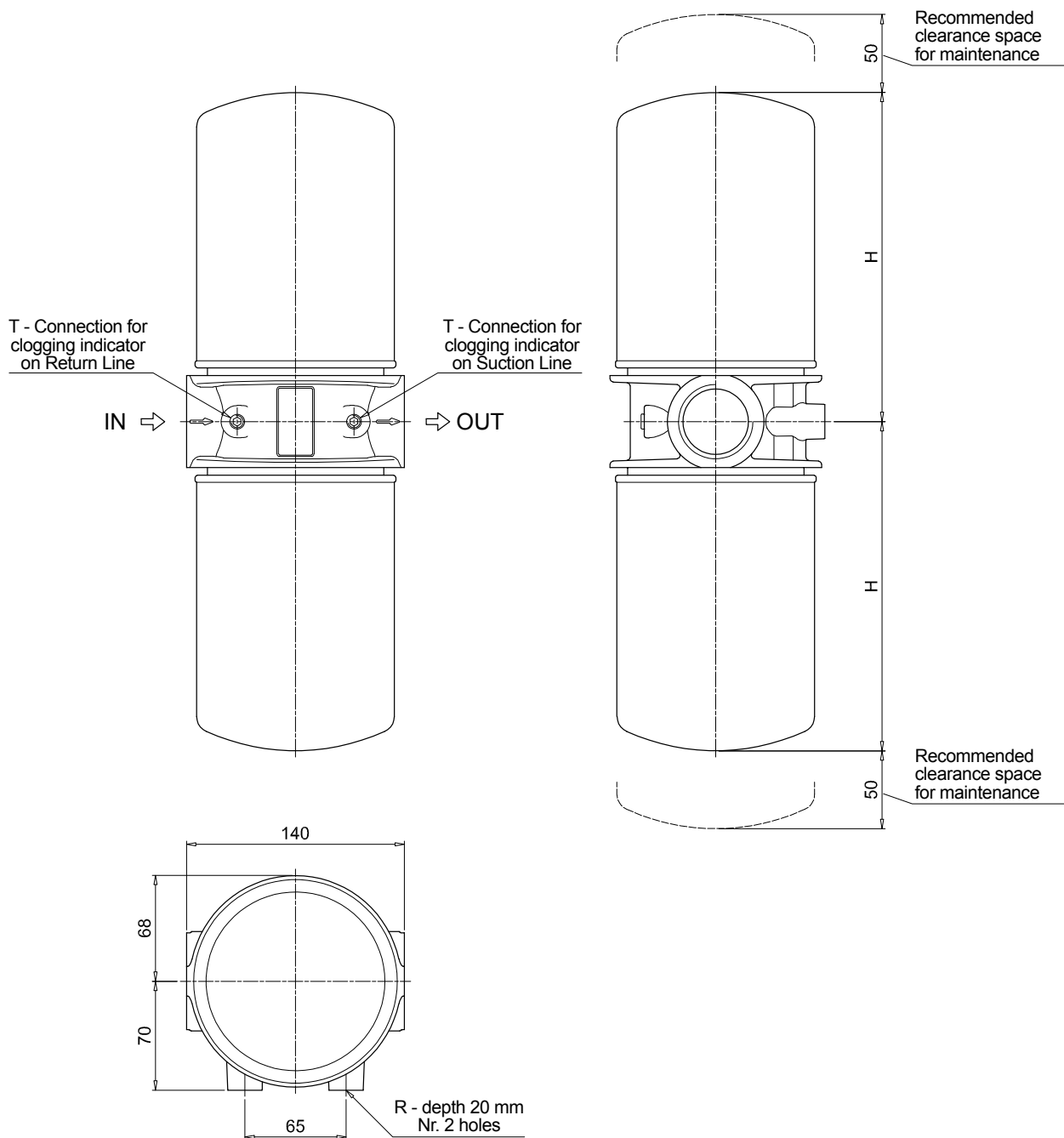
VEB Electrical vacuum indicator 312

VLB Electrical/visual vacuum indicator 312

MPS200 - MPS250

Filter size	H [mm]
200	213
250	262

Connections	T	R
G1	G 1/8"	M10
G2-G3	1/8" NPT	7/16" UNC



MPS MPS300 - MPS350 MPS301 - MPS351

Designation & Ordering code

COMPLETE FILTER

Series and size

MPS300 | **MPS350** With connections for clogging indicators

MPS301 | **MPS351** With connections for differential indicators

Configuration example: **MPS300** **R** **F1** **A10** **A** **P01**

Bypass valve

	MPS 300 - 350	MPS 301 - 351
R Return: 1.75 bar	•	•
S Suction: 30 kPa	•	
U Without bypass	•	
P Without bypass		•

Connections

G1 G 1 1/2"
G2 1 1/2" NPT
G3 SAE 24 - 1 7/8" - 12 UN
F1 1 1/2" SAE 3000 psi/M
F2 1 1/2" SAE 3000 psi/UNC

Filtration rating (filter media)

A03 Inorganic microfiber 3 µm	M25 Wire mesh 25 µm
A06 Inorganic microfiber 6 µm	M60 Wire mesh 60 µm
A10 Inorganic microfiber 10 µm	M90 Wire mesh 90 µm
A25 Inorganic microfiber 25 µm	P10 Resin impregnated paper 10 µm
	P25 Resin impregnated paper 25 µm

Seal
A NBR

Execution
P01 MP Filtri standard

CARTRIDGE

Cartridge series and size

CS100 | **CS150**

Configuration example: **CS100** **A10** **A** **P01**

Filtration rating (filter media)

A03 Inorganic microfiber 3 µm	M25 Wire mesh 25 µm
A06 Inorganic microfiber 6 µm	M60 Wire mesh 60 µm
A10 Inorganic microfiber 10 µm	M90 Wire mesh 90 µm
A25 Inorganic microfiber 25 µm	P10 Resin impregnated paper 10 µm
	P25 Resin impregnated paper 25 µm

Seals
A NBR

Execution
P01 MP Filtri standard
Pxx Customized

ACCESSORIES

Clogging indicators on RETURN line

	page
BVA Axial pressure gauge	315
BVR Radial pressure gauge	315
BVP Visual pressure indicator with automatic reset	316
BVQ Visual pressure indicator with manual reset	316

	page
BEA Electrical pressure indicator	314
BEM Electrical pressure indicator	314
BLA Electrical / visual pressure indicator	314-315

Clogging indicators on SUCTION line

	page
VVB Axial pressure gauge	313
VVS Radial pressure gauge	313

	page
VEB Electrical vacuum indicator	312
VLB Electrical/visual vacuum indicator	312

Differential indicators

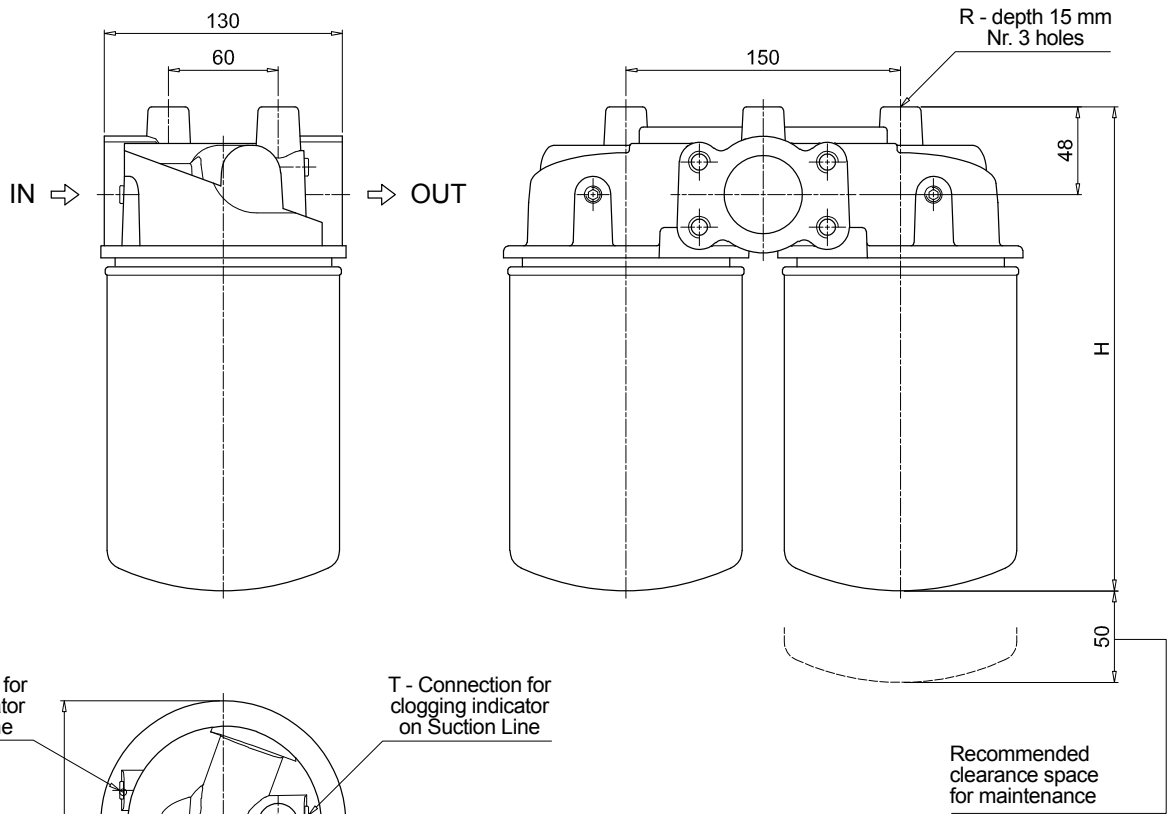
	page
DEA Electrical differential indicator	317
DEM Electrical differential indicator	317-318
DLA Electrical / visual differential indicator	318-319
DLE Electrical / visual differential indicator	319

	page
DTA Electronic differential indicator	320
DVA Visual differential indicator	320
DVM Visual differential indicator	320

MPS300 - MPS350

Filter size	H [mm]
300	266
350	315

Connections	T	R
G1	G 1/8"	M10
G2-G3	1/8" NPT	7/16" UNC
F1	G 1/8"	M10
F2	1/8" NPT	7/16" UNC



MPS MPS300 - MPS350 MPS301 - MPS351

Dimensions

MPS301 - MPS351

Filter size	H [mm]
301	266
351	315

Connections	R
G1	M10
G2-G3	7/16" UNC
F1	M10
F2	7/16" UNC

