

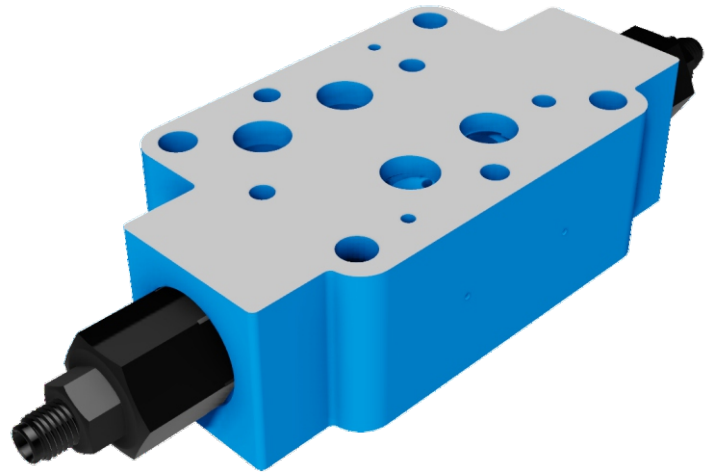


VALVOLE DI FLUSSO

Z2FS16

MODULAR THROTTLE/CHECK VALVES

Z2FS16 SERIES MODULAR THROTTLE/CHECK VALVES ARE USED TO RESTRICT FLOW IN ONE DIRECTION WHILE ALLOWING FREE-FLOW IN THE OPPOSITE DIRECTION AS CHECK VALVES.

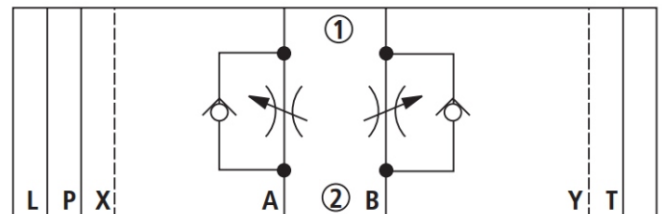
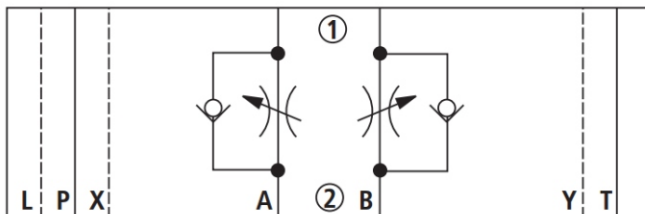


TECHNICAL DATA

SIZE	16
OPERATING PRESSURE (MPA)	35
MAX. FLOW RATE (L/MIN)	250
FLUID TEMPERATURE (°C)	-30 - 80
WEIGHT (KG)	4.7
VALVE BODY (MATERIAL)	CASTING PHOSPHATING SURFACE

SCHEMES

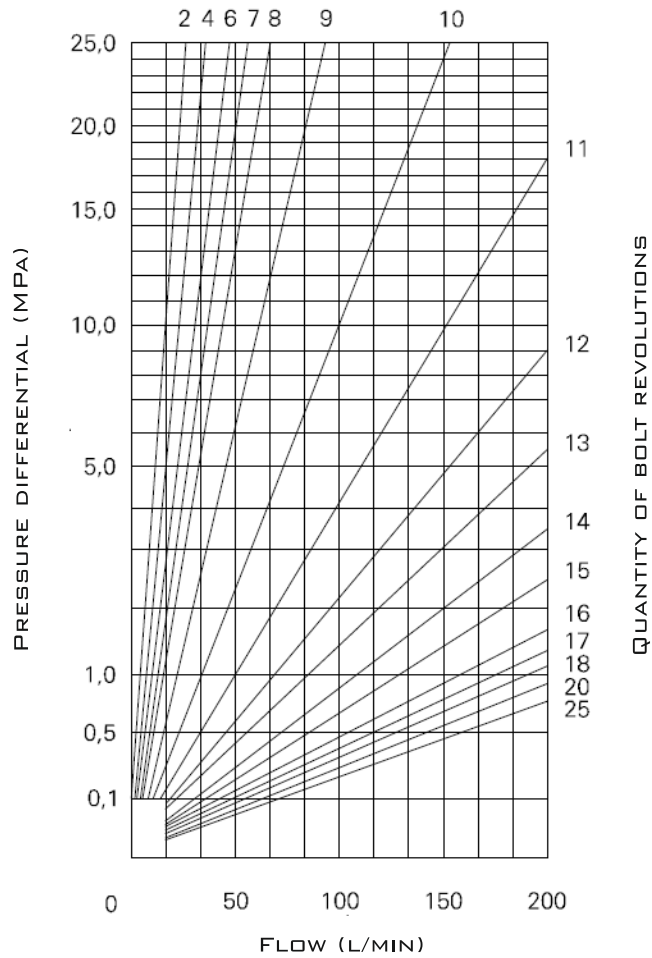
1=COMPONENT SIDE, 2=PLATE SIDE



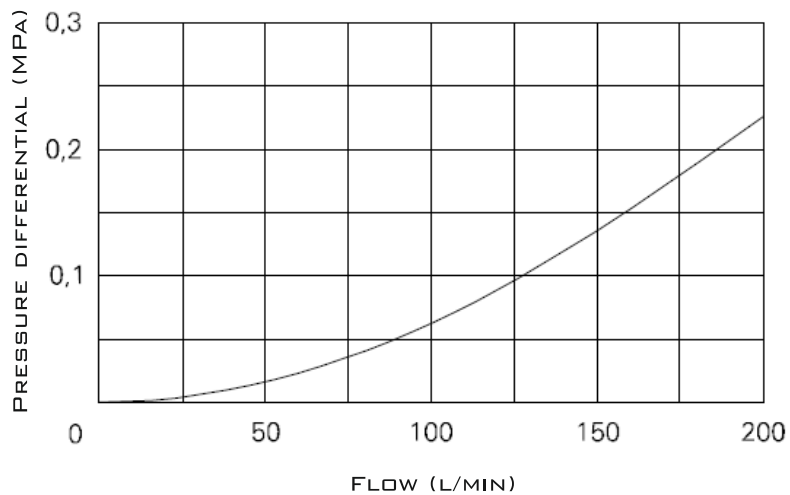


**CHARACTERISTIC CURVES**

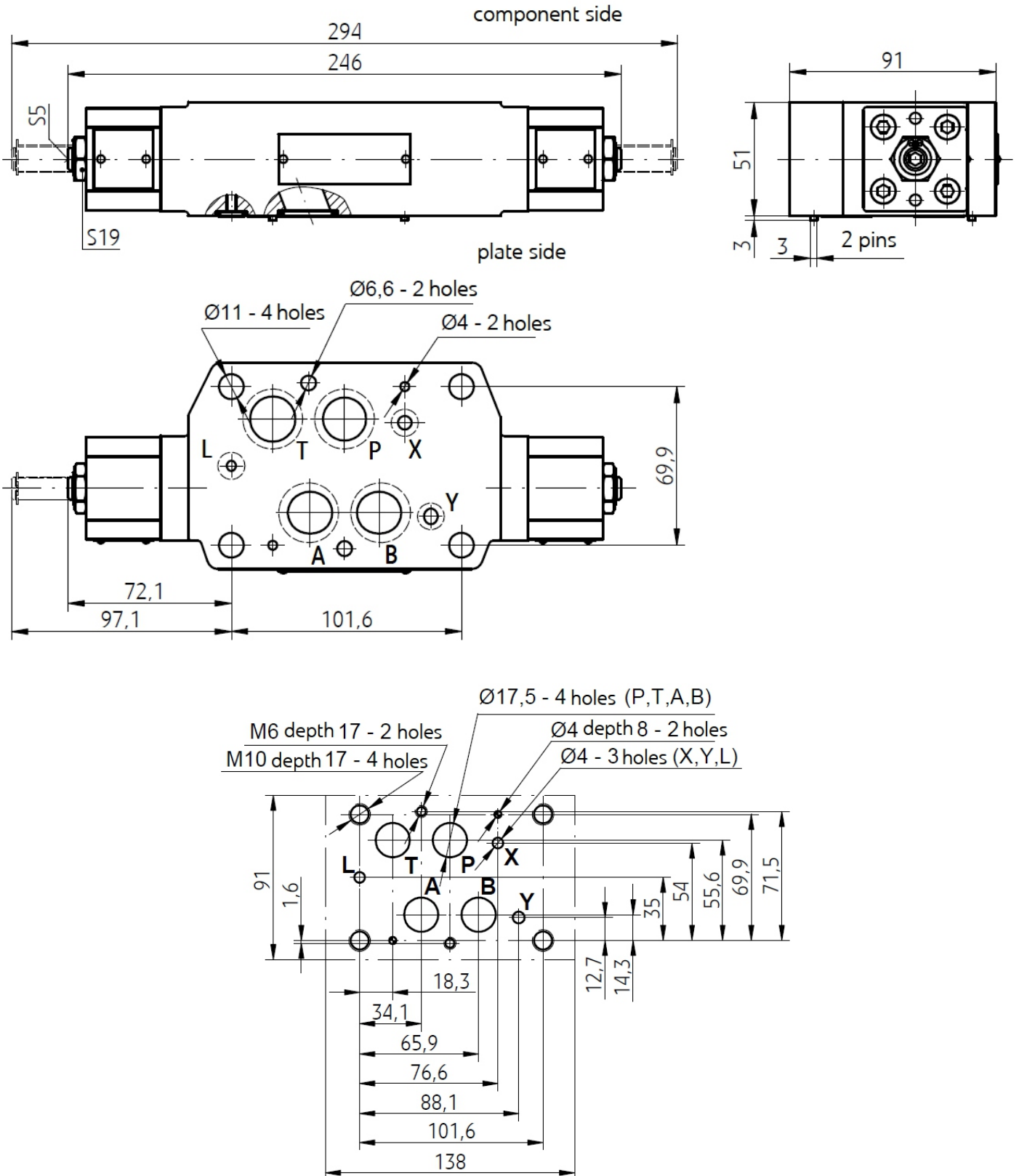
THROTTLE SETTING (ADJUSTMENT SCREW TURNS)



FLOW RESISTANCE CURVE FOR THE CHECK VALVE



SUBPLATE INSTALLATION DIMENSIONS



**Z2FS16**

VALVOLE DI FLUSSO



MODULAR THROTTLE/CHECK VALVES

**ORDER CODE**

Z2FS	16				
------	----	--	--	--	--

16=16 SIZE

3X=30-39 SERIES

S=INPUT THROTTLE  
S2=OUTPUT THROTTLE

ADDITIONAL REMARKS

NO CODE=NBR SEALS  
V=FKM SEALS