

POMPE A PISTONI PISTON PUMPS

2

Piston pumps / Series FOX / FOX 34-108

FOX

CODICE DI ORDINAZIONE / ORDERING CODE

201 **FX** 034 **D** **S** **SE**

TIPO / TYPE
POMPA A PISTONI / PISTON PUMP

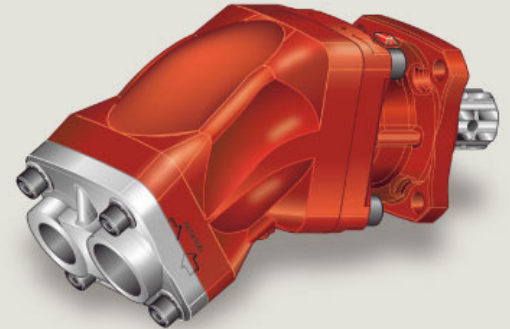
CILINDRATA / DISPLACEMENT

DIN 5462
ROTAZIONE / ROTATION
D = DESTRO / CLOCKWISE
S = SINISTRO / ANTICLOCKWISE

DIN
5 4 6 2
SE

FOX 34
FOX 47
FOX 64
FOX 84
FOX 108

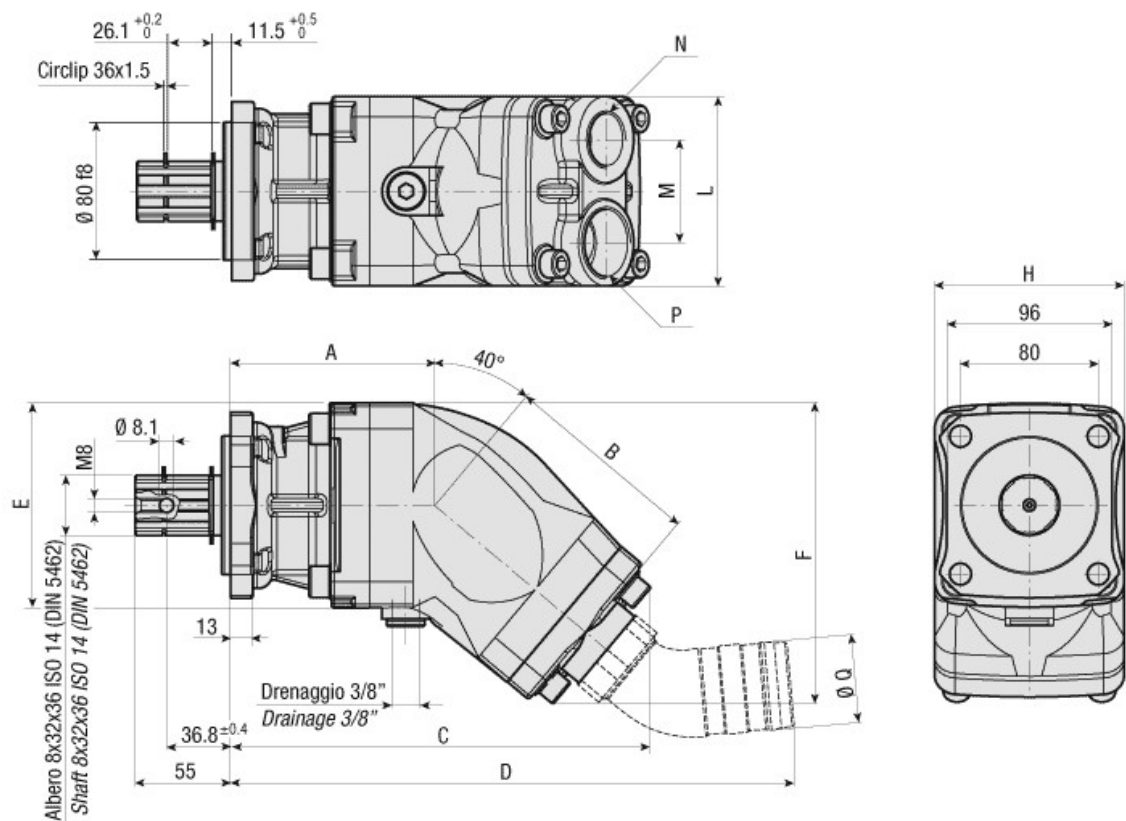
Pompa a Pistoni
Piston Pump



Piston Pump
Bent-axis MONODIRECTIONAL

SPECIFICATIONS AND TECHNICAL DATA

TYPE	CODE	A mm	B mm	C mm	D mm	E mm	F mm	G mm	H mm	L mm	M mm	OUTLET	INLET P	INLET Q mm	WEIGHT kg
FOX 34	201FX034DSE	109	113	220	308	107	157	107,5	102	95	46	3/4" G	1" G	45	10,5
	201FX034SSE														
FOX 47	201FX047DSE	109	113	220	308	107	157	107,5	102	95	46	3/4" G	1" G	45	10,5
	201FX047SSE														
FOX 64	201FX064DSE	118	128	240	328	118	173	107,5	110	110	60	1" G	1" 1/4 G	51	13,5
	201FX064SSE														
FOX 84	201FX084DSE	118	128	240	328	118	173	107,5	110	110	60	1" G	1" 1/4 G	51	13,5
	201FX084SSE														
FOX 108	201FX108DSE	118	128	240	328	118	173	107,5	110	110	60	1" G	1" 1/4 G	51	13,5
	201FX108SSE														



TYPE	CODE	DISPLACEMENT cm ³	MAX CONTINUOUS OPERATING PRESSURE bar	MAX PEAK PRESSURE (P<= 0.1S) bar	MAX INTERMITTENT SPEED (P<=20 BAR) n/min r.p.m.	MAX CONTINUOUS SPEED (<=P1) n/min r.p.m.	MIN INTERMITTENT SPEED (<=P2X0.5) (MAX 30S) n/min r.p.m.
FOX 34	201FX034DSE	34,6	450	500	3000	2300	300
	201FX034SSE						
FOX 47	201FX047DSE	47,39	450	500	2500	1900	300
	201FX047SSE						
FOX 64	201FX064DSE	64,08	450	500	2500	1900	300
	201FX064SSE						
FOX 84	201FX084DSE	84,38	400	450	2000	1600	300
	201FX084SSE						
FOX 108	201FX108DSE	107,7	350	400	2000	1500	300
	201FX108SSE						

TYPE	CODE	INLET PRESSURE (ABSOLUTE) bar	OPERATING VISCOSITY RANGE cST	OPTIMAL VISCOSITY RANGE cST	MAX VISCOSITY AT START-UP cST	FLUID TEMPERATURE °C
FOX 34	201FX034DSE	0,7 ÷ 1,5	9 ÷ 75	15 ÷ 46	1000	-25 ÷ 80
	201FX034SSE					
FOX 47	201FX047DSE	0,7 ÷ 1,5	9 ÷ 75	15 ÷ 46	1000	-25 ÷ 80
	201FX047SSE					
FOX 64	201FX064DSE	0,7 ÷ 1,5	9 ÷ 75	15 ÷ 46	1000	-25 ÷ 80
	201FX064SSE					
FOX 84	201FX084DSE	0,7 ÷ 1,5	9 ÷ 75	15 ÷ 46	1000	-25 ÷ 80
	201FX084SSE					
FOX 108	201FX108DSE	0,7 ÷ 1,5	9 ÷ 75	15 ÷ 46	1000	-25 ÷ 80
	201FX108SSE					