



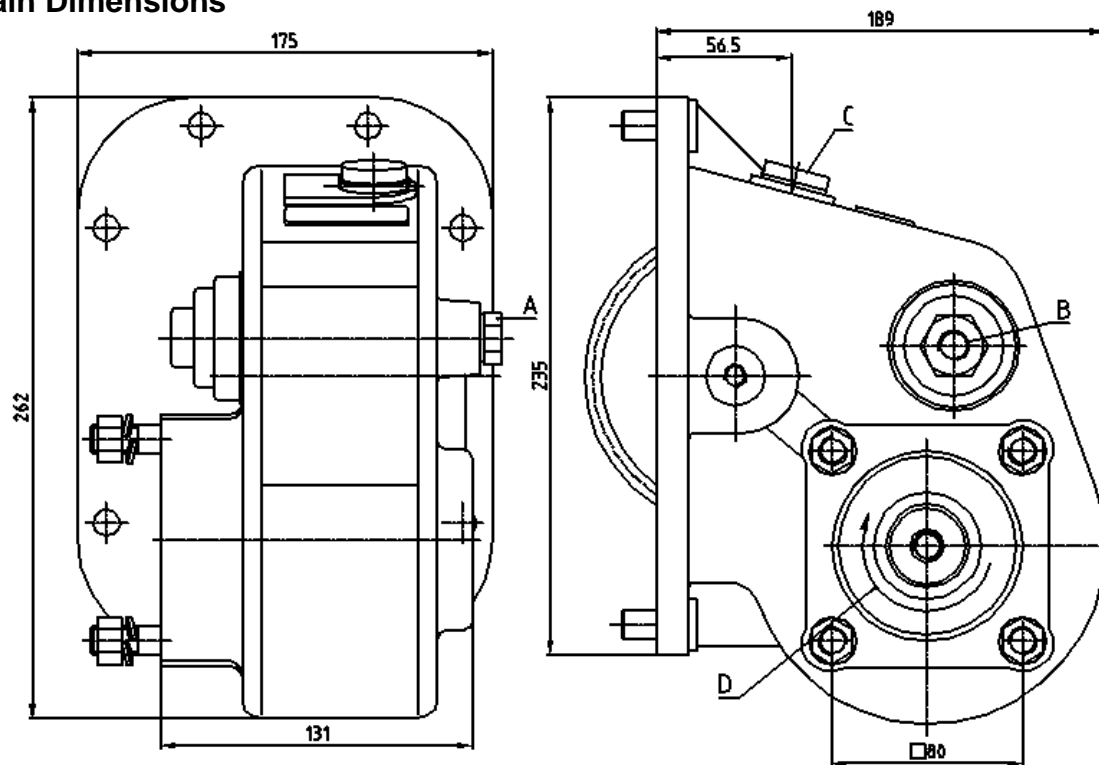
Power Take Offs

Ref. TF10007P

SCANIA

GRS 890 ; GRS 900 ; GRS 920 ; GRS 900R ; GRSH 900

Main Dimensions



- A – Option: Electric sensor with mechanical driving Ref. TF10007PS or TF10007PC
- B – Air connection
- C – Backlash check plug
- D – Pump rotation

(Dimensions in mm)

Main Data

Continuous Torque (Nm)	380
Intermittent Torque (Nm)	530
Power (at 1000 rpm)	53 cv / 39 kW
Mounting Position	Right
Pump Rotation	Left Hand
Weight (kg)	17,5
PTO internal ratio	1:1,19
Indicative ratio from motor to PTO's output	High - 1:1,45 Normal - 1:1,20

CTI TF10007P 1211-2

ABER is constantly engaged in improving its products and, therefore, reserves itself the right to modify without any further notice the characteristics shown. The gear boxes are in constant change; therefore, ABER is not to be held responsible for any damage resulting from wrong application or application of outdated material.



ABER - Embraiaçens e Comandos Hidráulicos - A. B. LDA

Rua Francisco de Almeida, Nº 30 – Vila Nova da Telha – 4470 MAIA - Portugal

Telephone: +351.22.9438070 Fax: +351.22.9420823 e-mail: aber@aber.pt <http://www.aber.pt>