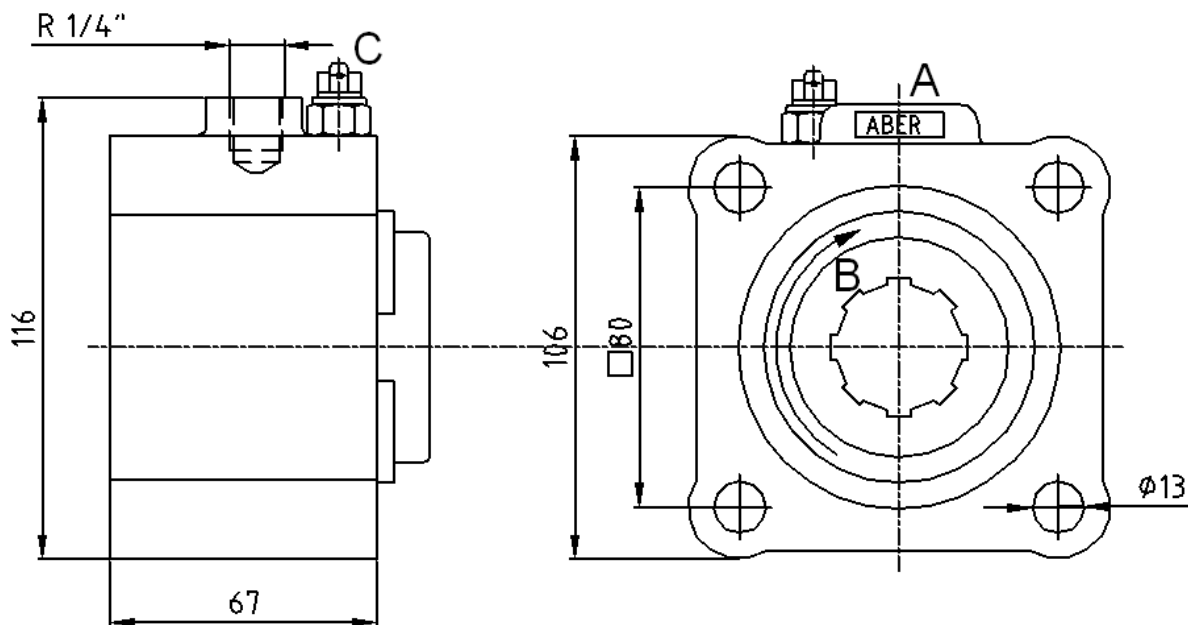




Power Take Offs		Ref. TF4002SP
Relation 1 : 1		
ZF	S5-50 ; S5-90 ; S6-65 ; S6-66 ; S6-70 ; S6-75 ; S6-80 ; S6-90 ; 6S-800 ; 6S-1000	

To apply with Gear Pumps or Piston Pumps

Main Dimensions



- A – Air connection
- B – Pump rotation
- C – Option: Electric sensor with mechanical driving Ref. TF4002SPS or TF4002SPC

(Dimensions in mm)

Main Data

Continuous Torque (Nm)	300
Intermittent Torque (Nm)	420
Power (at 1000 rpm)	42 cv / 32 kW
Mounting Position	Rear
Pump Rotation	Left Hand
Weight (kg)	4
PTO internal ratio	1:1
Indicative ratio from motor to PTO's output	
S5-50 / 5.30	.- 1 : 0.653
/ 5.50	.- 1 : 0.615
/ 6.20	.- 1 : 0.545
/ 6.61	.- 1 : 0.510
/ 6.61+GV80 / 5.30	High:.- 1 : 0.637 Normal:.- 1 : 0.510
/ 8.02	.- 1 : 0.422
/ 8.02+GV80 / 6.20	High:.- 1 : 0.545 Normal:.- 1 : 0.421

CTI TF4002SP 1211-4

ABER is constantly engaged in improving its products and, therefore, reserves itself the right to modify without any further notice the characteristics shown. The gear boxes are in constant change; therefore, ABER is not to be held responsible for any damage resulting from wrong application or application of outdated material.



ABER - Embraigens e Comandos Hidráulicos - A. B. LDA
 Rua Francisco de Almeida, Nº 30 – Vila Nova da Telha – 4470 MAIA - Portugal
 Telephone: +351.22.9438070 Fax: +351.22.9420823 e-mail: aber@aber.pt <http://www.aber.pt>



Power Take Offs Relation 1 : 1		Ref. TF4002SP
ZF	S5-50 ; S5-90 ; S6-65 ; S6-66 ; S6-70 ; S6-75 ; S6-80 ; S6-90 ; 6S-800 ; 6S-1000	

Engine to PTO ratio		
S5-90 GPA	- 1 : 0.890	
S6-65 / 6.37	- 1 : 0.650	
/ 6.70	- 1 : 0.620	
/ 7.00+GV70 / 7.67	High: - 1 : 0.456	Normal: - 1 : 0.365
/ 7.40	- 1 : 0.562	
/ 7.52	- 1 : 0.555	
/ 9.00	- 1 : 0.462	
/ 7.97+GV80 / 6.70	High: - 1 : 0.620	Normal: - 1 : 0.525
/ 9.00+GV80 / 6.70	High: - 1 : 0.620	Normal: - 1 : 0.462
/ 9.00+GV80 / 7.52	High: - 1 : 0.554	Normal: - 1 : 0.462
S6-66 / 7.36-1.0	- 1 : 0.522	
/ 9.06-1.0	- 1 : 0.416	
S6-70 / 6.80	- 1 : 0.514	
/ 6.80+GV70 / 5.71	High: - 1 : 0.612	Normal: - 1 : 0.514
/ 7.36	- 1 : 0.478	
/ 7.92	- 1 : 0.441	
/ 9.03	- 1 : 0.387	
/ 9.59	- 1 : 0.365	
S6-75 / 6.70+GV80 / 7.52	Normal: - 1 : 0.620	Low: - 1 : 0.554
S6-80 / 5.03	- 1 : 0.780	
/ 5.66	- 1 : 0.740	
/ 5.66+GV80 / 7.52	High: - 1 : 0.738	Normal: - 1 : 0.556
/ 6.10	- 1 : 0.688	
/ 6.70	- 1 : 0.620	
/ 6.70+GV80 / 5.30	High: - 1 : 0.787	Normal: - 1 : 0.620
/ 6.90	- 1 : 0.515	
/ 7.35	- 1 : 0.552	
/ 7.41	- 1 : 0.563	
/ 7.53	- 1 : 0.555	
/ 7.67	- 1 : 0.540	
/ 7.67+GV80 / 6.70	High: - 1 : 0.622	Normal: - 1 : 0.543
/ 7.90	- 1 : 0.525	
/ 9.00	- 1 : 0.460	
/ 9.00+GV80 / 5.30	High: - 1 : 0.787	Normal: - 1 : 0.462
/ 9.00+GV80 / 7.48	High: - 1 : 0.562	Normal: - 1 : 0.462
/ 9.00+GV80 / 7.52	High: - 1 : 0.554	Normal: - 1 : 0.462
S6-90 / 5.67	- 1 : 0.750	
/ 5.74	- 1 : 0.740	
/ 6.37	- 1 : 0.740	
/ 6.98	- 1 : 0.612	
/ 7.03	- 1 : 0.603	
/ 7.03+GV90 / 5.67	High: - 1 : 0.750	Normal: - 1 : 0.603
/ 7.03+GV90 / 5.74	High: - 1 : 0.735	Normal: - 1 : 0.600
/ 7.40	- 1 : 0.575	
/ 9.01	- 1 : 0.470	
/ 9.01+GV90 / 7.40	High: - 1 : 0.573	Normal: - 1 : 0.471

CTI TF4002SP 1211-4

ABER is constantly engaged in improving its products and, therefore, reserves itself the right to modify without any further notice the characteristics shown. The gear boxes are in constant change; therefore, ABER is not to be held responsible for any damage resulting from wrong application or application of outdated material.



ABER - Embraiaçgens e Comandos Hidráulicos - A. B. LDA

Rua Francisco de Almeida, Nº 30 – Vila Nova da Telha – 4470 MAIA - Portugal

Telefone: +351.22.9438070 Fax: +351.22.9420823 e-mail: aber@aber.pt <http://www.aber.pt>