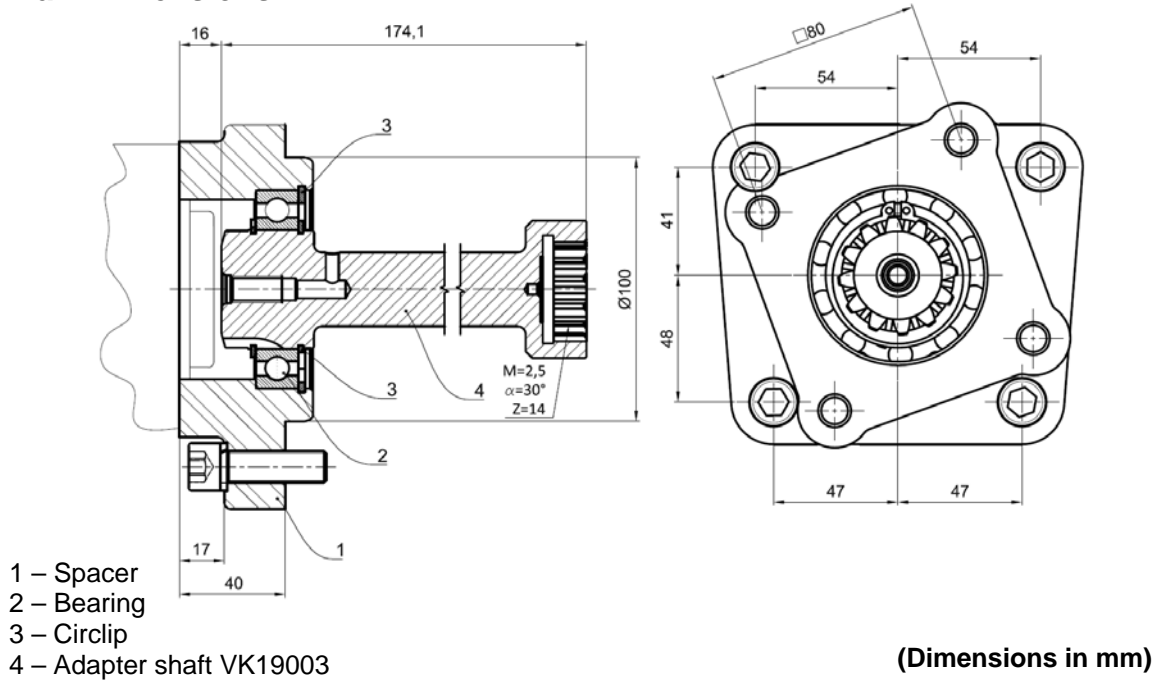




Main Dimensions



Main Data

Continuous Torque (Nm)	588
Intermittent Torque (Nm)	820
Power (at 1000 rpm)	84 hp / 62 kW
Weight (kg)	4,5
Engine-Kit adapter ratio	

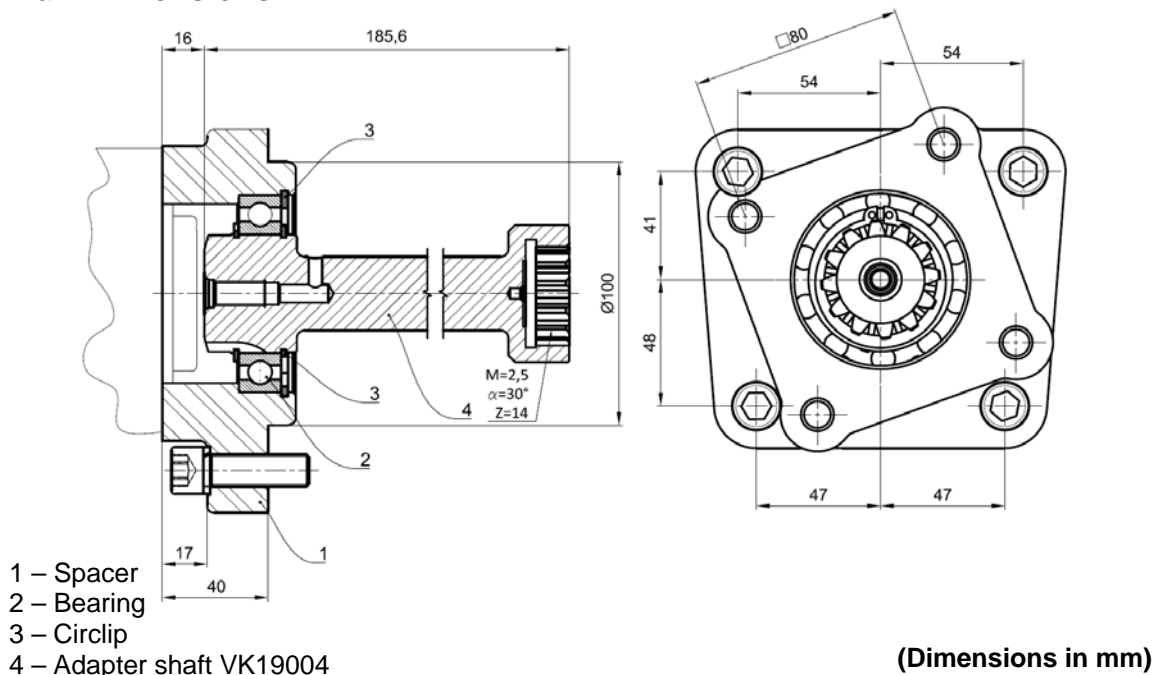
CTI VK19003 1207-0

ABER is constantly engaged in improving its products and, therefore, reserves itself the right to modify without any further notice the characteristics shown. The gear boxes are in constant change; therefore, ABER is not to be held responsible for any damage resulting from wrong application or application of outdated material.





Main Dimensions



Main Data

Continuous Torque (Nm)	588
Intermittent Torque (Nm)	820
Power (at 1000 rpm)	84 hp / 62 kW
Weight (kg)	4,7
Engine-Kit adapter ratio	

CTI VK19004 1207-0

ABER is constantly engaged in improving its products and, therefore, reserves itself the right to modify without any further notice the characteristics shown. The gear boxes are in constant change; therefore, ABER is not to be held responsible for any damage resulting from wrong application or application of outdated material.

