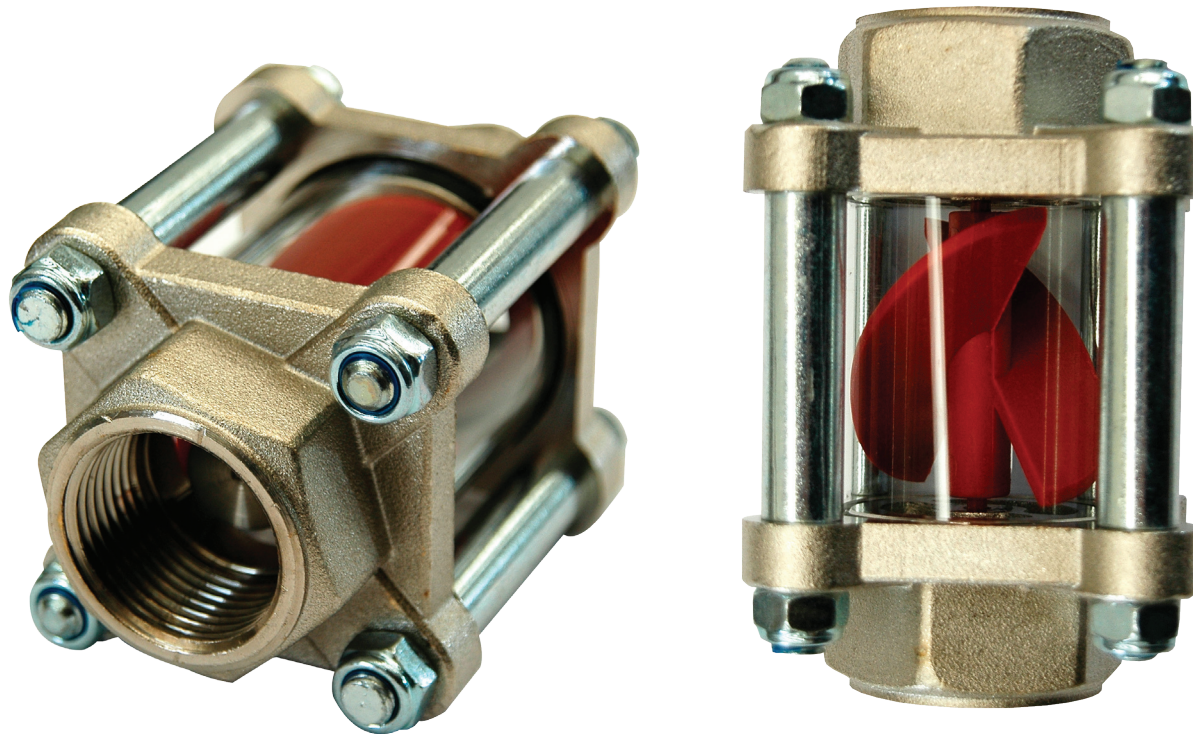


SCF

PROPELLER CONTROLS



FLOWSWITCH

Accuracy and reliability to view and track the passage of fluids.

SCF

PROPELLER CONTROLS

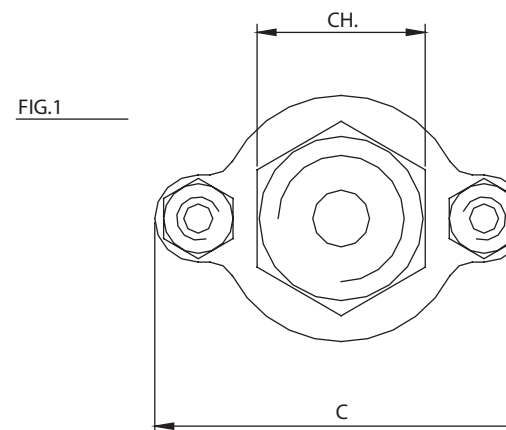
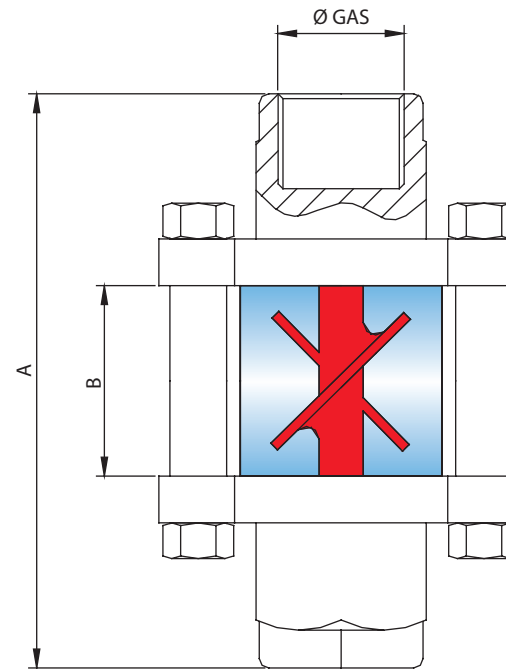
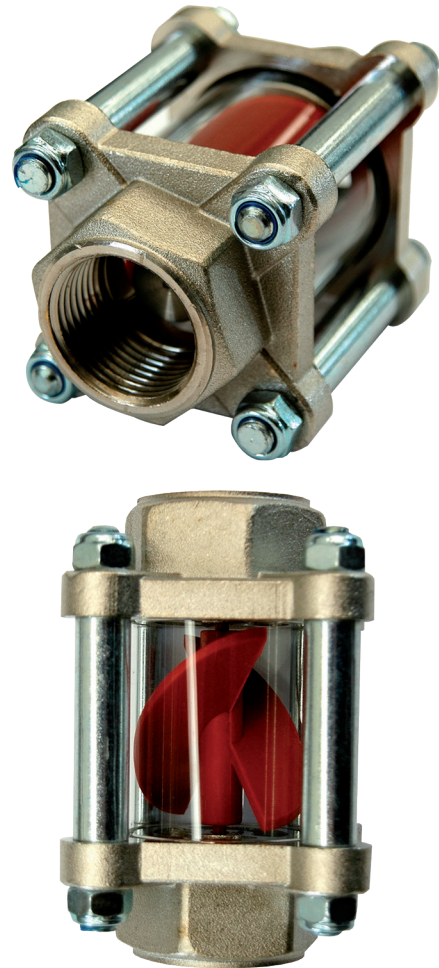
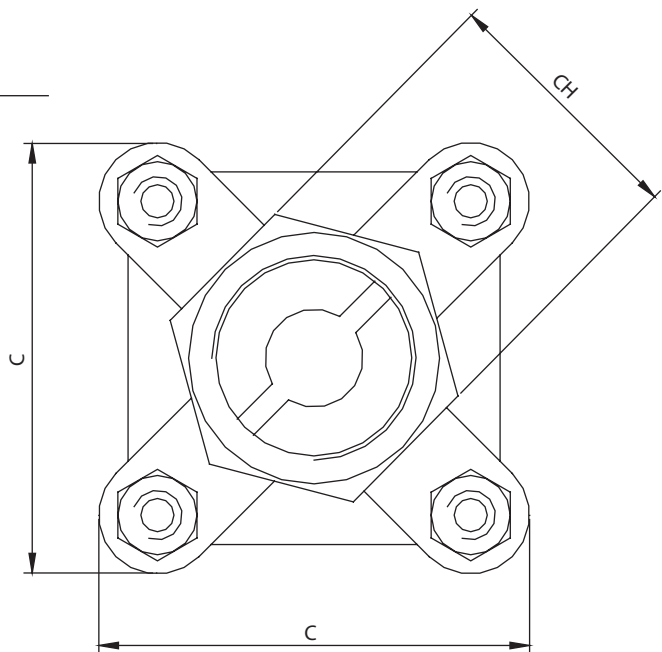


FIG.1

SCF

PROPELLER CONTROLS

FIG.2



Designed to control the circulation of liquids, they are suitable for the flow of water, oils, petrol, gas oil and all other liquids except corrosive liquids.

- Body in chromed zinc brass alloy with hexagonal boss and internal thread for the connection.
- Reversible propeller in nylon-glass.
- Tube in Pyrex glass.
- Max. operating temperature 90°C with nitrile seal and 130°C with Viton seal.
- Nitrile seal standard (Viton on request).

TYPE	CONNECTION	A	B	C	CH.	FIG.	MIN. FLOWRATE	MAX. FLOWRATE	MAX. PRESSURE (Bar)	MAX. TEMPERATURE (°C)	MAX. TEMPERATURE WITH VITON SEAL (°C)
SCF 13	1/4 " GAS	66	22	37	17	1	0,6	3	30	90	130
SCF 16	3/8 " GAS	94	31	58	27		1,1	5,5			
SCF 20	1/2 " GAS						1,3	6,3			
SCF 26	3/4 " GAS	128	47	67	42	2	1,6	17	15	90	130
SCF 33	1 " GAS						2,2	27			
SCF 42	1"1/4 GAS	156	66	80	60		9	55			
SCF 48	1"1/2 GAS					11	60				