



Description

The sensors of series P21 are piezoresistive based on ceramic. Measurement cubicle has excellent long life stability and over load resistance. The transducers supply high accuracy during measure range and decrease the effect of hysteresis. Pressure transmitter's zero point which are designed from PNOMEK R&D engineers, can be set according to customer specifications.

- Long time stability thanks to piezoresistive ceramic cubicle measurement.
- Stainless body and ultra compact design.
- Excellent measurement between 0...400 bar.
- It can be set according to customer specifications.
- Normal it has double resistance to vibration compare to industrial standards.

Application

- Hydraulic and mobile hydraulics
- Pneumatics
- Heavy-Duty machines industry
- Media; Compressed air, liquids, gases.



Technical Features

Mechanical Connection Type : G1/4" 1/4" NPT
Accuracy @ 25°C : < % ±0,5 FS
Working temperature : -20°C...+110°C
Reaction time : < 5 ms
Shock Test (DIN EN 60068-2-27:1993) : 30 g
Body Material : 316L Stainless
Viscosity Range : 10 ile 800 mm² /sec
Output : 4 ... 20mA - 4 ... 20mA (3 cabled) - 0 ... 10V - 0 ... 5V - 1 ... 5V - 0,5 ... 4,5V - 0,5 ... 4,5V (Ratiometric)

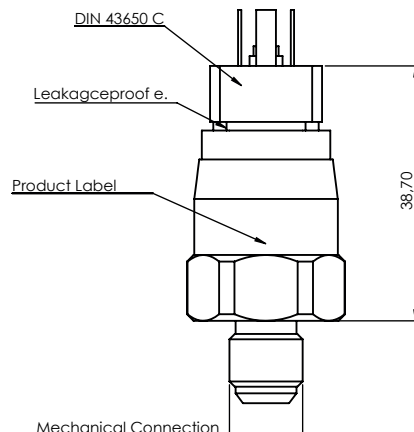
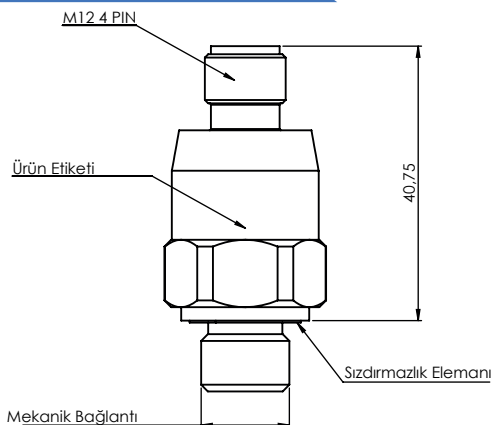
Order Codes

P21	Model	Body	Leakageproof Type	Mechanical Connection Type	Electrical Con. Type	Pressure			Output Signal	Accuracy
						Code	Pressure Range (bar)	P _{max}		
P21	Model Pressure Transmitter & Transducer	It is delivered as stainless "316L" body	N NBR E EPDM H HNBR	A3 G1/4" N4 NPT 1/4"	T2 DIN 43650 C T3 M12 x 1 (4 pin)	2,5 6 10 16 25 40 60 100 160 250 315 400	0 ... 2,5 0 ... 6 0 ... 10 0 ... 16 0 ... 25 0 ... 40 0 ... 60 0 ... 100 0 ... 160 0 ... 250 0 ... 315 0 ... 400	6 bar 15 bar 30 bar 45 bar 75 bar 100 bar 130 bar 250 bar 350 bar 600 bar 700 bar 700 bar	Z1 4 ... 20 mA Z1.3 4 ... 20 mA (3 kablolu) Z2 DC 0 ... 10 V Z3 DC 0 ... 5 V Z4 DC 1 ... 5 V Z5 DC 0,5 ... 4,5 V Z6 DC 0,5 ... 4,5 V Rasiometric9	F1 Pressure transmitter that is calibrated high accuracy (Please review Accuracy diagram for accuracy values). If accuracy type doesn't preferred, pressure transmier which is calibrated as standart accuracy, is delivered. (± %0.5 FS @ 25°C)

Electrical Connection Type

		2 cabled		3 cabled
T2 DIN 43650 C Dar Soket 16 x 16		U _B	1	1
		0V	2	2
		S ₊	-	3
T3 M12 x 1 (4 PIN)		U _B	1	1
		0V	3	3
		S ₊	-	4

Technical Dimensions



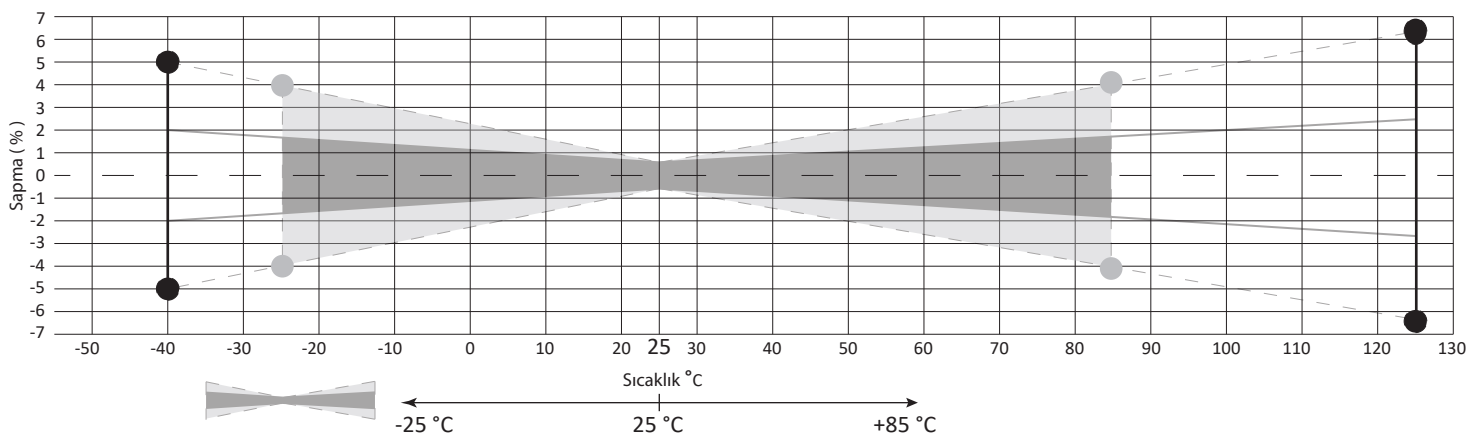
Technical Feature


Special Feature							
Parameters	Unit	Current		Voltage			Rasiometric
Output Signal	-	4 ... 20mA	4 ... 20mA (3 kablolu)	0 ... 10V	0 ... 5V	1 ... 5V	0,5 ... 4,5 V Rasiometric
Input Voltage	VDC	8 ... 30		14 ... 30	8 ... 30		5V ± % 10
Load	Ω	≤(Power supply - 8 V)/0,02 A		> Maximum output signal / 1mA			> 10k
Total current consume	mA	Current Signal, max. 25		8			8
Temperature accuracy 0 ... 80 °C	-	≤ % ± 1 FS					
Action Time	ms	< 5 ms					
Shock Testi	g	30					
Working Temperature	°C	- 20 °C ... 80 °C					
Mechanical Con.	-	G1/4" 1/4"NPT					
Body Material	-	316L Stainless					

Not: If you have necessary about the out of values, Please contact us.

Accuracy Diagram

Temperature/Accuracy Diagram of P23 Series Pressure Transmitter that has Standart and Calibrated High Accuracy



Pressure transmitter calibrated standard accuracy : 

Pressure transmitter calibrated high accuracy : 