

MPFX series

Maximum working pressure up to 800 kPa (8 bar) - Flow rate up to 900 l/min





THE NEW FILTER CONCEPT

MPFX
MPLX
MPTX
MFBX
MFX
series

NEW FILTER ELEMENT WITH EXCLUSIVE INTERFACE CONNECTION

- **Protects the machine from improper use of non-original products.**
- **Safety of constant quality protection & reliability**

With exclusive filter element you are sure that only MP Filtri filter elements can be used, ensuring the best cleaning level of the oil due to the use of originals filter elements.



The products identified as MPFX, MPLX, MPTX, MFBX and MFX are protected by:

Italian Patent n° 102014902261205

Canadian Patent n° 2,937,258

and by the following patent applications:

European Patent n° 16181725.9

US Patent Pending n° 15/224,337

Description

Technical data

Return filter

Maximum working pressure up to 800 kPa (8 bar)

Flow rate up to 900 l/min

MPFX is a range of return filters for protection of the reservoir against the system contamination.

They are directly fixed to the reservoir, in immersed or semi-immersed position.

The filter output must be always immersed into the fluid to avoid aeration or foam generation into the reservoir.

Available features:

- Female threaded connections up to 2" and flanged connections up to 2", for a maximum flow rate of 750 l/min
- Multiple connections, to connect several return lines or drains
- Fine filtration rating, to get a good cleanliness level into the reservoir
- Bypass valve integrated into the filter element, to relieve excessive pressure drop across the filter media
- 2, 3 or 4 fixing holes for installation, to suit a variety of reservoir surfaces
- O-ring or Flat Seal to suit a variety of reservoir surfaces
- Oil dipstick, to easily check the level of the fluid into the reservoir (sold as separate item)
- Extension tube, to be used in deep reservoirs (sold as separate item)
- Diffuser, to reduce the risk of aeration, foaming and noise (sold as separate item)
- Filler plug, to fill cleaned fluid into the tank without an additional connection
- Visual, electrical and electronic clogging indicators
- MYclean interface connection, to protect the product against non-original spare parts
- External protective wrap, to optimize the flow through the element and to save the element efficiency against non-proper handling

Common applications:

- Light Industrial equipment
- Mobile application

Filter housing materials

- Head: Aluminium

- Cover

Nylon: MPFX 030-100-104-110

Aluminium: MPFX 181-182-184-191-192-194-400-410-450-451-750

- Bowl: Nylon

Bypass valve

- Opening pressure 175 kPa (1.75 bar) ±10%

- Opening pressure 300 kPa (3 bar) ±10%

Δp element type

- Microfiber filter elements - series H: 10 bar

- Fluid flow through the filter element from OUT to IN

Seals

- Standard NBR series A

- Optional FPM series V

Temperature

From -25 °C to +110 °C

Note

MPFX filters are provided for vertical mounting



Weights [kg] and volumes [dm³]

Filter series	Weights [kg]				Volumes [dm ³]					
	Length	1	2	3	4	Length	1	2	3	4
MPFX 030		0.40	-	-	-		0.29	-	-	-
MPFX 100		0.61	0.64	0.67	0.74		0.64	0.85	1.20	1.65
MPFX 104		0.82	0.96	1.02	1.25		0.64	0.85	1.20	1.65
MPFX 110		0.64	0.68	0.71	0.78		-	-	-	-
MPFX 181		2.20	3.00	-	-		2.50	4.00	-	-
MPFX 182		2.30	3.10	-	-		2.50	4.00	-	-
MPFX 184		2.55	3.45	-	-		2.65	4.45	-	-
MPFX 191		-	3.00	-	-		-	4.25	-	-
MPFX 192		-	3.10	-	-		-	4.25	-	-
MPFX 194		-	3.45	-	-		-	4.45	-	-
MPFX 400		3.35	3.65	3.90	-		3.70	4.60	5.40	-
MPFX 410		3.55	3.85	4.10	-		3.70	4.60	5.40	-
MPFX 450-451		3.95	4.25	4.50	-		3.70	4.60	5.40	-
MPFX 750		6.30	-	-	-		8.45	-	-	-

Filter series	Length	Filter element design - H series					Filter element design - N series		
		A03	A06	A10	A16	A25	M25 M60 M90	P10	P25
MPFX 030	1	7	10	24	29	47	84	60	66
MPFX 100-104-110	1	18	20	53	56	65	153	87	96
	2	28	38	65	75	95	158	111	123
	3	48	55	125	135	169	289	224	251
	4	79	89	180	185	198	306	264	289
MPFX 181-182-184	1	127	148	235	243	278	441	285	299
	2	231	262	358	382	388	472	404	412
MPFX 191-192-194	2	261	305	489	528	546	696	583	598
MPFX 400	1	150	171	294	304	350	585	370	390
	2	237	252	454	462	589	868	619	645
	3	248	288	553	609	621	885	680	703
MPFX 410	1	146	167	277	285	325	512	341	357
	2	226	239	396	402	485	644	503	519
	3	236	269	462	497	505	653	539	553
MPFX 450-451	1	150	171	294	304	350	585	370	390
	2	237	252	454	462	589	868	619	645
	3	248	288	553	609	621	885	680	703
MPFX 750	1	392	465	623	700	769	929	804	819

Maximum flow rate for a complete return filter with a pressure drop $\Delta p = 0.5$ bar.

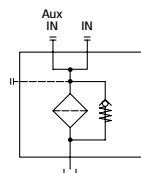
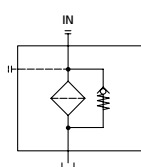
The reference fluid has a kinematic viscosity of 30 mm²/s (cSt) and a density of 0.86 kg/dm³.

For different pressure drop or fluid viscosity we recommend to use our selection software available on www.mpfiltri.com.

You can also calculate the right size using the formulas present on the FILTER SIZING paragraph at the beginning of the full catalogue or at the beginning of the filter family brochure. Please, contact our Sales Department for further additional information.

Hydraulic symbols

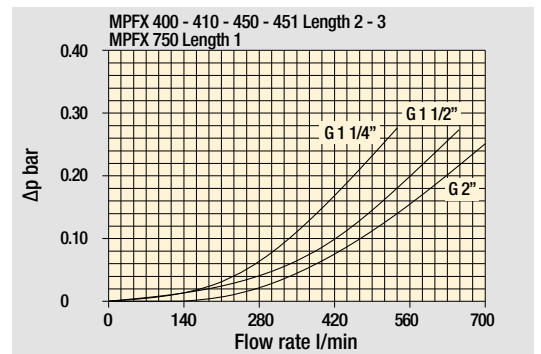
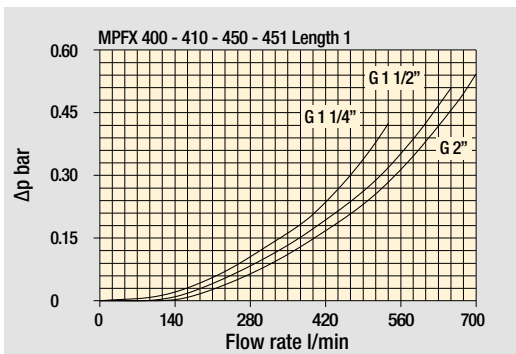
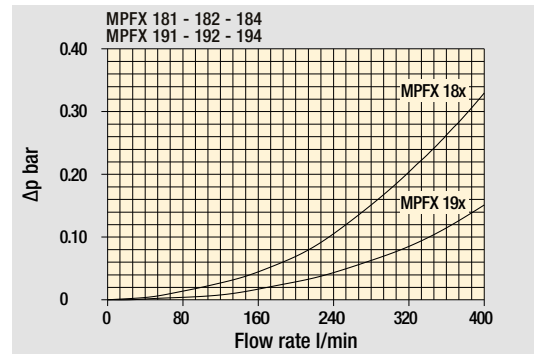
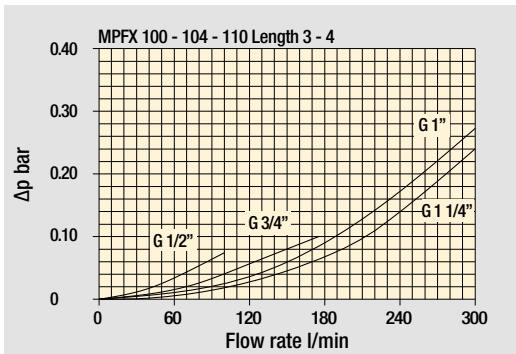
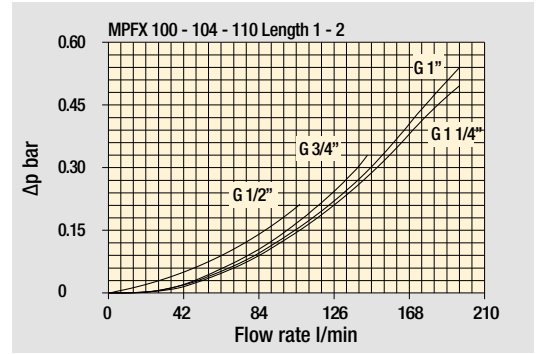
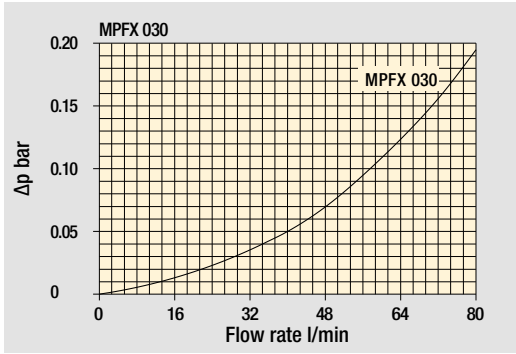
Filter series	Style 1 connection	Style 2 connections
MPFX 030	•	
MPFX 100	•	
MPFX 104	•	
MPFX 110		•
MPFX 181	•	
MPFX 182		•
MPFX 184	•	•
MPFX 191	•	
MPFX 192	•	
MPFX 194	•	•
MPFX 400	•	
MPFX 410		•
MPFX 450	•	
MPFX 451		•
MPFX 750	•	



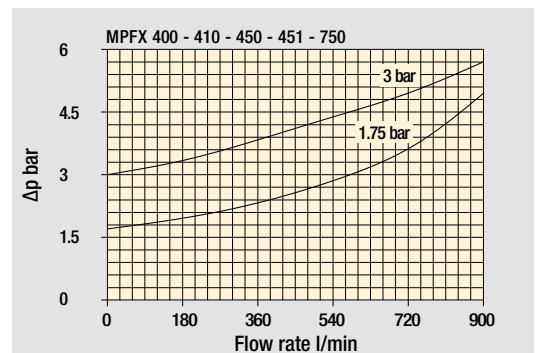
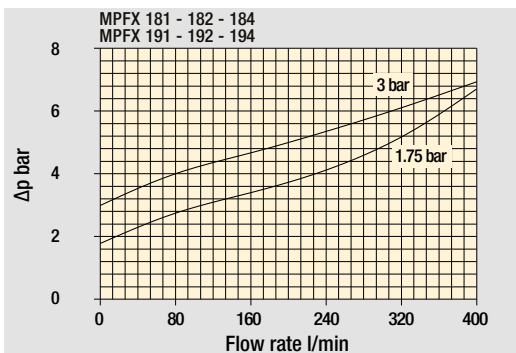
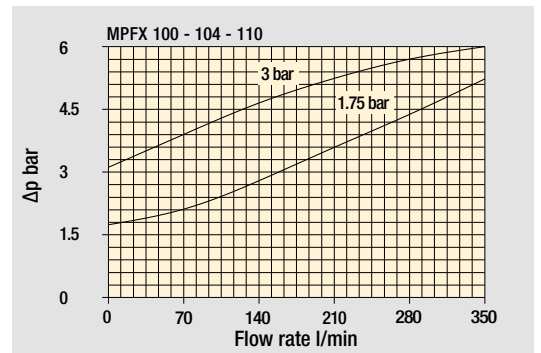
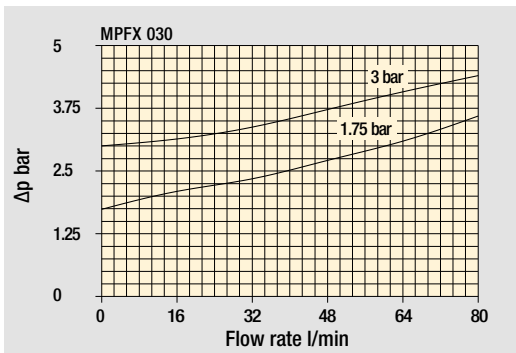
MPFX GENERAL INFORMATION

Pressure drop

Filter housings Δp pressure drop



Bypass valve pressure drop

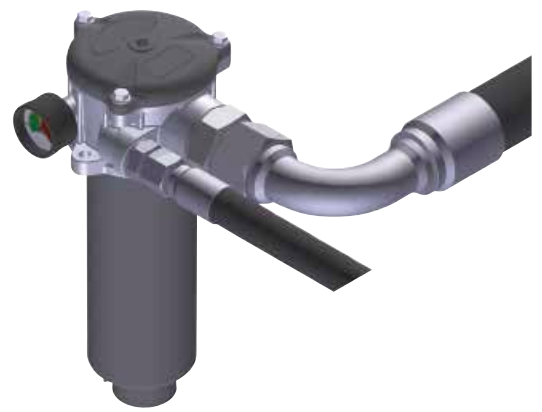


The curves are plotted using mineral oil with density of 0.86 kg/dm³ in compliance with ISO 3968. Δp varies proportionally with density.

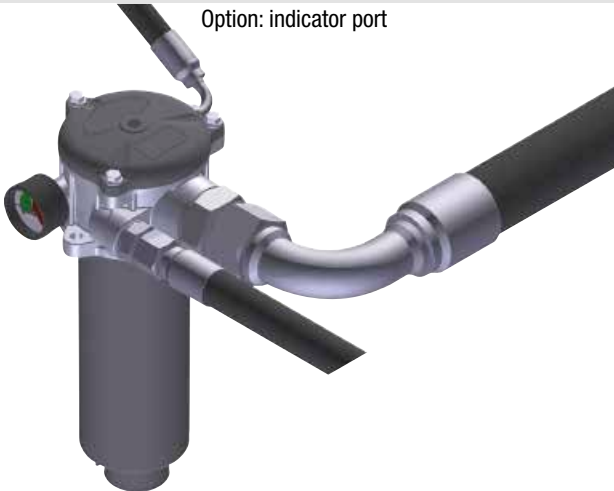
Standard - Single IN port



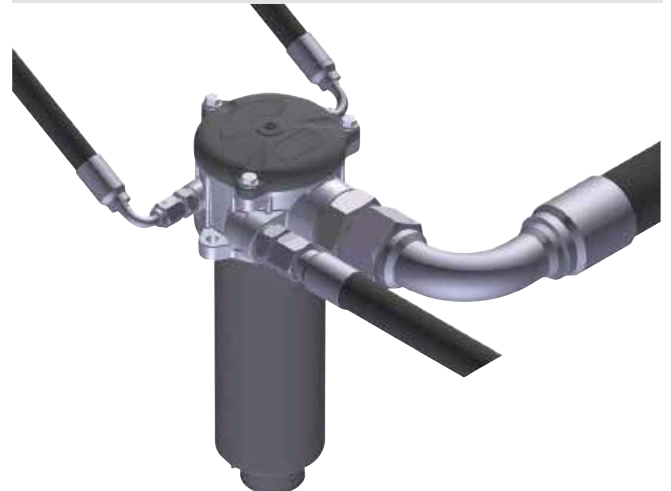
Double IN port
Option: double indicator port



Double IN port - Drain port
Option: indicator port



Double IN port - Double drain port



Designation & Ordering code

COMPLETE FILTER

Series and size	Configuration example 1: MPFX030	1	V	G1	M25	N	B	P01
MPFX030 Filter element with private spigot	Configuration example 2: MPFX030	1	A	G4	A10	H	E	P01
Length								
1								
Seals and treatments								
A NBR								
V FPM								
W NBR head anodized								
Z FPM head anodized								
Connections								
G1 G 1/2"								
G4 1/2" NPT								
G7 SAE 8 - 3/4" - 16 UNF								
Filtration rating (filter media)								
A03 Inorganic microfiber	M25 Wire mesh							
A06 Inorganic microfiber	M60 Wire mesh							
A10 Inorganic microfiber	M90 Wire mesh							
A16 Inorganic microfiber	P10 Resin impregnated paper 10 µm							
A25 Inorganic microfiber	P25 Resin impregnated paper							
Element Δp	Filter media							
N 10 bar	Axx	Mxx	Pxx					
H 10 bar		•	•					
W 10 bar, compatible with fluids HFA, HFB and HFC	•	•						
				Bypass valve	Execution			
				E 3 bar	P01 MP Filtri standard			
				B 1.75 bar	Pxx Customized			

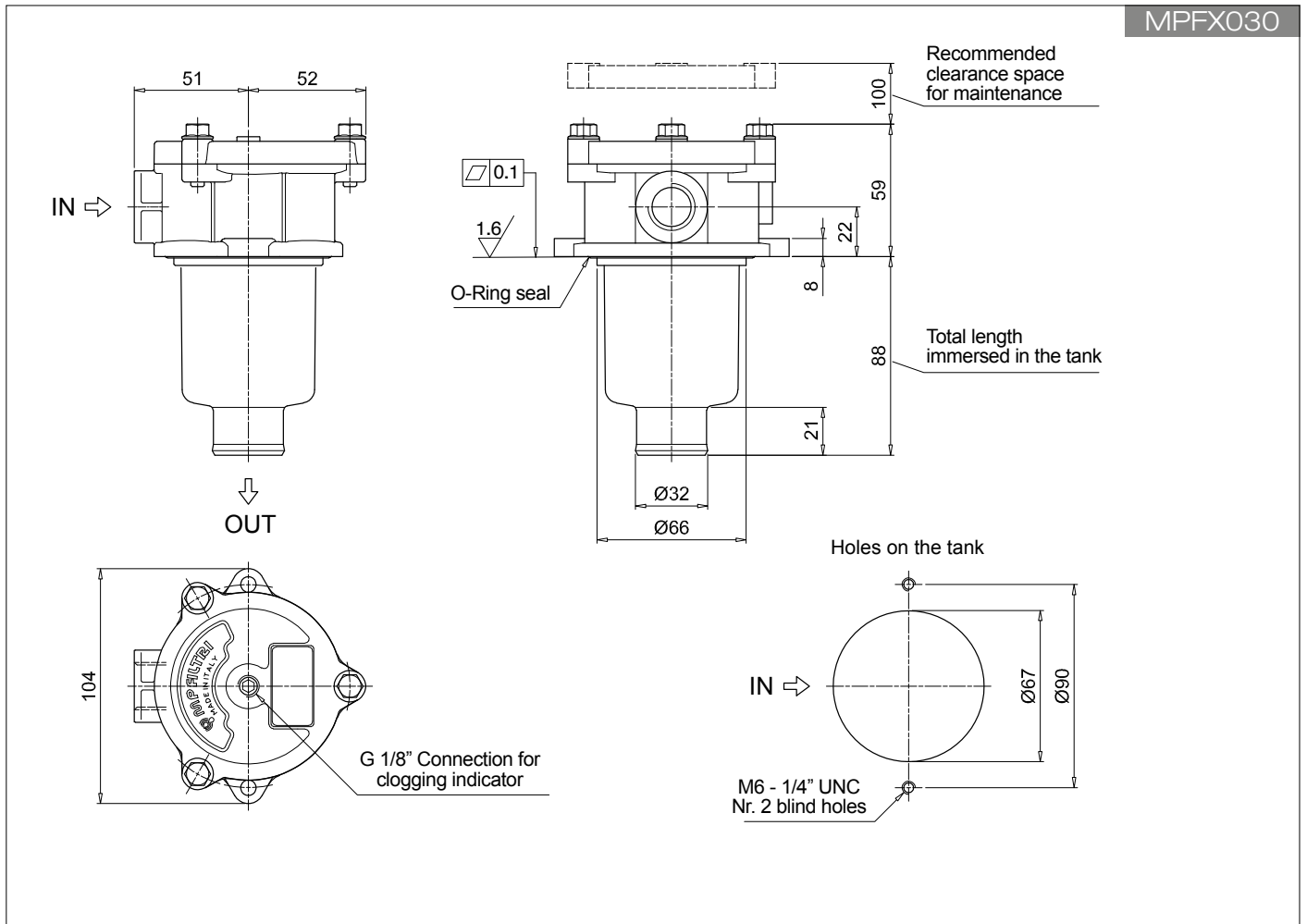
FILTER ELEMENT

Element series and size	Configuration example 1: MPFX030	1	M25	N	V		P01
MPFX030 Filter element with private spigot	Configuration example 2: MPFX030	1	A10	H	B	E	P01
Element length							
1							
Filtration rating (filter media)							
A03 Inorganic microfiber 3 µm	M25 Wire mesh 25 µm						
A06 Inorganic microfiber 6 µm	M60 Wire mesh 60 µm						
A10 Inorganic microfiber 10 µm	M90 Wire mesh 90 µm						
A16 Inorganic microfiber 16 µm	P10 Resin impregnated paper 10 µm						
A25 Inorganic microfiber 25 µm	P25 Resin impregnated paper 25 µm						
Element Δp	Filter media						
N 10 bar	Axx	Mxx	Pxx				
H 10 bar		•	•				
W 10 bar, compatible with fluids HFA, HFB and HFC	•	•					
			Seals	Bypass valve	Execution		
			B NBR	E 3 bar	P01 MP Filtri standard		
			V FPM	1.75 bar	Pxx Customized		

ACCESSORIES

Indicators	page		page
BVA Axial pressure gauge	240	BEA Electrical pressure indicator	239
BVR Radial pressure gauge	240	BEM Electrical pressure indicator	239
BVP Visual pressure indicator with automatic reset	241	BLA Electrical / visual pressure indicator	239-240
BVQ Visual pressure indicator with manual reset	241		
Additional features	page		
TE Extension tube	248		
T5 Filler plug M30x1.5	249		

MPFX030



MPFX MPFX100 - MPFX104

Designation & Ordering code

COMPLETE FILTER

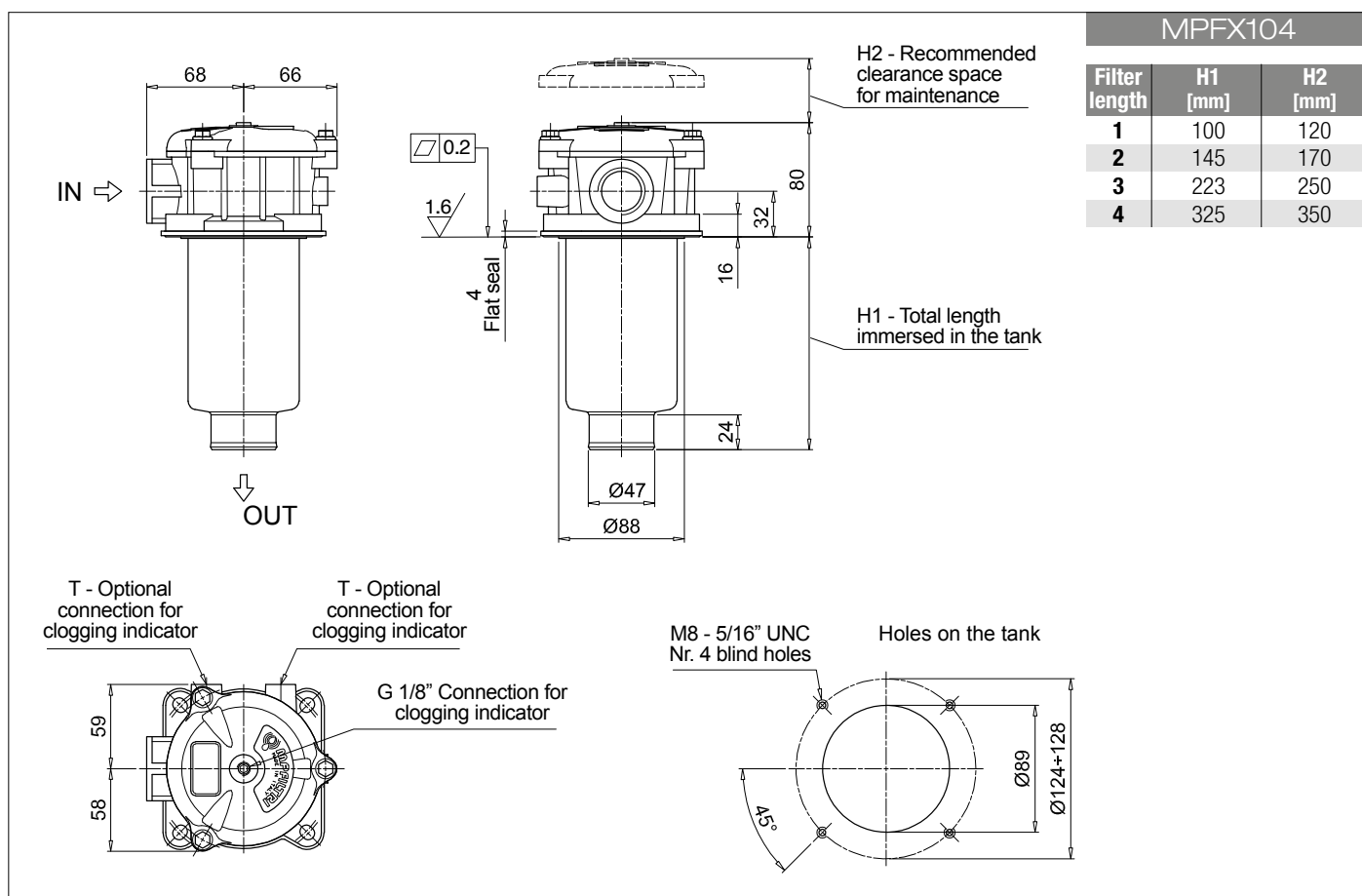
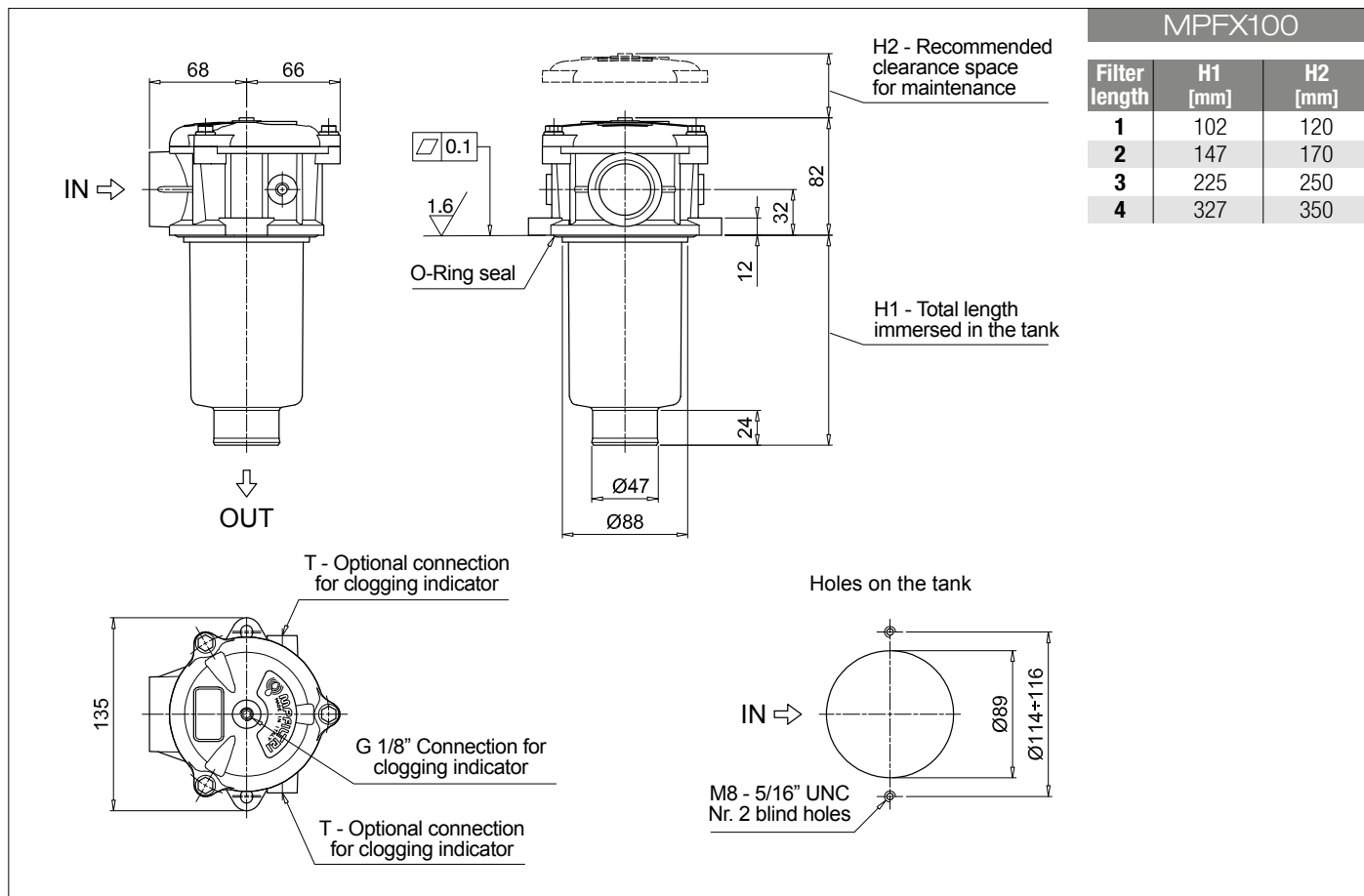
Series and size		Configuration example 1: MPFX100 2 W G3 A06 W B P01									
MPFX100 MPFX104 Filter element with private spigot		Configuration example 2: MPFX104 4 A G8 P10 N E P01									
Length											
1 2 3 4											
Seals and treatments											
A NBR											
V FPM											
W NBR head anodized											
Z FPM head anodized											
Connections		Size 100		Size 104		Connections		Size 100		Size 104	
G1 G 1/2"		•		•		G7 SAE 8 - 3/4" - 16 UNF		•		•	
G2 G 3/4"		•		•		G8 SAE 12 - 1 1/16" - 12 UN		•		•	
G3 G 1"		•		•		G9 SAE 16 - 1 5/16" - 12 UN		•		•	
G4 1/2" NPT		•		•							
G5 3/4" NPT		•		•							
G6 1" NPT		•		•							
Filtration rating (filter media)											
A03 Inorganic microfiber 3 µm											
A06 Inorganic microfiber 6 µm											
A10 Inorganic microfiber 10 µm											
A16 Inorganic microfiber 16 µm											
A25 Inorganic microfiber 25 µm											
M25 Wire mesh 25 µm											
M60 Wire mesh 60 µm											
M90 Wire mesh 90 µm											
P10 Resin impregnated paper 10 µm											
P25 Resin impregnated paper 25 µm											
Element Δp		Axx		Mxx		Pxx		Filter media			
N 10 bar				•		•					
H 10 bar				•							
W 10 bar, compatible with fluids HFA, HFB and HFC		•		•							
								Bypass valve		Execution	
								E 3 bar		P01 MP Filtri standard	
								B 1.75 bar		Pxx Customized	

FILTER ELEMENT

Element series and size		Configuration example 1: MFX100 2 A06 W B P01									
MFX100 Filter element with private spigot		Configuration example 2: MFX100 4 P10 N B E P01									
Element length											
1 2 3 4											
Filtration rating (filter media)											
A03 Inorganic microfiber 3 µm											
A06 Inorganic microfiber 6 µm											
A10 Inorganic microfiber 10 µm											
A16 Inorganic microfiber 16 µm											
A25 Inorganic microfiber 25 µm											
M25 Wire mesh 25 µm											
M60 Wire mesh 60 µm											
M90 Wire mesh 90 µm											
P10 Resin impregnated paper 10 µm											
P25 Resin impregnated paper 25 µm											
Element Δp		Axx		Mxx		Pxx		Filter media			
N 10 bar				•		•					
H 10 bar				•							
W 10 bar, compatible with fluids HFA, HFB and HFC		•		•							
								Seals		Bypass valve	
								B NBR		E 3 bar	
								V FPM		1.75 bar	
										Execution	
										P01 MP Filtri standard	
										Pxx Customized	

ACCESSORIES

Indicators		page		page	
BVA Axial pressure gauge	240	BEA Electrical pressure indicator	239		
BVR Radial pressure gauge	240	BEM Electrical pressure indicator	239		
BVP Visual pressure indicator with automatic reset	241	BLA Electrical / visual pressure indicator	239-240		
BVQ Visual pressure indicator with manual reset	241				
Additional features		page		page	
TE Extension tube	248	T5 Filler plug M30x1.5	249		
DFS Diffuser with fast lock connection	249	DPT Dipstick	249		



Designation & Ordering code

COMPLETE FILTER

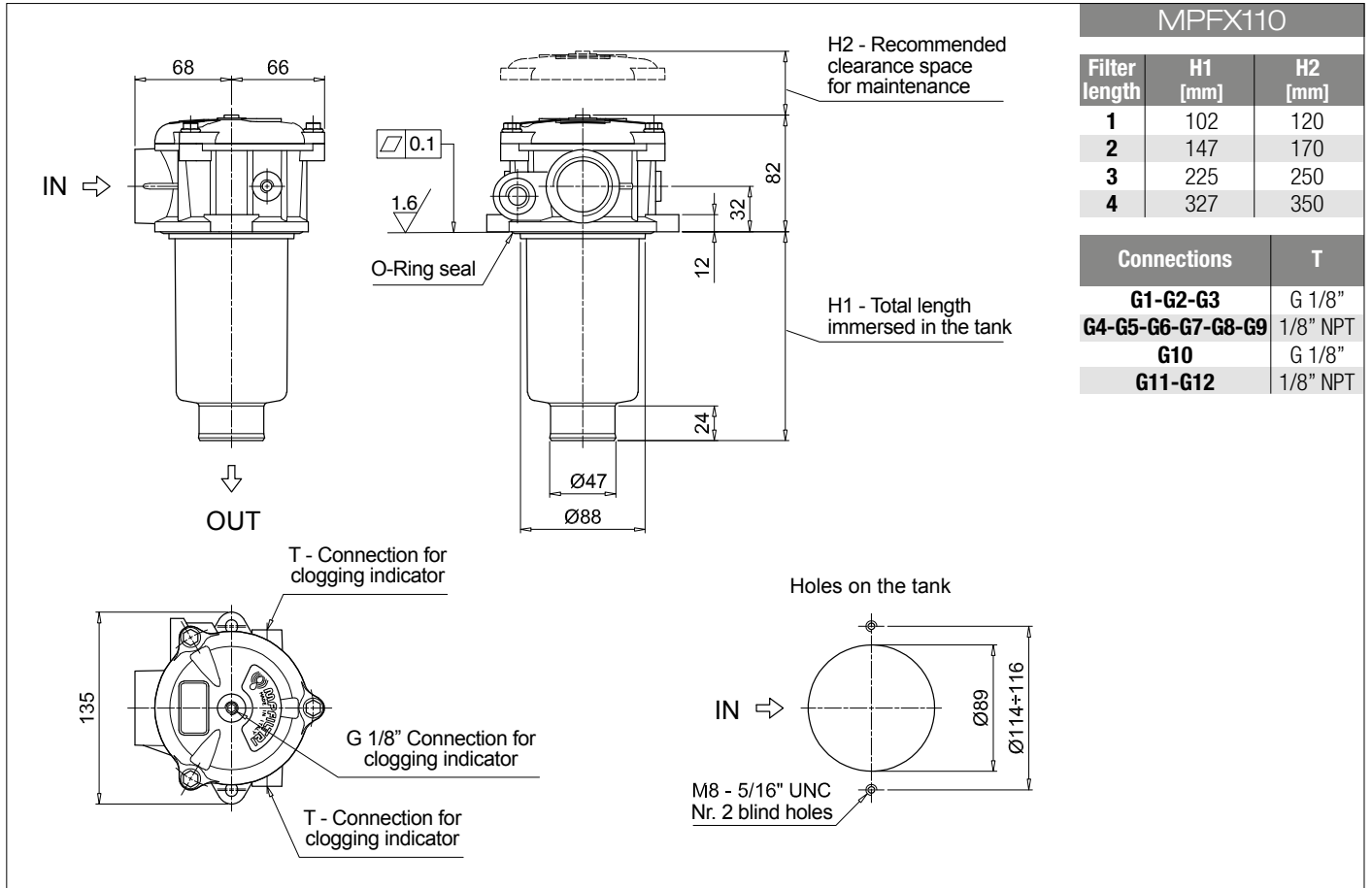
Series and size			Configuration example 1: MPFX110 3 Z G4 2 M25 W B P01								
MPFX110 Filter element with private spigot			Configuration example 2: MPFX110 4 A G8 1 P10 N E P01								
Length											
1 2 3 4											
Seals and treatments											
A NBR			W NBR head anodized								
V FPM			Z FPM head anodized								
Main Connections			Main Connections			Aux size 1			Aux size 2		
G1 G 1/2"			G7 SAE 8 - 3/4" - 16 UNF			SAE 6 - 9/16" - 18 UNF			SAE 8 - 3/4" - 16 UNF		
G2 G 3/4"			G8 SAE 12 - 1 1/16" - 12 UN								
G3 G 1"			G9 SAE 16 - 1 5/16" - 12 UN								
G4 1/2" NPT			G10 G 1 1/4"			G 3/8"			G 1/2"		
G5 3/4" NPT			G11 1 1/4" NPT			3/8" NPT			1/2" NPT		
G6 1" NPT			G12 SAE 20 - 1 5/8" - 12 UN			SAE 6 - 9/16" - 18 UNF			SAE 8 - 3/4" - 16 UNF		
Aux connection - see previous table											
1 Aux size 1			2 Aux size 2								
Filtration rating (filter media)											
A03 Inorganic microfiber 3 µm			M25 Wire mesh 25 µm								
A06 Inorganic microfiber 6 µm			M60 Wire mesh 60 µm								
A10 Inorganic microfiber 10 µm			M90 Wire mesh 90 µm								
A16 Inorganic microfiber 16 µm			P10 Resin impregnated paper 10 µm								
A25 Inorganic microfiber 25 µm			P25 Resin impregnated paper 25 µm								
Element Δp			Filter media								
N 10 bar			Axx Mxx Pxx								
H 10 bar			•								
W 10 bar, compatible with fluids HFA, HFB and HFC			• •								
						Bypass valve		Execution			
						E 3 bar		P01 MP Filtri standard			
						B 1.75 bar		Pxx Customized			

FILTER ELEMENT

Element series and size			Configuration example 1: MPFX100 3 M25 W V P01								
MPFX100 Filter element with private spigot			Configuration example 2: MPFX100 4 P10 N B E P01								
Element length											
1 2 3 4											
Filtration rating (filter media)											
A03 Inorganic microfiber 3 µm			M25 Wire mesh 25 µm								
A06 Inorganic microfiber 6 µm			M60 Wire mesh 60 µm								
A10 Inorganic microfiber 10 µm			M90 Wire mesh 90 µm								
A16 Inorganic microfiber 16 µm			P10 Resin impregnated paper 10 µm								
A25 Inorganic microfiber 25 µm			P25 Resin impregnated paper 25 µm								
Element Δp			Filter media								
N 10 bar			Axx Mxx Pxx								
H 10 bar			•								
W 10 bar, compatible with fluids HFA, HFB and HFC			• •								
						Seals		Bypass valve		Execution	
						B NBR		E 3 bar		P01 MP Filtri standard	
						V FPM		1.75 bar		Pxx Customized	

ACCESSORIES

Indicators		page			page
BVA	Axial pressure gauge	240	BEA	Electrical pressure indicator	239
BVR	Radial pressure gauge	240	BEM	Electrical pressure indicator	239
BVP	Visual pressure indicator with automatic reset	241	BLA	Electrical / visual pressure indicator	239-240
BVQ	Visual pressure indicator with manual reset	241			
Additional features		page			page
TE	Extension tube	248	T5	Filler plug M30x1.5	249
DFS	Diffuser with fast lock connection	249	DPT	Dipstick	249



MPFX110		
Filter length	H1 [mm]	H2 [mm]
1	102	120
2	147	170
3	225	250
4	327	350

Connections	T
G1-G2-G3	G 1/8"
G4-G5-G6-G7-G8-G9	1/8" NPT
G10	G 1/8"
G11-G12	1/8" NPT

MPFX MPFX181 - MPFX191

Designation & Ordering code

COMPLETE FILTER

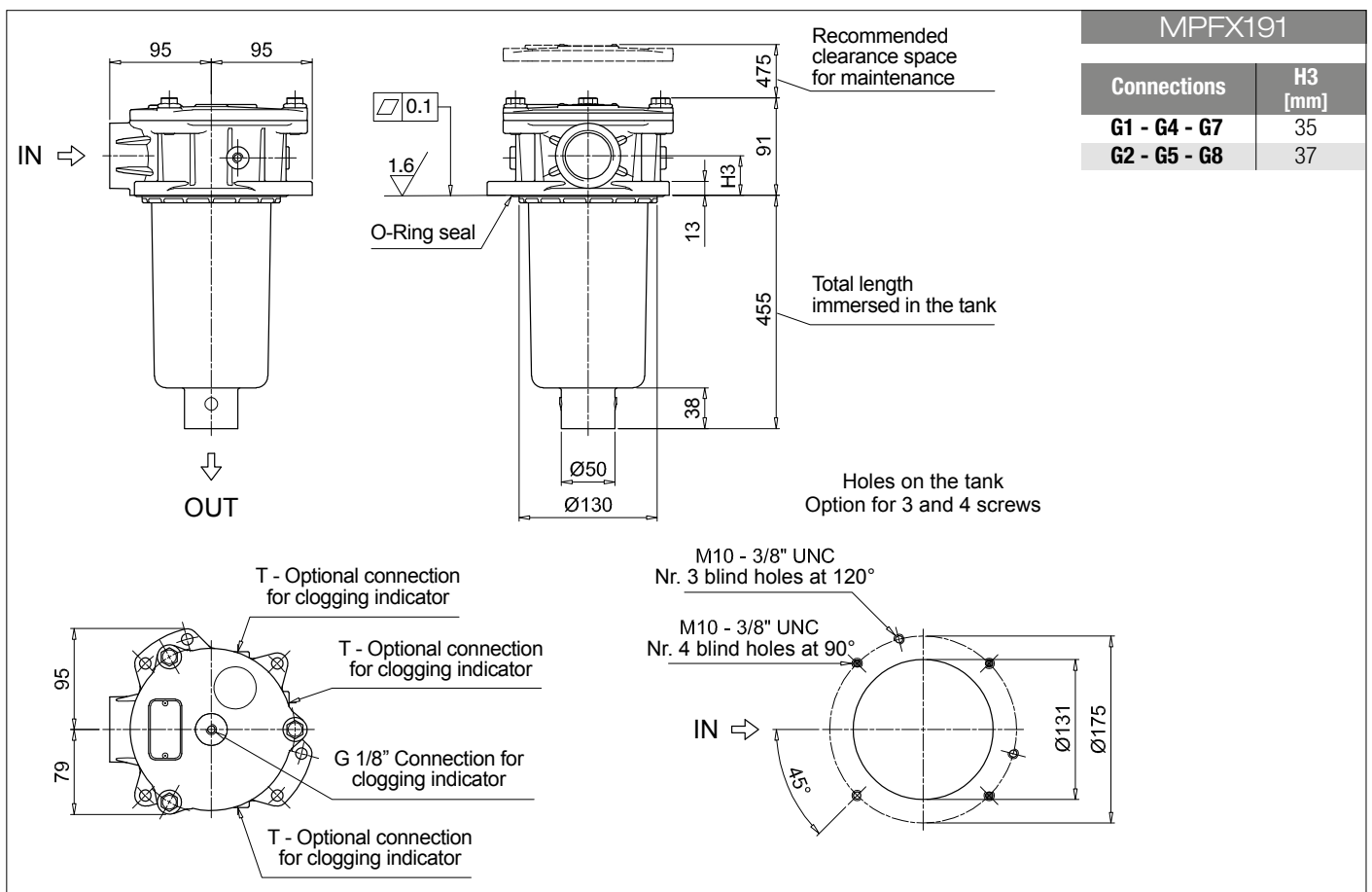
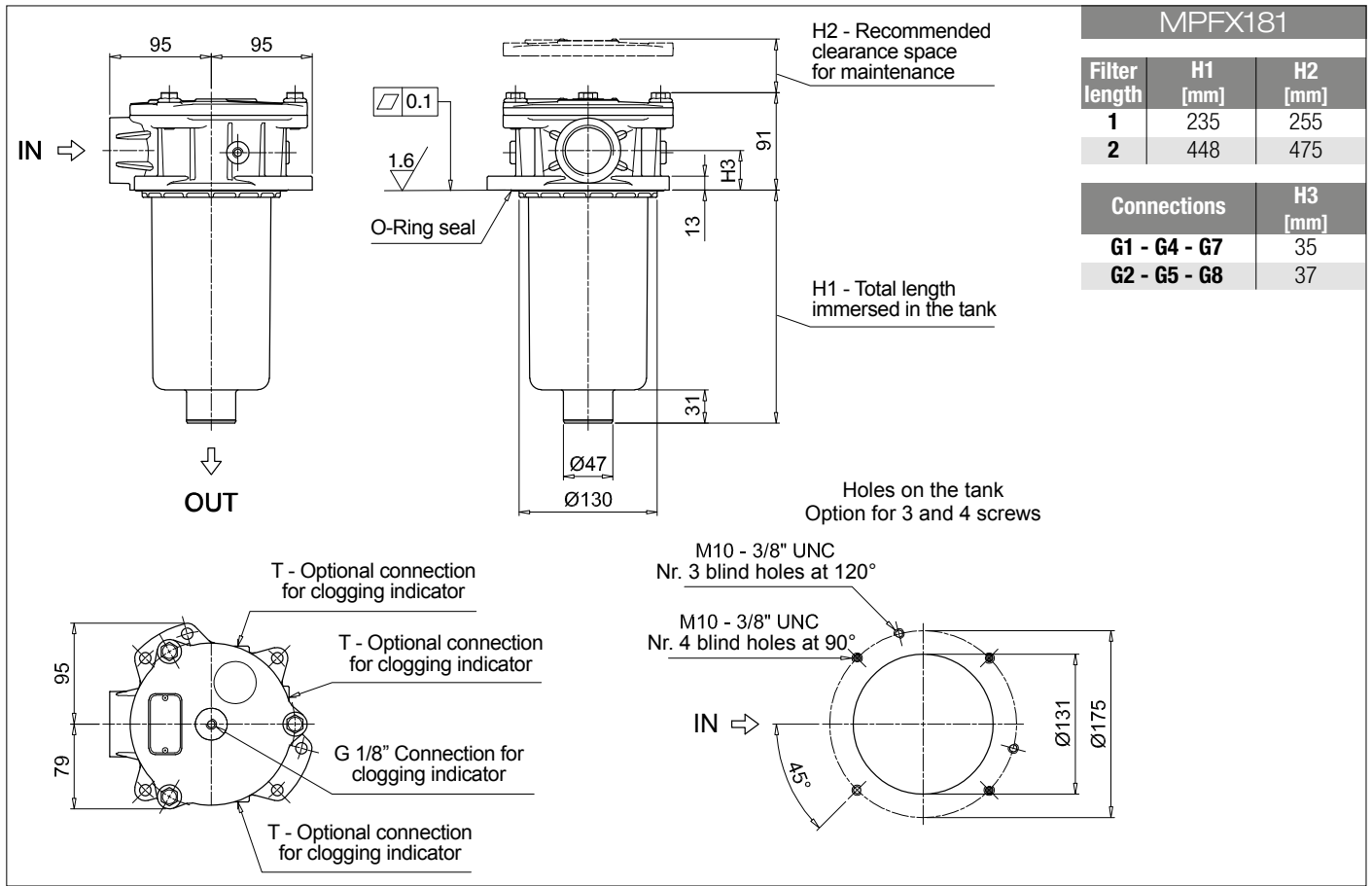
Series and size			Configuration example 1: MPFX181 1 A G1 A25 H E P01								
MPFX181 MPFX191 Filter element with private spigot			Configuration example 2: MPFX191 2 V G2 P10 N B P01								
Length											
	Size 181	Size 191									
1	•										
2	•	•									
Seals and treatments											
A	NBR	B	NBR	flat seal on head							
V	FPM	D	FPM	flat seal on head							
W	NBR	L	NBR	head anodized, flat seal on head							
Z	FPM	M	FPM	head anodized, flat seal on head							
Connections											
G1	G 1 1/4"		G5	1 1/2" NPT							
G2	G 1 1/2"		G7	SAE 20 - 1 5/8" - 12 UN							
G4	1 1/4" NPT		G8	SAE 24 - 1 7/8" - 12 UN							
Filtration rating (filter media)											
A03	Inorganic microfiber 3 µm		M25	Wire mesh 25 µm							
A06	Inorganic microfiber 6 µm		M60	Wire mesh 60 µm							
A10	Inorganic microfiber 10 µm		M90	Wire mesh 90 µm							
A16	Inorganic microfiber 16 µm		P10	Resin impregnated paper 10 µm							
A25	Inorganic microfiber 25 µm		P25	Resin impregnated paper 25 µm							
Element Δp			Filter media								
			Axx	Mxx	Pxx						
N	10 bar			•	•						
H	10 bar		•								
W	10 bar, compatible with fluids HFA, HFB and HFC		•	•							
						Bypass valve		Execution			
						E 3 bar		P01 MP Filtri standard			
						B 1.75 bar		Pxx Customized			

FILTER ELEMENT

Element series and size			Configuration example 1: MFX180 1 A25 H B E P01								
MFX180 Filter element with private spigot			Configuration example 2: MFX180 2 P10 N V P01								
Element length											
1											
2											
Filtration rating (filter media)											
A03	Inorganic microfiber 3 µm		M25	Wire mesh 25 µm							
A06	Inorganic microfiber 6 µm		M60	Wire mesh 60 µm							
A10	Inorganic microfiber 10 µm		M90	Wire mesh 90 µm							
A16	Inorganic microfiber 16 µm		P10	Resin impregnated paper 10 µm							
A25	Inorganic microfiber 25 µm		P25	Resin impregnated paper 25 µm							
Element Δp			Filter media								
			Axx	Mxx	Pxx						
N	10 bar			•	•						
H	10 bar		•								
W	10 bar, compatible with fluids HFA, HFB and HFC		•	•							
						Seals		Bypass valve		Execution	
						B NBR		E 3 bar		P01 MP Filtri standard	
						V FPM		B 1.75 bar		Pxx Customized	

ACCESSORIES

Indicators	page			page
BVA Axial pressure gauge	240	BEA Electrical pressure indicator		239
BVR Radial pressure gauge	240	BEM Electrical pressure indicator		239
BVP Visual pressure indicator with automatic reset	241	BLA Electrical / visual pressure indicator		239-240
BVQ Visual pressure indicator with manual reset	241			
Additional features	page			
TE Extension tube	248			
T5 Filler plug M30x1.5	249			



MPFX MPFX182 - MPFX192

Designation & Ordering code

COMPLETE FILTER

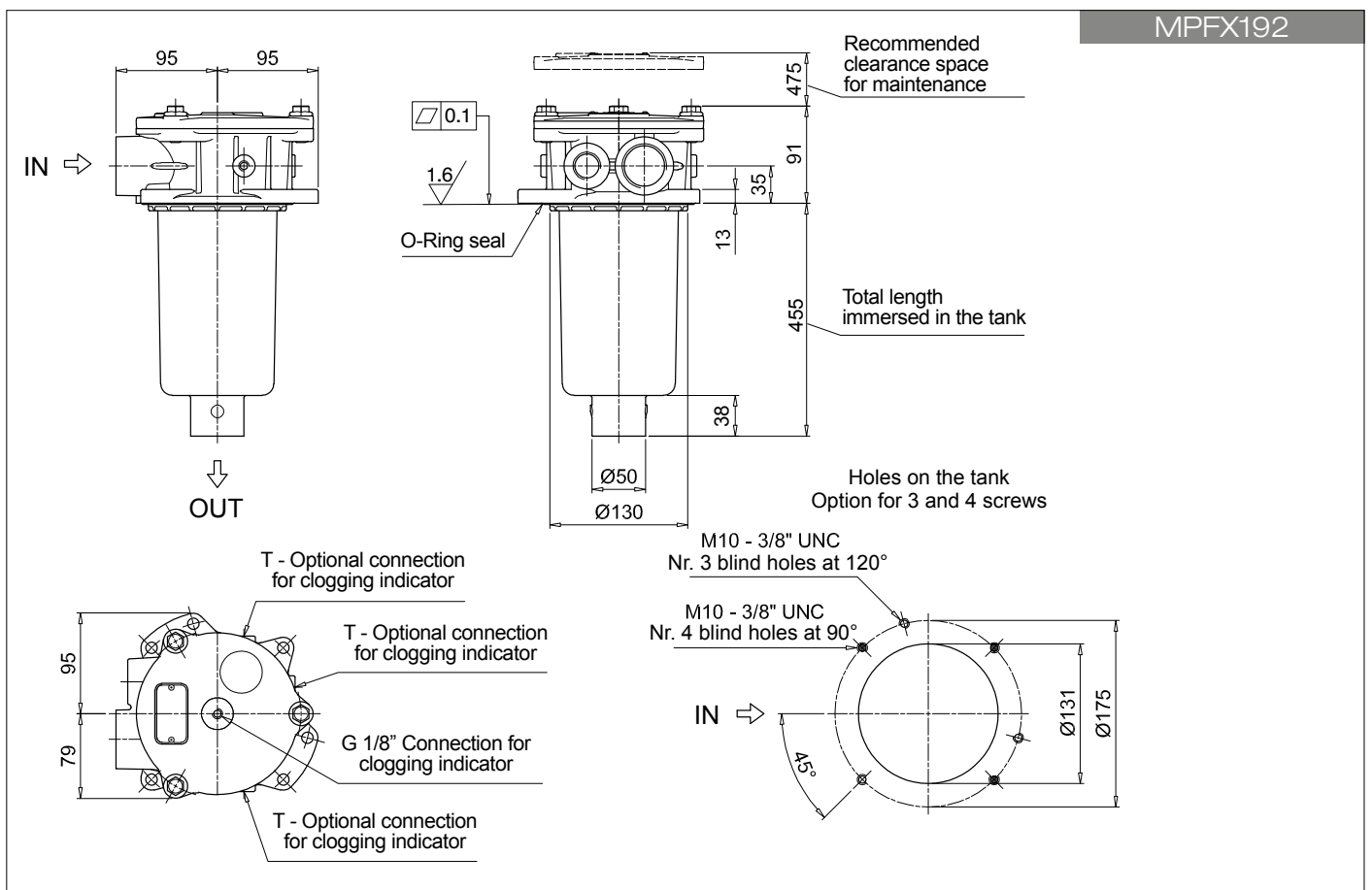
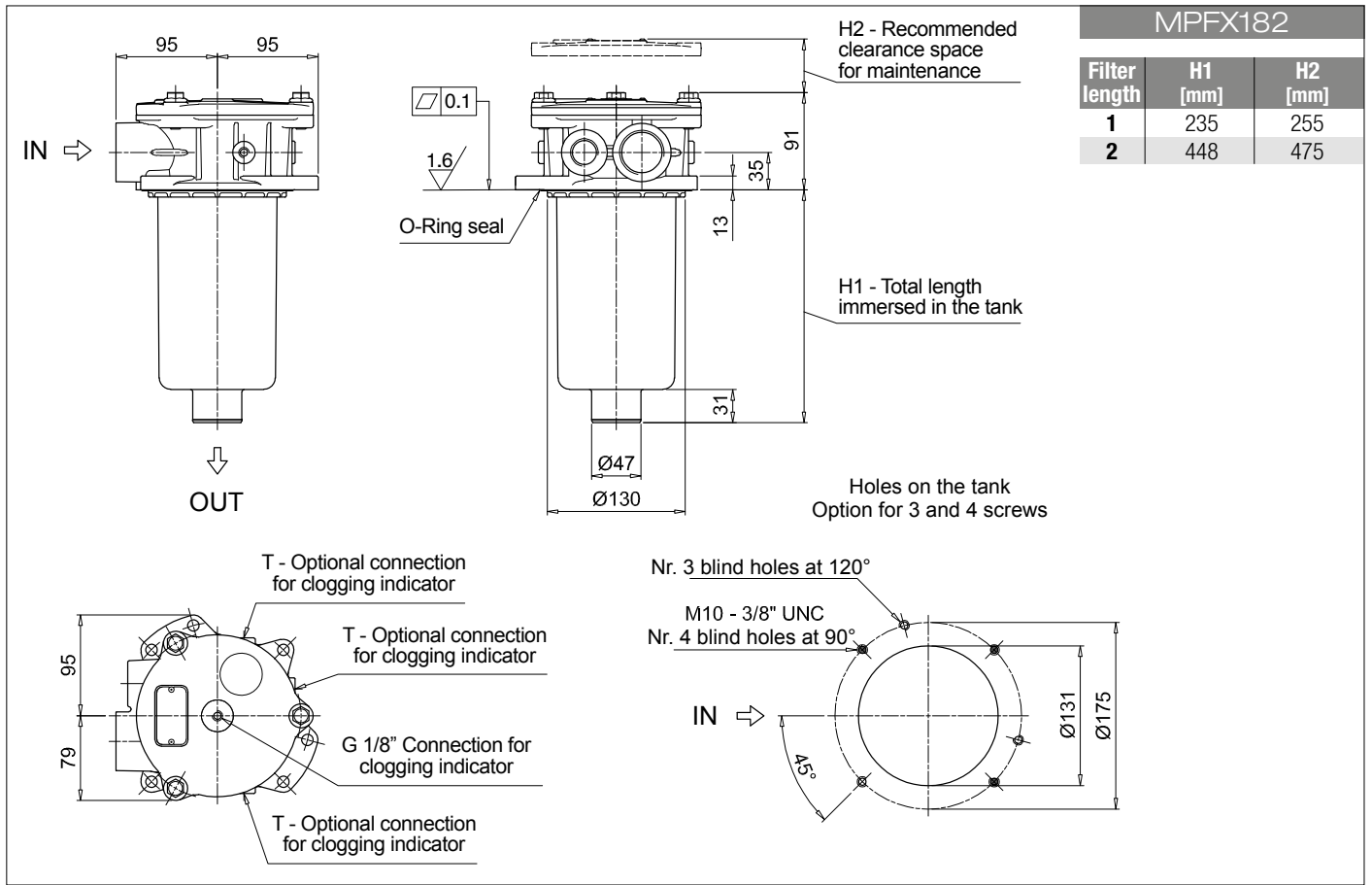
Series and size		Configuration example 1: MPFX182 1 A G1 1 A25 H E P01									
MPFX182 MPFX192 Filter element with private spigot		Configuration example 2: MPFX192 2 V G4 2 P10 N B P01									
Length	Size 182	Size 192									
1	•										
2	•	•									
Seals and treatments											
A NBR	B NBR flat seal on head										
V FPM	D FPM flat seal on head										
W NBR head anodized	L NBR head anodized, flat seal on head										
Z FPM head anodized	M FPM head anodized, flat seal on head										
Main Connections		Aux size 1	Aux size 2								
G1 G 1 1/4"	G 1/2"		G 3/4"								
G4 1 1/4" NPT	1/2" NPT		3/4" NPT								
G7 SAE 20 - 1 5/8" - 12 UN	SAE 8 - 3/16" - 16 UNF		SAE 12 - 1 1/16" - 12 UN								
Aux connection - see previous table											
1 Aux size 1	2 Aux size 2										
Filtration rating (filter media)											
A03 Inorganic microfiber 3 µm	M25 Wire mesh 25 µm										
A06 Inorganic microfiber 6 µm	M60 Wire mesh 60 µm										
A10 Inorganic microfiber 10 µm	M90 Wire mesh 90 µm										
A16 Inorganic microfiber 16 µm	P10 Resin impregnated paper 10 µm										
A25 Inorganic microfiber 25 µm	P25 Resin impregnated paper 25 µm										
Element Δp		Filter media									
N 10 bar	Axx	Mxx	Pxx								
H 10 bar		•	•								
W 10 bar, compatible with fluids HFA, HFB and HFC	•	•									
				Bypass valve	Execution						
				E 3 bar	P01 MP Filtri standard						
				B 1.75 bar	Pxx Customized						

FILTER ELEMENT

Element series and size		Configuration example 1: MFx180 1 A25 H B E P01									
MFx180 Filter element with private spigot		Configuration example 2: MFx180 2 P10 N V P01									
Element length											
1											
2											
Filtration rating (filter media)											
A03 Inorganic microfiber 3 µm	M25 Wire mesh 25 µm										
A06 Inorganic microfiber 6 µm	M60 Wire mesh 60 µm										
A10 Inorganic microfiber 10 µm	M90 Wire mesh 90 µm										
A16 Inorganic microfiber 16 µm	P10 Resin impregnated paper 10 µm										
A25 Inorganic microfiber 25 µm	P25 Resin impregnated paper 25 µm										
Element Δp		Filter media									
N 10 bar	Axx	Mxx	Pxx								
H 10 bar		•	•								
W 10 bar, compatible with fluids HFA, HFB and HFC	•	•									
				Seals	Bypass valve	Execution					
				B NBR	E 3 bar	P01 MP Filtri standard					
				V FPM	1.75 bar	Pxx Customized					

ACCESSORIES

Indicators	page		page
BVA Axial pressure gauge	240	BEA Electrical pressure indicator	239
BVR Radial pressure gauge	240	BEM Electrical pressure indicator	239
BVP Visual pressure indicator with automatic reset	241	BLA Electrical / visual pressure indicator	239-240
BVQ Visual pressure indicator with manual reset	241		
Additional features	page		
TE Extension tube	248		
T5 Filler plug M30x1.5	249		



MPFX MPFX184 - MPFX194

Designation & Ordering code

COMPLETE FILTER

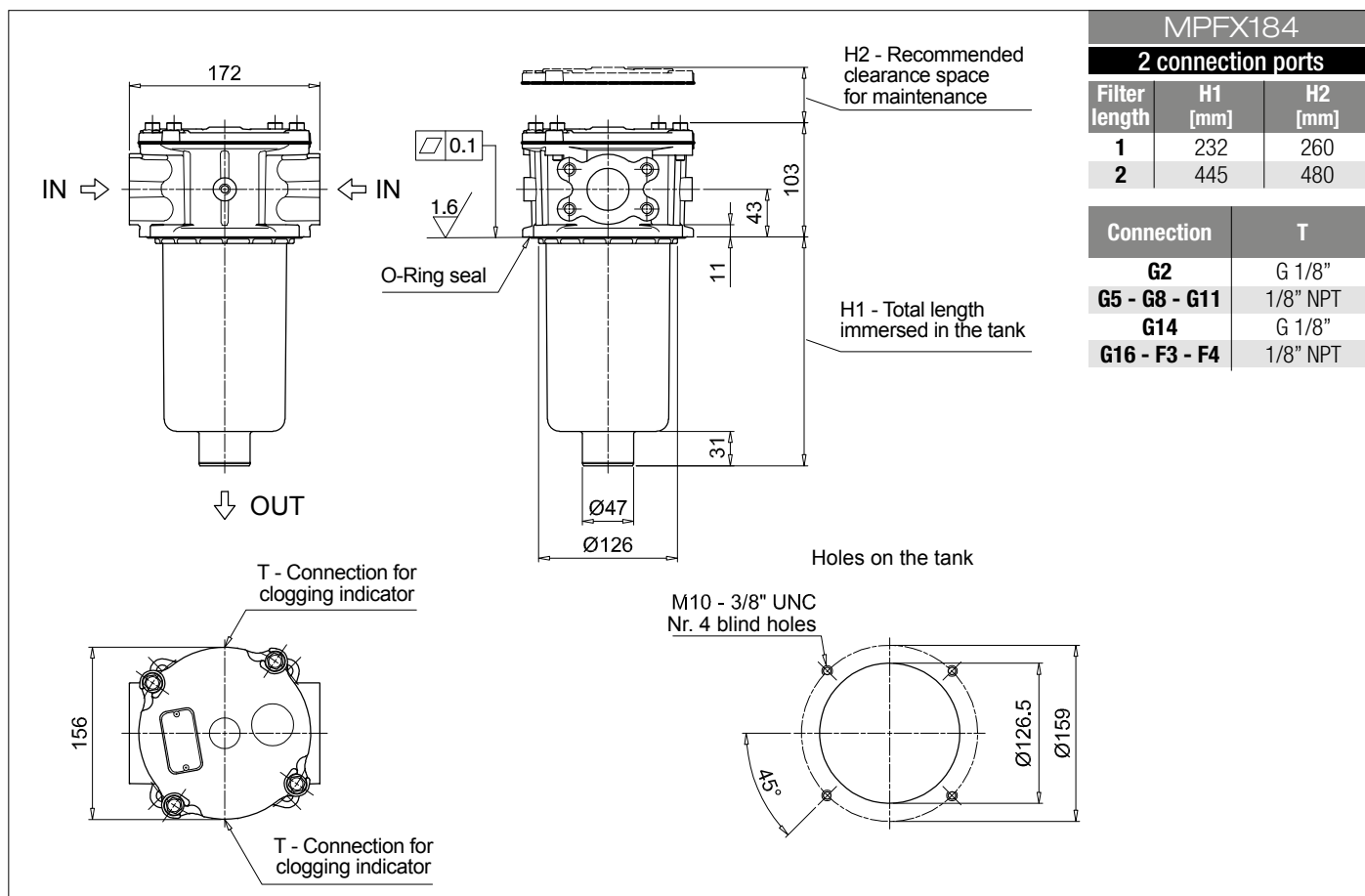
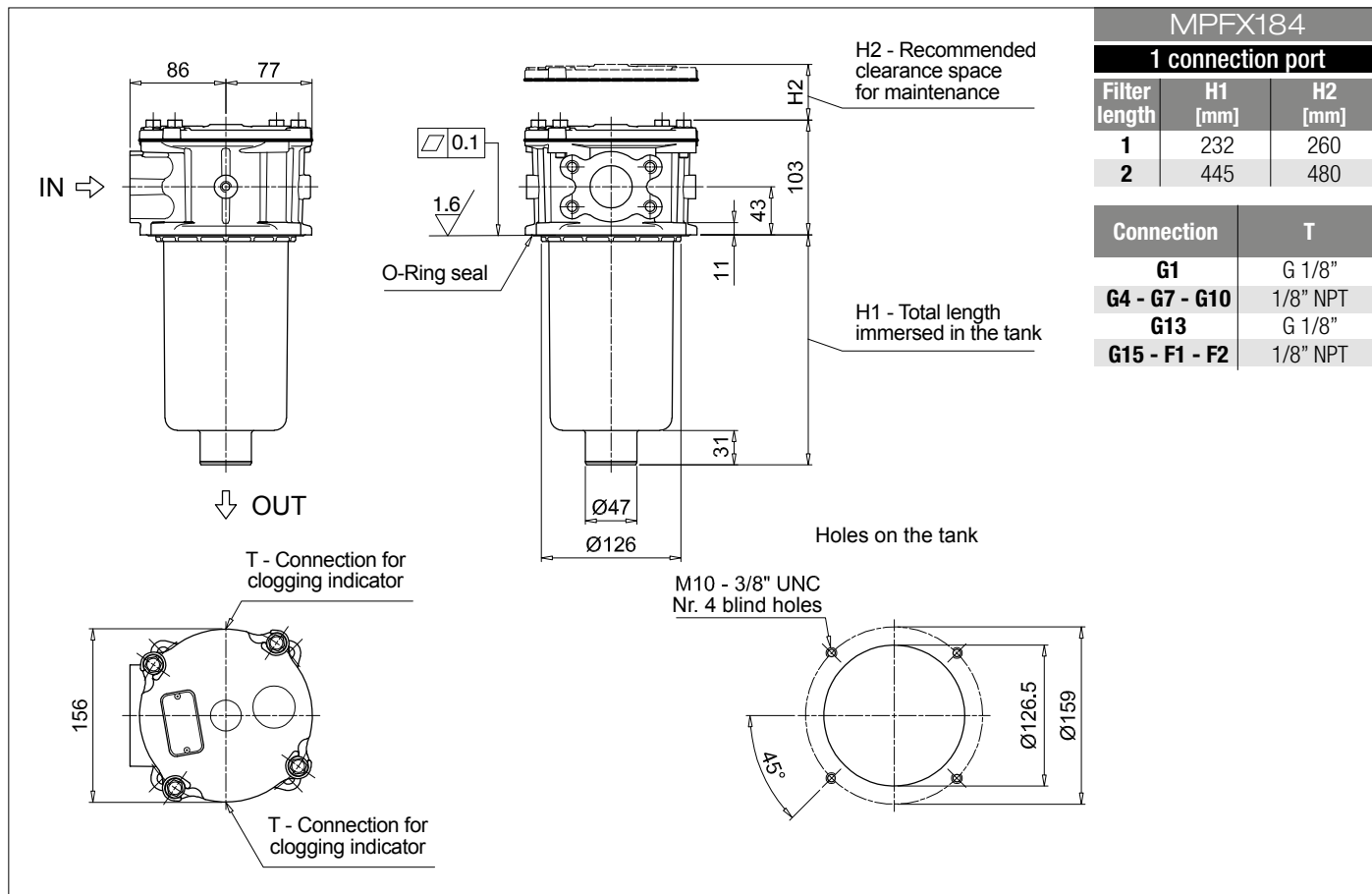
Series and size		Configuration example 1: MPFX184 1 A G1 A25 H E P01										
MPFX184 MPFX194 Filter element with private spigot		Configuration example 2: MPFX194 2 V F3 P10 N B P01										
Length	Size 184	Size 194										
1	•											
2	•	•										
Seals and treatments												
A NBR	W NBR	head anodized										
V FPM	Z FPM	head anodized										
Main Connections		Rear connections		Main Connections		Rear connections						
G1 G 1 1/4"	-		G13 G 1 1/2"	-								
G2 G 1 1/4"	G 1 1/4"		G14 G 1 1/2"	G 1 1/4"								
G4 1 1/4" NPT	-		G15 1 1/2" NPT	-								
G5 1 1/4" NPT	1 1/4" NPT		G16 1 1/2" NPT	1 1/4" NPT								
G7 SAE 20 - 1 5/8" - 12 UN	-		F1 1 1/2" SAE 3000 psi/M	-								
G8 SAE 20 - 1 5/8" - 12 UN	SAE 20 - 1 5/8" - 12 UN		F2 1 1/2" SAE 3000 psi/UNC	-								
G10 SAE 24 - 1 7/8" - 12 UN	-		F3 1 1/2" SAE 3000 psi/M	1 1/2" SAE 3000 psi/M								
G11 SAE 24 - 1 7/8" - 12 UN	SAE 20 - 1 5/8" - 12 UN		F4 1 1/2" SAE 3000 psi/UNC	1 1/2" SAE 3000 psi/UNC								
Filtration rating (filter media)												
A03 Inorganic microfiber 3 µm			M25 Wire mesh 25 µm									
A06 Inorganic microfiber 6 µm			M60 Wire mesh 60 µm									
A10 Inorganic microfiber 10 µm			M90 Wire mesh 90 µm									
A16 Inorganic microfiber 16 µm			P10 Resin impregnated paper 10 µm									
A25 Inorganic microfiber 25 µm			P25 Resin impregnated paper 25 µm									
Element Δp		Filter media										
N 10 bar	Axx	Mxx	Pxx									
H 10 bar		•	•									
W 10 bar, compatible with fluids HFA, HFB and HFC	•	•										
				Bypass valve		Execution						
				E 3 bar		P01 MP Filtri standard						
				B 1.75 bar		Pxx Customized						

FILTER ELEMENT

Element series and size		Configuration example 1: MPFX180 1 A25 H B E P01									
MPFX180 Filter element with private spigot		Configuration example 2: MPFX180 2 P10 N V P01									
Element length											
1											
2											
Filtration rating (filter media)											
A03 Inorganic microfiber 3 µm			M25 Wire mesh 25 µm								
A06 Inorganic microfiber 6 µm			M60 Wire mesh 60 µm								
A10 Inorganic microfiber 10 µm			M90 Wire mesh 90 µm								
A16 Inorganic microfiber 16 µm			P10 Resin impregnated paper 10 µm								
A25 Inorganic microfiber 25 µm			P25 Resin impregnated paper 25 µm								
Element Δp		Filter media									
N 10 bar	Axx	Mxx	Pxx								
H 10 bar		•	•								
W 10 bar, compatible with fluids HFA, HFB and HFC	•	•									
				Seals		Bypass valve		Execution			
				B NBR		E 3 bar		P01 MP Filtri standard			
				V FPM		1.75 bar		Pxx Customized			

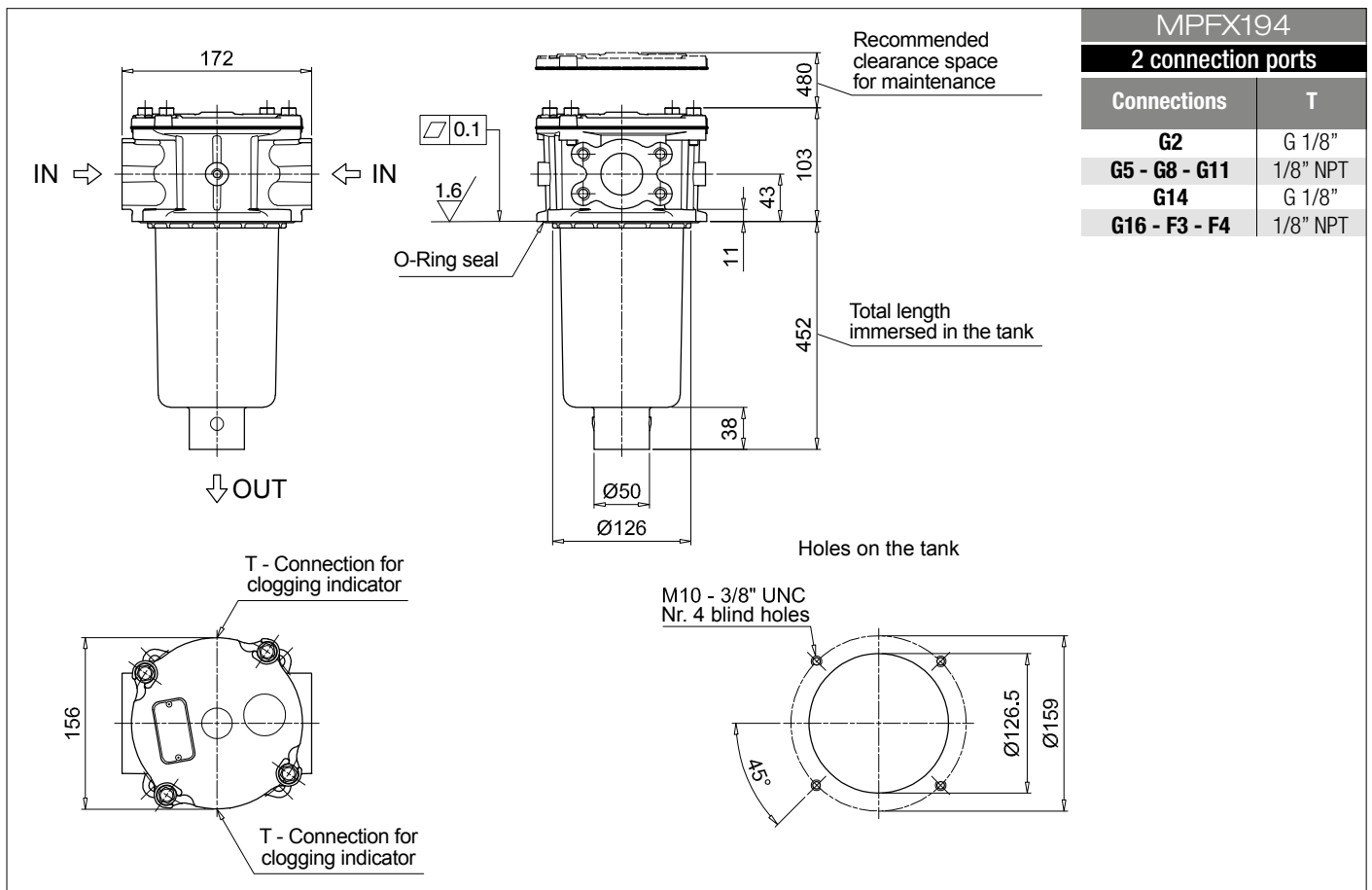
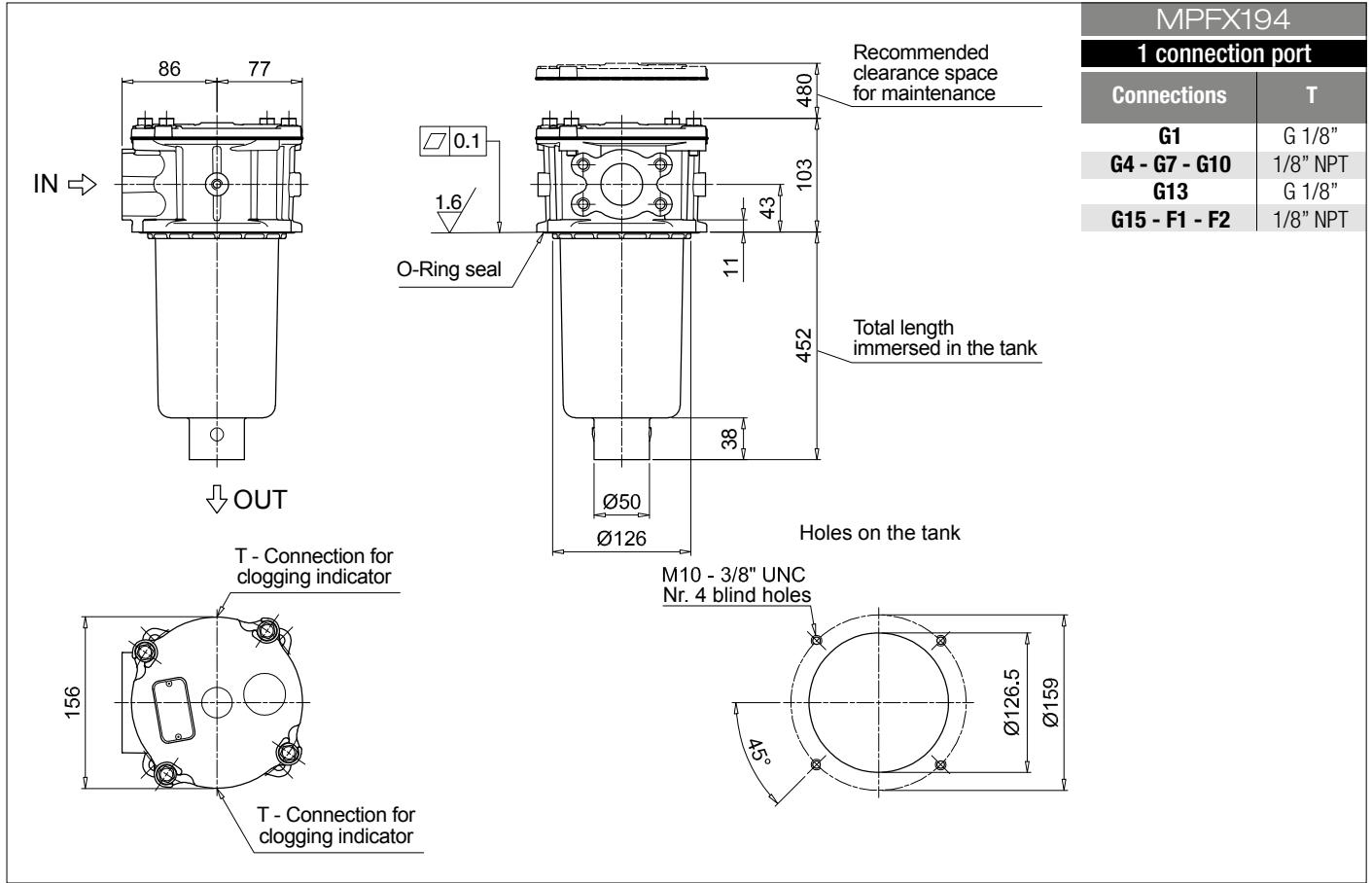
ACCESSORIES

Indicators		page			page
BVA Axial pressure gauge	240		BEA Electrical pressure indicator	239	
BVR Radial pressure gauge	240		BEM Electrical pressure indicator	239	
BVP Visual pressure indicator with automatic reset	241		BLA Electrical / visual pressure indicator	239-240	
BVQ Visual pressure indicator with manual reset	241				
Additional features		page			
TE Extension tube	248				
T5 Filler plug M30x1.5	249				



MPFX MPFX184 - MPFX194

Dimensions



Designation & Ordering code

COMPLETE FILTER

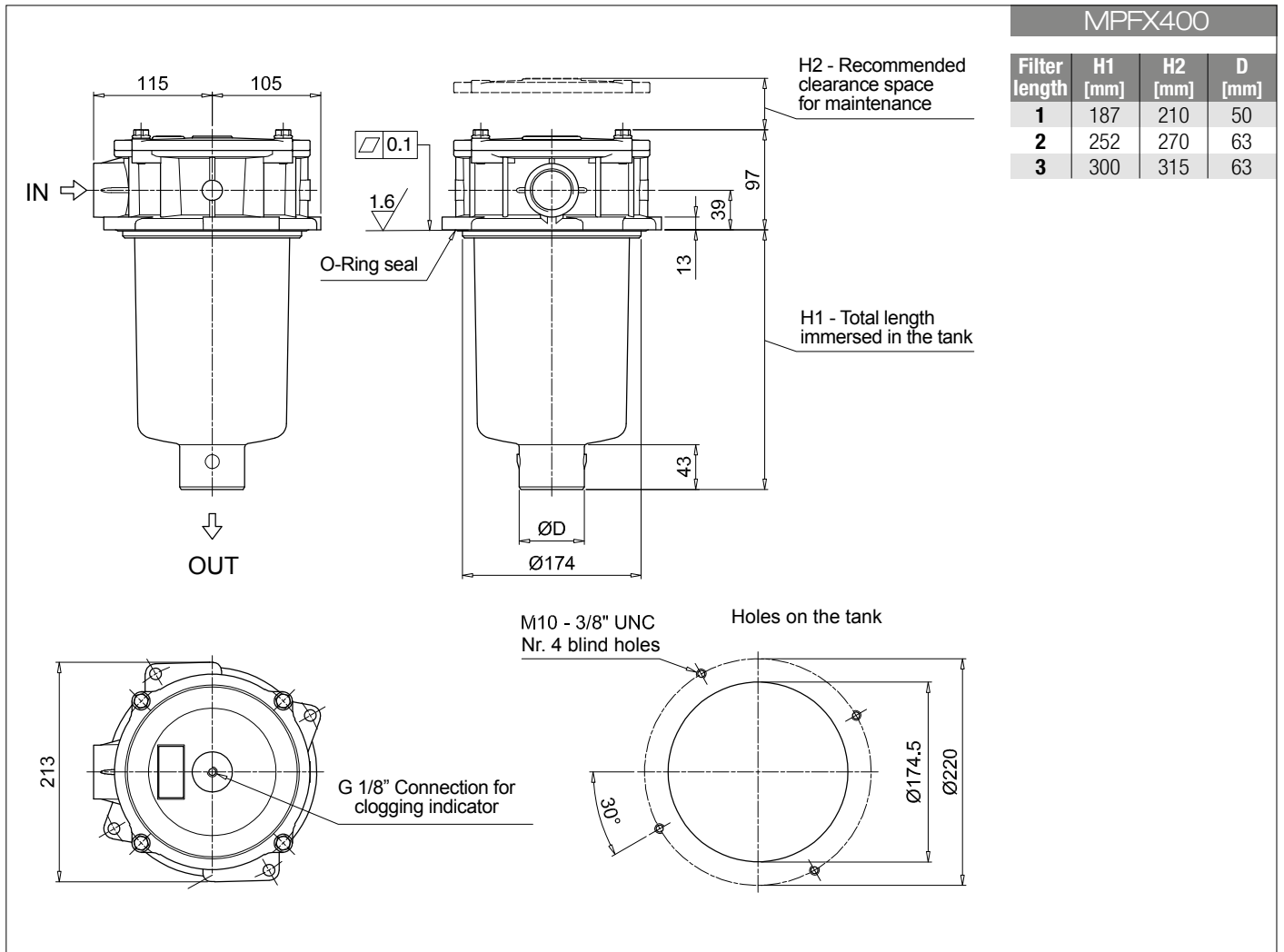
Series and size MPFX400 Filter element with private spigot	Configuration example 1: MPFX400 1 A G9 A25 H B P01
	Configuration example 2: MPFX400 2 V G4 P10 N E P01
Length 1 2 3	
Seals and treatments A NBR V FPM W NBR head anodized Z FPM head anodized	
Connections G1 G 1 1/4" G6 2" NPT G2 G 1 1/2" G7 SAE 20 - 1 5/8" - 12 UN G3 G 2" G8 SAE 24 - 1 7/8" - 12 UN G4 1 1/4" NPT G9 SAE 32 - 2 1/2" - 12 UN G5 1 1/2" NPT	
Filtration rating (filter media) A03 Inorganic microfiber 3 µm M25 Wire mesh 25 µm A06 Inorganic microfiber 6 µm M60 Wire mesh 60 µm A10 Inorganic microfiber 10 µm M90 Wire mesh 90 µm A16 Inorganic microfiber 16 µm P10 Resin impregnated paper 10 µm A25 Inorganic microfiber 25 µm P25 Resin impregnated paper 25 µm	
Element Δp N 10 bar H 10 bar W 10 bar, compatible with fluids HFA, HFB and HFC	Filter media Axx Mxx Pxx • • • • • •
	Bypass valve E 3 bar B 1.75 bar
	Execution P01 MP Filtri standard Pxx Customized

FILTER ELEMENT

Element series and size MPFX400 Filter element with private spigot	Configuration example 1: MPFX400 1 A25 H B P01
	Configuration example 2: MPFX400 2 P10 N V E P01
Element length 1 2 3	
Filtration rating (filter media) A03 Inorganic microfiber 3 µm M25 Wire mesh 25 µm A06 Inorganic microfiber 6 µm M60 Wire mesh 60 µm A10 Inorganic microfiber 10 µm M90 Wire mesh 90 µm A16 Inorganic microfiber 16 µm P10 Resin impregnated paper 10 µm A25 Inorganic microfiber 25 µm P25 Resin impregnated paper 25 µm	
Element Δp N 10 bar H 10 bar W 10 bar, compatible with fluids HFA, HFB and HFC	Filter media Axx Mxx Pxx • • • • • •
	Seals B NBR V FPM
	Bypass valve E 3 bar B 1.75 bar
	Execution P01 MP Filtri standard Pxx Customized

ACCESSORIES

Indicators	page		page
BVA Axial pressure gauge	240	BEA Electrical pressure indicator	239
BVR Radial pressure gauge	240	BEM Electrical pressure indicator	239
BVP Visual pressure indicator with automatic reset	241	BLA Electrical / visual pressure indicator	239-240
BVQ Visual pressure indicator with manual reset	241		
Additional features	page		
T5 Filler plug M30x1.5	249		



Designation & Ordering code

COMPLETE FILTER

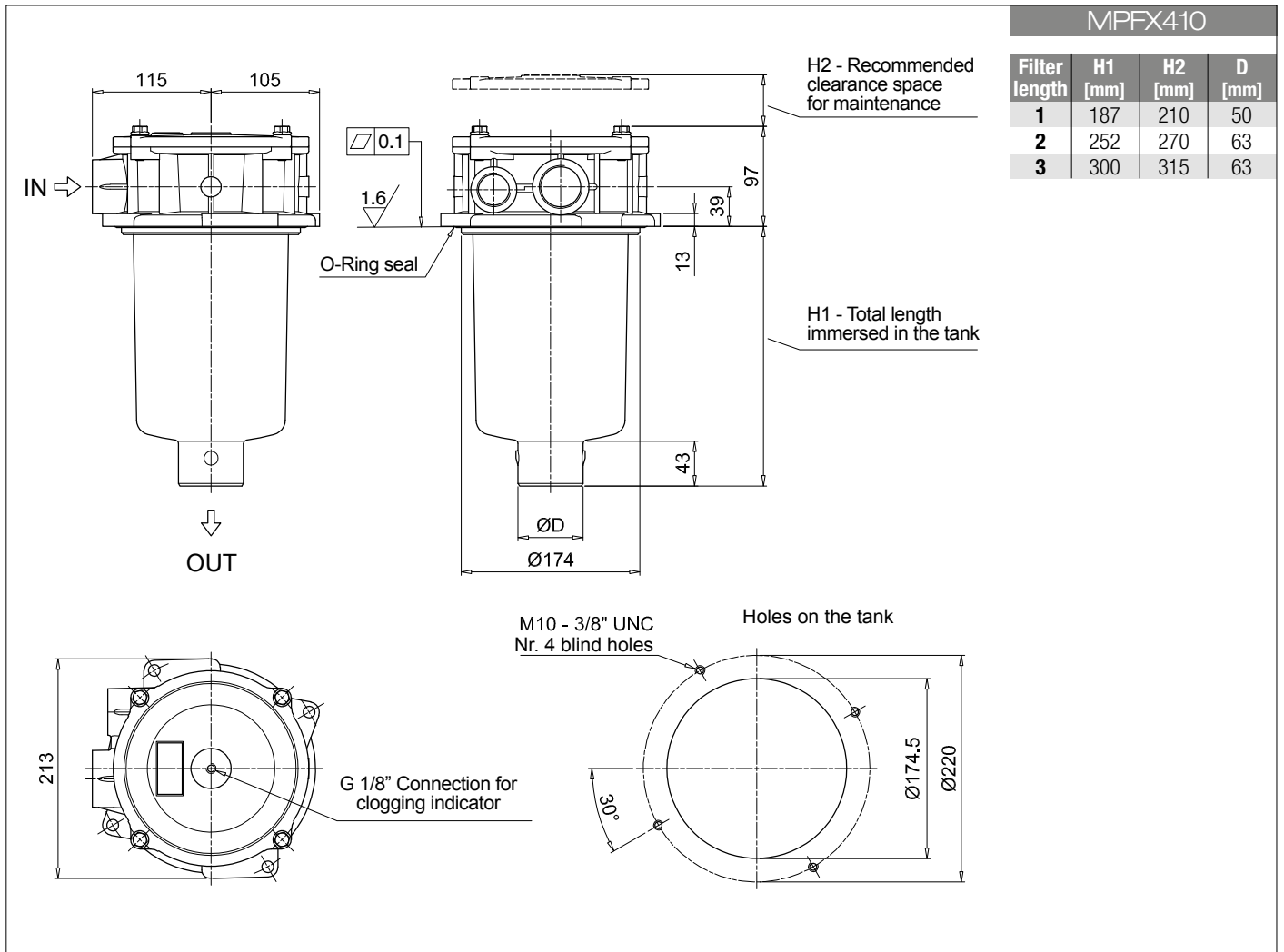
Series and size	Configuration example 1: MPFX410 1 V G4 1 P10 N E P01																											
MPFX410 Filter element with private spigot	Configuration example 2: MPFX410 1 A G1 1 A25 H B P01																											
Length	1 2 3																											
Seals and treatments	A NBR V FPM W NBR head anodized Z FPM head anodized																											
Main Connections	<table border="1"> <thead> <tr> <th></th> <th>Aux size 1</th> </tr> </thead> <tbody> <tr> <td>G1 G 1 1/4"</td> <td>G 1"</td> </tr> <tr> <td>G4 1 1/4" NPT</td> <td>1" NPT</td> </tr> <tr> <td>G7 SAE 20 - 1 5/8" - 12 UN</td> <td>SAE 16 - 1 5/16" - 12 UN</td> </tr> </tbody> </table>										Aux size 1	G1 G 1 1/4"	G 1"	G4 1 1/4" NPT	1" NPT	G7 SAE 20 - 1 5/8" - 12 UN	SAE 16 - 1 5/16" - 12 UN											
	Aux size 1																											
G1 G 1 1/4"	G 1"																											
G4 1 1/4" NPT	1" NPT																											
G7 SAE 20 - 1 5/8" - 12 UN	SAE 16 - 1 5/16" - 12 UN																											
Aux connection - see previous table	1 Aux size 1																											
Filtration rating (filter media)	<table border="1"> <tbody> <tr> <td>A03 Inorganic microfiber 3 µm</td> <td>M25 Wire mesh 25 µm</td> </tr> <tr> <td>A06 Inorganic microfiber 6 µm</td> <td>M60 Wire mesh 60 µm</td> </tr> <tr> <td>A10 Inorganic microfiber 10 µm</td> <td>M90 Wire mesh 90 µm</td> </tr> <tr> <td>A16 Inorganic microfiber 16 µm</td> <td>P10 Resin impregnated paper 10 µm</td> </tr> <tr> <td>A25 Inorganic microfiber 25 µm</td> <td>P25 Resin impregnated paper 25 µm</td> </tr> </tbody> </table>									A03 Inorganic microfiber 3 µm	M25 Wire mesh 25 µm	A06 Inorganic microfiber 6 µm	M60 Wire mesh 60 µm	A10 Inorganic microfiber 10 µm	M90 Wire mesh 90 µm	A16 Inorganic microfiber 16 µm	P10 Resin impregnated paper 10 µm	A25 Inorganic microfiber 25 µm	P25 Resin impregnated paper 25 µm									
A03 Inorganic microfiber 3 µm	M25 Wire mesh 25 µm																											
A06 Inorganic microfiber 6 µm	M60 Wire mesh 60 µm																											
A10 Inorganic microfiber 10 µm	M90 Wire mesh 90 µm																											
A16 Inorganic microfiber 16 µm	P10 Resin impregnated paper 10 µm																											
A25 Inorganic microfiber 25 µm	P25 Resin impregnated paper 25 µm																											
Element Δp	<table border="1"> <thead> <tr> <th rowspan="2"></th> <th colspan="3">Filter media</th> </tr> <tr> <th>Axx</th> <th>Mxx</th> <th>Pxx</th> </tr> </thead> <tbody> <tr> <td>N 10 bar</td> <td></td> <td>•</td> <td>•</td> </tr> <tr> <td>H 10 bar</td> <td></td> <td>•</td> <td></td> </tr> <tr> <td>W 10 bar, compatible with fluids HFA, HFB and HFC</td> <td>•</td> <td>•</td> <td></td> </tr> </tbody> </table>										Filter media			Axx	Mxx	Pxx	N 10 bar		•	•	H 10 bar		•		W 10 bar, compatible with fluids HFA, HFB and HFC	•	•	
	Filter media																											
	Axx	Mxx	Pxx																									
N 10 bar		•	•																									
H 10 bar		•																										
W 10 bar, compatible with fluids HFA, HFB and HFC	•	•																										
				Bypass valve		Execution																						
				E 3 bar		P01 MP Filtri standard																						
				B 1.75 bar		Pxx Customized																						

FILTER ELEMENT

Element series and size	Configuration example 1: MFX400 1 P10 N V E P01																											
MFX400 Filter element with private spigot	Configuration example 2: MFX400 1 A25 H B P01																											
Element length	1 2 3																											
Filtration rating (filter media)	<table border="1"> <tbody> <tr> <td>A03 Inorganic microfiber 3 µm</td> <td>M25 Wire mesh 25 µm</td> </tr> <tr> <td>A06 Inorganic microfiber 6 µm</td> <td>M60 Wire mesh 60 µm</td> </tr> <tr> <td>A10 Inorganic microfiber 10 µm</td> <td>M90 Wire mesh 90 µm</td> </tr> <tr> <td>A16 Inorganic microfiber 16 µm</td> <td>P10 Resin impregnated paper 10 µm</td> </tr> <tr> <td>A25 Inorganic microfiber 25 µm</td> <td>P25 Resin impregnated paper 25 µm</td> </tr> </tbody> </table>									A03 Inorganic microfiber 3 µm	M25 Wire mesh 25 µm	A06 Inorganic microfiber 6 µm	M60 Wire mesh 60 µm	A10 Inorganic microfiber 10 µm	M90 Wire mesh 90 µm	A16 Inorganic microfiber 16 µm	P10 Resin impregnated paper 10 µm	A25 Inorganic microfiber 25 µm	P25 Resin impregnated paper 25 µm									
A03 Inorganic microfiber 3 µm	M25 Wire mesh 25 µm																											
A06 Inorganic microfiber 6 µm	M60 Wire mesh 60 µm																											
A10 Inorganic microfiber 10 µm	M90 Wire mesh 90 µm																											
A16 Inorganic microfiber 16 µm	P10 Resin impregnated paper 10 µm																											
A25 Inorganic microfiber 25 µm	P25 Resin impregnated paper 25 µm																											
Element Δp	<table border="1"> <thead> <tr> <th rowspan="2"></th> <th colspan="3">Filter media</th> </tr> <tr> <th>Axx</th> <th>Mxx</th> <th>Pxx</th> </tr> </thead> <tbody> <tr> <td>N 10 bar</td> <td></td> <td>•</td> <td>•</td> </tr> <tr> <td>H 10 bar</td> <td></td> <td>•</td> <td></td> </tr> <tr> <td>W 10 bar, compatible with fluids HFA, HFB and HFC</td> <td>•</td> <td>•</td> <td></td> </tr> </tbody> </table>										Filter media			Axx	Mxx	Pxx	N 10 bar		•	•	H 10 bar		•		W 10 bar, compatible with fluids HFA, HFB and HFC	•	•	
	Filter media																											
	Axx	Mxx	Pxx																									
N 10 bar		•	•																									
H 10 bar		•																										
W 10 bar, compatible with fluids HFA, HFB and HFC	•	•																										
	Seals		Bypass valve		Execution																							
	B NBR		E 3 bar		P01 MP Filtri standard																							
	V FPM		1.75 bar		Pxx Customized																							

ACCESSORIES

Indicators	page		page
BVA Axial pressure gauge	240	BEA Electrical pressure indicator	239
BVR Radial pressure gauge	240	BEM Electrical pressure indicator	239
BVP Visual pressure indicator with automatic reset	241	BLA Electrical / visual pressure indicator	239-240
BVQ Visual pressure indicator with manual reset	241		
Additional features	page		
T5 Filler plug M30x1.5	249		



MPFX MPFX450 - MPFX451 - MPFX750

Designation & Ordering code

COMPLETE FILTER

Series and size				Configuration example 1: MPFX450 1 A G1 A25 H B P01										
MPFX450 MPFX451 MPFX750 Filter element with private spigot				Configuration example 2: MPFX750 1 V F2 P10 N E P01										
Length		MPFX 450	MPFX 451	MPFX 750										
1		•	•	•										
2		•	•											
3		•	•											
Seals and treatments														
A NBR		W NBR head anodized												
V FPM		Z FPM head anodized												
Connections				Aux (only size 451)										
G1 G 2"		G 3/4"												
G4 2" NPT		3/4" NPT												
G7 SAE 32 - 2 1/2" - 12 UN		SAE 12 - 1 1/16" - 12 UN												
F1 2" SAE 3000 psi/M		G 3/4"												
F2 2" SAE 3000 psi/UN		3/4" NPT												
Filtration rating (filter media)														
A03 Inorganic microfiber 3 µm		M25 Wire mesh 25 µm												
A06 Inorganic microfiber 6 µm		M60 Wire mesh 60 µm												
A10 Inorganic microfiber 10 µm		M90 Wire mesh 90 µm												
A16 Inorganic microfiber 16 µm		P10 Resin impregnated paper 10 µm												
A25 Inorganic microfiber 25 µm		P25 Resin impregnated paper 25 µm												
Element Δp				Filter media										
				Axx	Mxx	Pxx								
N 10 bar					•	•								
H 10 bar				•										
W 10 bar, compatible with fluids HFA, HFB and HFC				•	•									
								Bypass valve		Execution				
								E 3 bar		P01 MP Filtri standard				
								B 1.75 bar		Pxx Customized				

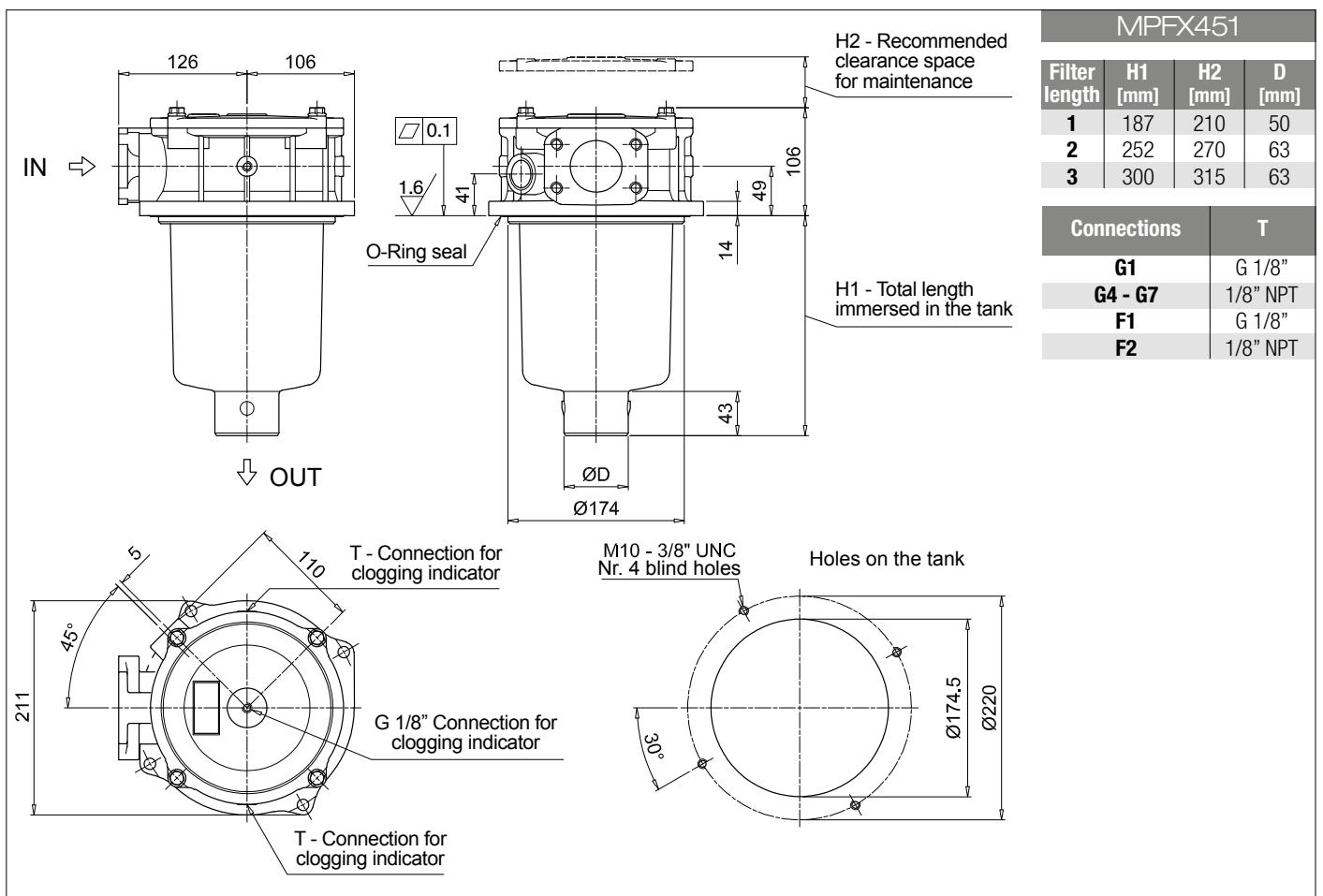
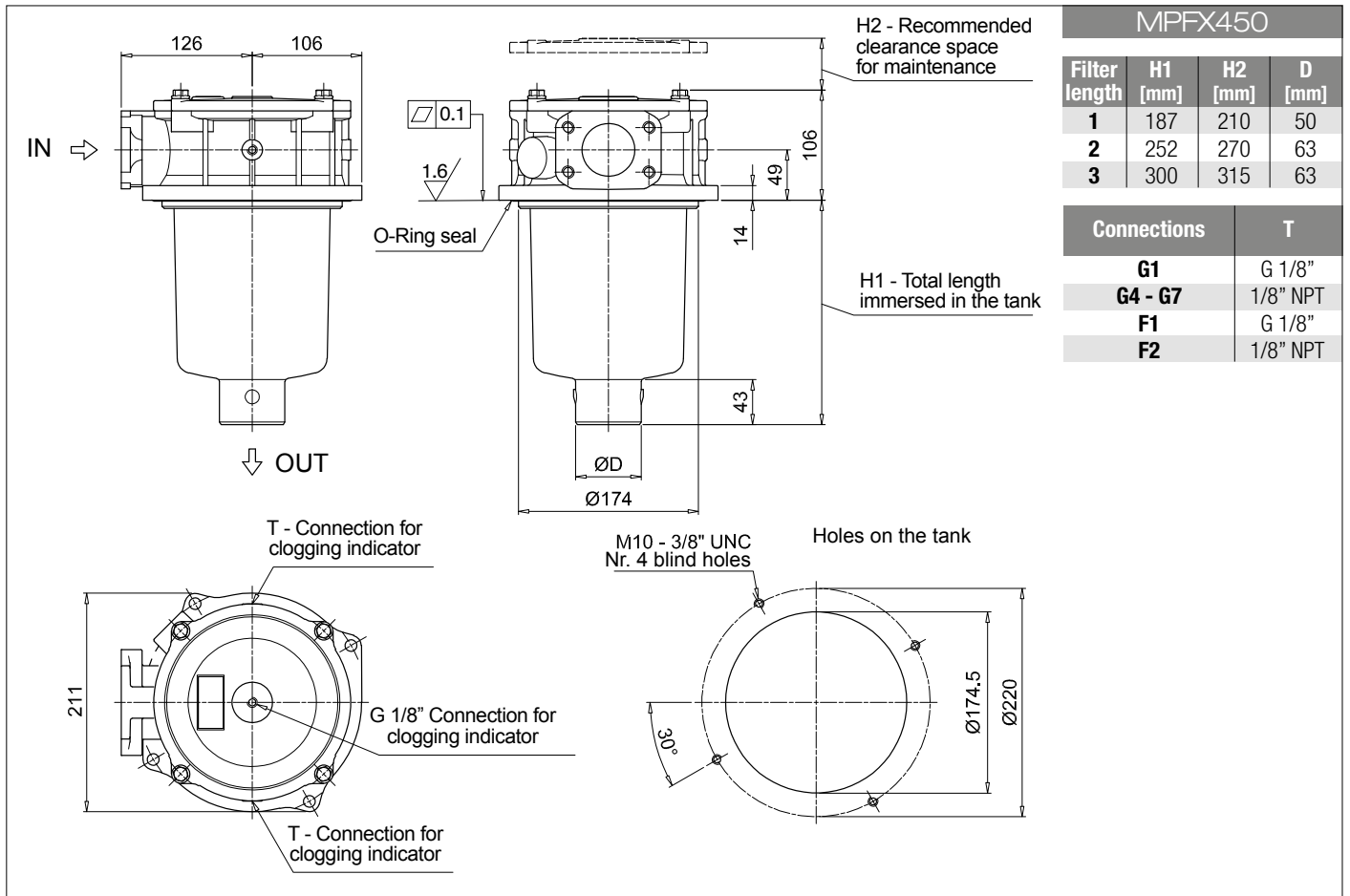
FILTER ELEMENT

Element series and size				Configuration example 1: MFx400 1 A25 H B P01										
MFx400 MFx750 Filter element with private spigot				Configuration example 2: MFx750 1 P10 N V E P01										
Element length		MPFX 450	MPFX 451	MPFX 750										
1		•	•	•										
2		•	•											
3		•	•											
Filtration rating (filter media)														
A03 Inorganic microfiber 3 µm		M25 Wire mesh 25 µm												
A06 Inorganic microfiber 6 µm		M60 Wire mesh 60 µm												
A10 Inorganic microfiber 10 µm		M90 Wire mesh 90 µm												
A16 Inorganic microfiber 16 µm		P10 Resin impregnated paper 10 µm												
A25 Inorganic microfiber 25 µm		P25 Resin impregnated paper 25 µm												
Element Δp				Filter media										
				Axx	Mxx	Pxx								
N 10 bar					•	•								
H 10 bar				•										
W 10 bar, compatible with fluids HFA, HFB and HFC				•	•									
				Seals		Bypass valve		Execution						
				B NBR		E 3 bar		P01 MP Filtri standard						
				V FPM		1.75 bar		Pxx Customized						

ACCESSORIES

Indicators		page			page
BVA Axial pressure gauge		240	BEA Electrical pressure indicator		239
BVR Radial pressure gauge		240	BEM Electrical pressure indicator		239
BVP Visual pressure indicator with automatic reset		241	BLA Electrical / visual pressure indicator		239-240
BVQ Visual pressure indicator with manual reset		241			

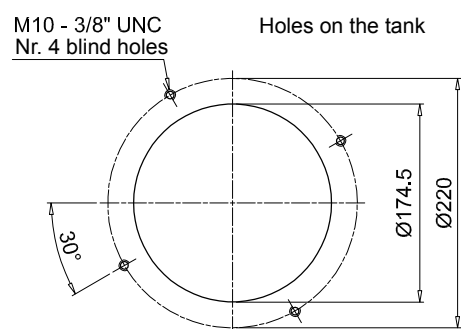
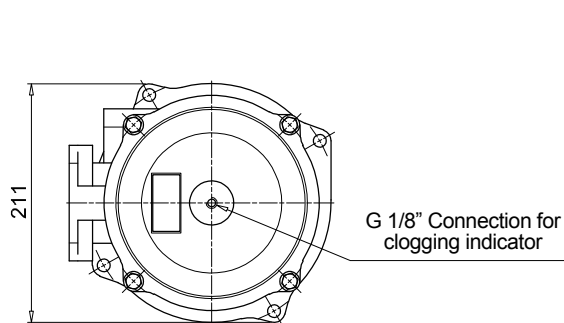
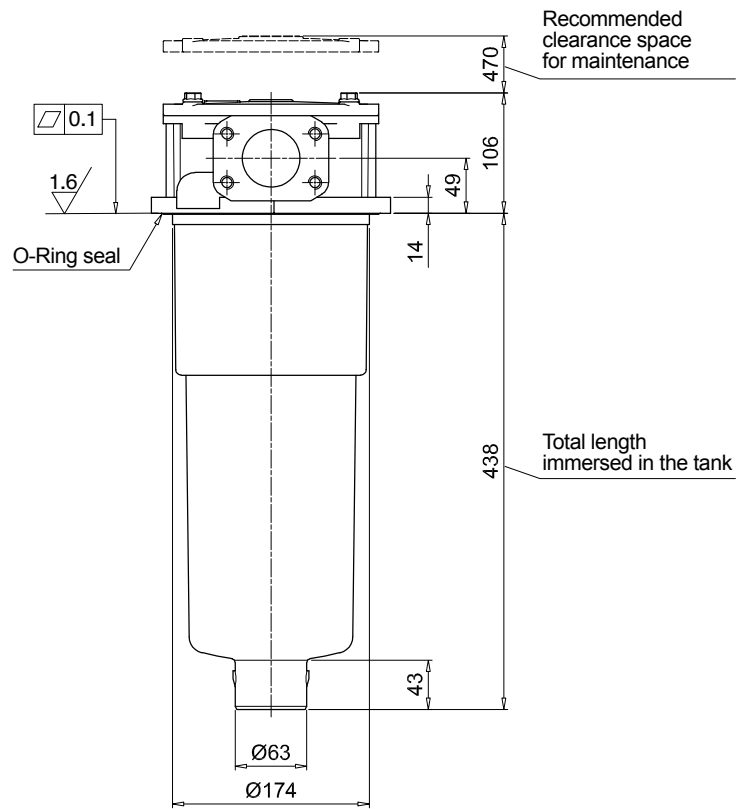
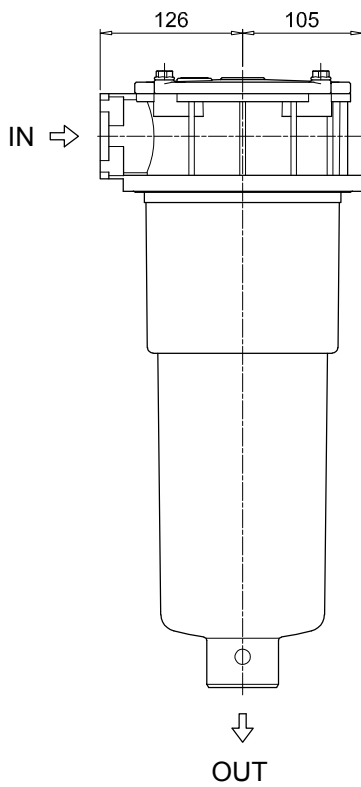
Additional features		page
T5 Filler plug M30x1.5		249



MPFX MPFX450 - MPFX451 - MPFX750

Dimensions

MPFX750



MPFX 100

MPFX 181

O-RING SEAL

	Q.ty: 1 pc.	Q.ty: 1 pc.	
Item:	2	3 (3a ÷ 3d)	
Filter series	Filter element	Seal Kit code number	
		NBR	FPM
MPFX 030	See order table	02050675	02050676
MPFX 100-110		02050677	02050678
MPFX 181-182		02050681	02050682
MPFX 184		02050685	02050686
MPFX 191-192		02050683	02050684
MPFX 194		02050687	02050688
MPFX 400-410		02050695	02050696
MPFX 450-451		02050697	02050698
MPFX 750		02050699	02050700

MPFX 104

MPFX 181

FLAT SEAL

	Q.ty: 1 pc.	Q.ty: 1 pc.	
Item:	2	3 (3a ÷ 3d)	
Filter series	Filter element	Seal Kit code number	
		NBR	FPM
MPFX 104	See order table	02050679	02050680
MPFX 181-182		02050691	02050692
MPFX 191-192		02050691	02050692