

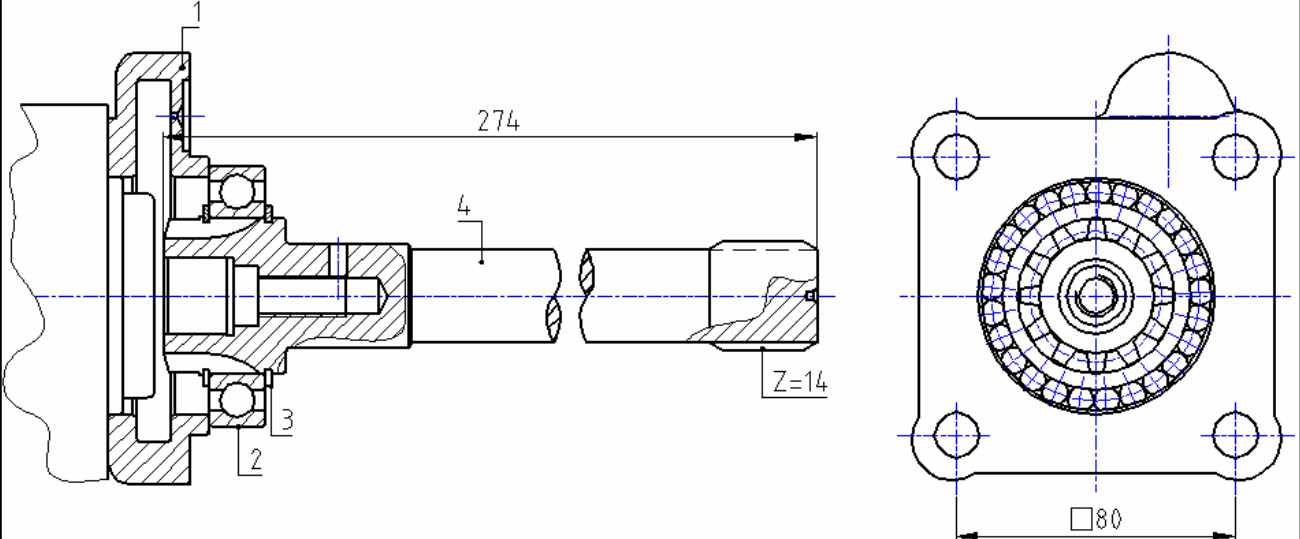
## Adapter KIT to Power Take Offs

Ref. VK4023S

ZF

16-S-2200 IT ; 12-AS-1800IT ; 16-S-2301 IT ; 16-S-2601 IT

### Main Dimensions



- 1 – Spacer
- 2 – Bearing
- 3 – Circlip
- 4 – Adapter shaft VK 4023

### Main Data

<b>Continuous Torque (Nm)</b>	<b>600</b>
<b>Intermittent Torque (Nm)</b>	<b>840</b>
<b>Power (at 1000 r.p.m)</b>	<b>85 C.V. / 64 Kw</b>
<b>Weight (Kg)</b>	<b>2.9</b>
<b>Engine-Kit adapter ratio</b>	

### KIT Studs:

KIT VK4023S for PTO (ratio 1:1)

- 4 stud M12x135
- 4 nut M12
- 4 washer
- 1 jute ZF
- 1 jute AS

CTI\VK4023S 0502-0



ABER - Embraiagens e Comandos Hidráulicos - A. B. LDA

Rua Francisco de Almeida, Nº 30 – Vila Nova da Telha – 4470 MAIA - Portugal

Telefone: +351.22.9438070 Fax: +351.22.9420823 e-mail: [aber@aber.pt](mailto:aber@aber.pt) <http://www.aber.pt>