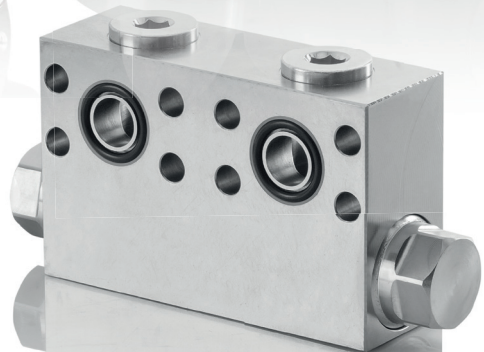




## Accessories

The solutions for all your needs





# A complete range of accessories

**Sunfab develops, produces and sells piston pumps and motors for operating demanding hydraulic equipment in mobile applications. We also supply a unique range of accessories, which you will find in the following pages.**


Sunfab's accessories are a unique range of components designed to meet a bodybuilder's need of basic hydraulic installations.


The vehicle's basic hydraulic installation requires a power take off, pump and hydraulic connections. Not to mention suspension fittings and perhaps adapter flanges with intermediate shaft assembly and the possibility of a distributing gearbox.

Sunfab's vast experience and close co-operation with vehicle bodybuilders forms the basis of our selection of suitable accessories.

The accessories are tested and appraised to maintain the same high quality that characterizes Sunfab pumps and motors.

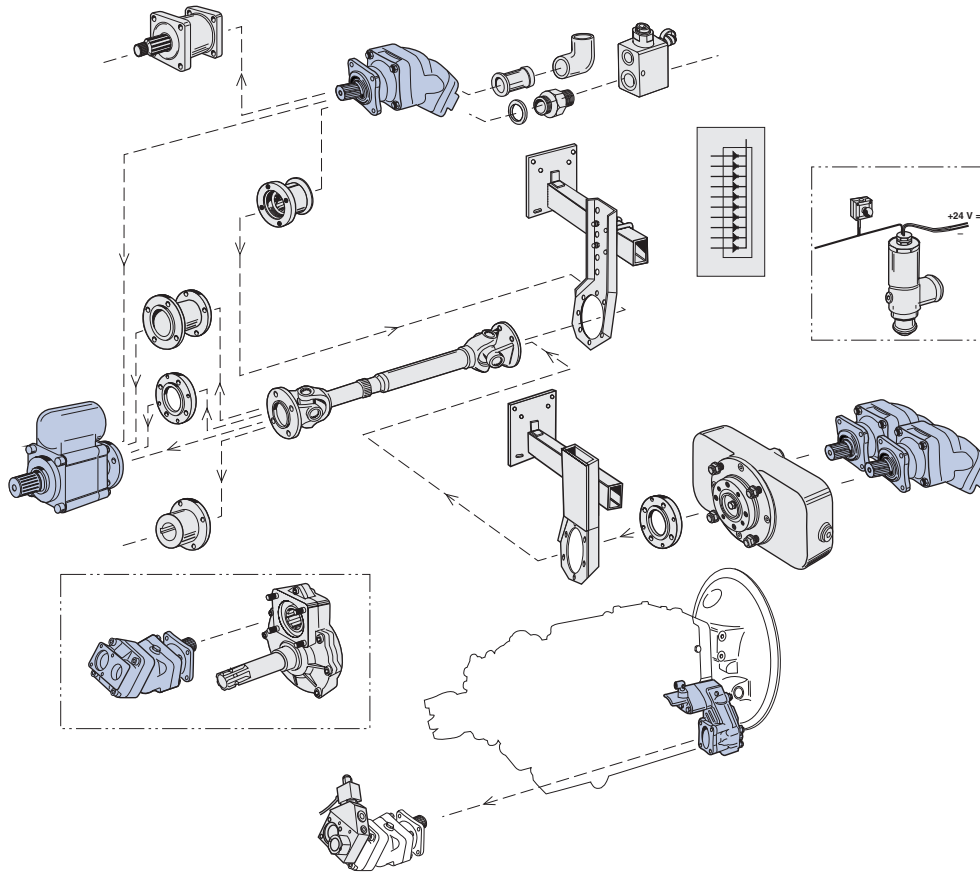


If the part number is followed by a symbol  this indicates that assembly fittings are supplied.

The symbol  refers to a page number with further details.



# Content Overview



## Pumps

### Connections

Suction Connections	4
Adapter 45°	5
Checkvalves/Pressure connections	6
Connection rubber 90°	7

### Gearboxes

Tracpower Gearbox	8
Splitter Gearbox	9

### Brackets

DIN 5462 (ZF)	10
SZ 118/154	11

### Shaft and flanges

Drive Shafts	12
Adapter flange - splitter gearbox	13

Adapter flanges	14
Splined drive flanges	19
Neutral Drive flanges	20
Drive flanges	21

### Adapters

Special adapter SCANIA	22
Distance Adapter Kit	23
Flange & adapter for DIN power take off	24

### Valves

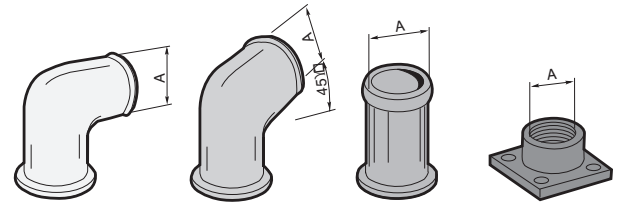
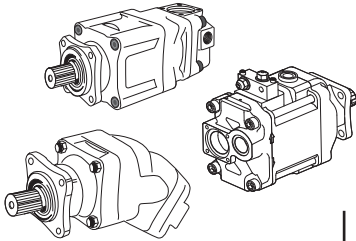
By-Pass Valve	25
Pressure relief valve	26

### Various

Diode Gate	27
------------	----



## Suction Connections Sauganschlüsse Suganslutningar



	A		max. l/min				
	mm	inch					
SAP 012-064 SCP 012-064 SAPT 090	32	1 1/4"	50	—	—	18245	—
	38	1 1/2"	65	18400	20100	18048	—
	42	1 5/8"	85	—	20136	—	—
	45	1 3/4"	110	—	20423	—	—
	50	2"	120	18401	20101	18047	—
	64	2 1/2"	165	—	20139	—	—
		G 1"	50	—	—	—	50403
SAP 084-108 SCP 084-108 SAPT 130 SCPD 56/26, 76/76 SLPD 20/20-64/32 SVH 062-130	38	1 1/2"	65	18402	—	18049	—
	42	1 5/8"	85	—	20137	—	—
	45	1 3/4"	110	—	20424	—	—
	50	2"	120	18403	20102	17890	—
	64	2 1/2"	165	18394	20103	18603	—
	75	3"	260	—	20274	18366	—
		G 1 1/4"	80	—	—	—	50404

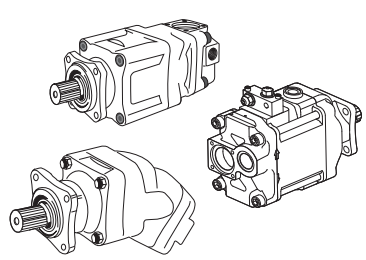
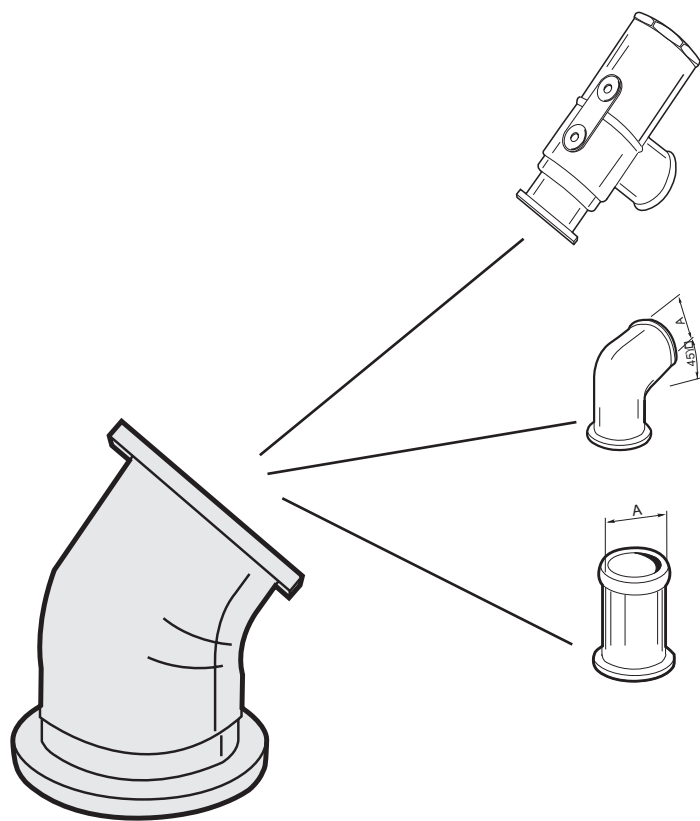
Given flows valid for mineral oil  
and 1 bar in the suction line.

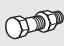

Die angegebenen Volumenströme beziehen  
sich auf Mineralöle bei einem Ansaugdruck  
von 1 bar in der Saugleitung.

Angivna flöden gäller för mineral-  
olja och 1 bar i sugledningen.

Ver. 1 2014

# Adapter 45°



<p>SAP 084-108, SAP T 130                  SCP 084-130                  SCPD 56/26, 76/76                  SLPD, SVH</p>	<p>18273 </p>	<p> PUMP 4</p>
--	--	---

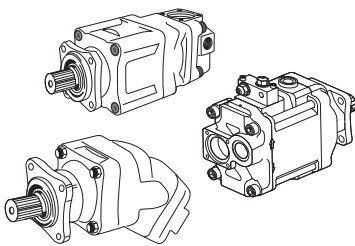
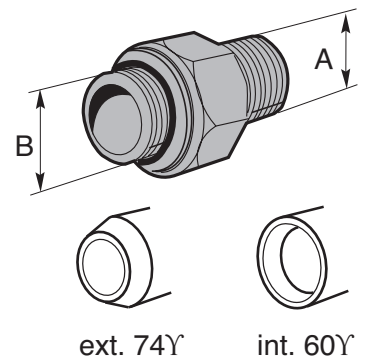
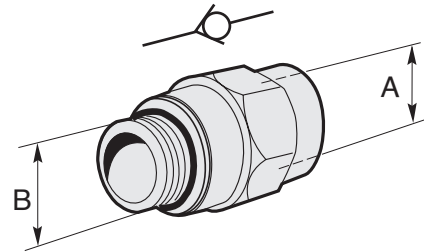
Ver. 1 2014



Checkvalves  
Pressure connections

Rückschlagventilen  
Druckanschlüsse

Backventiler  
Tryckanslutningar

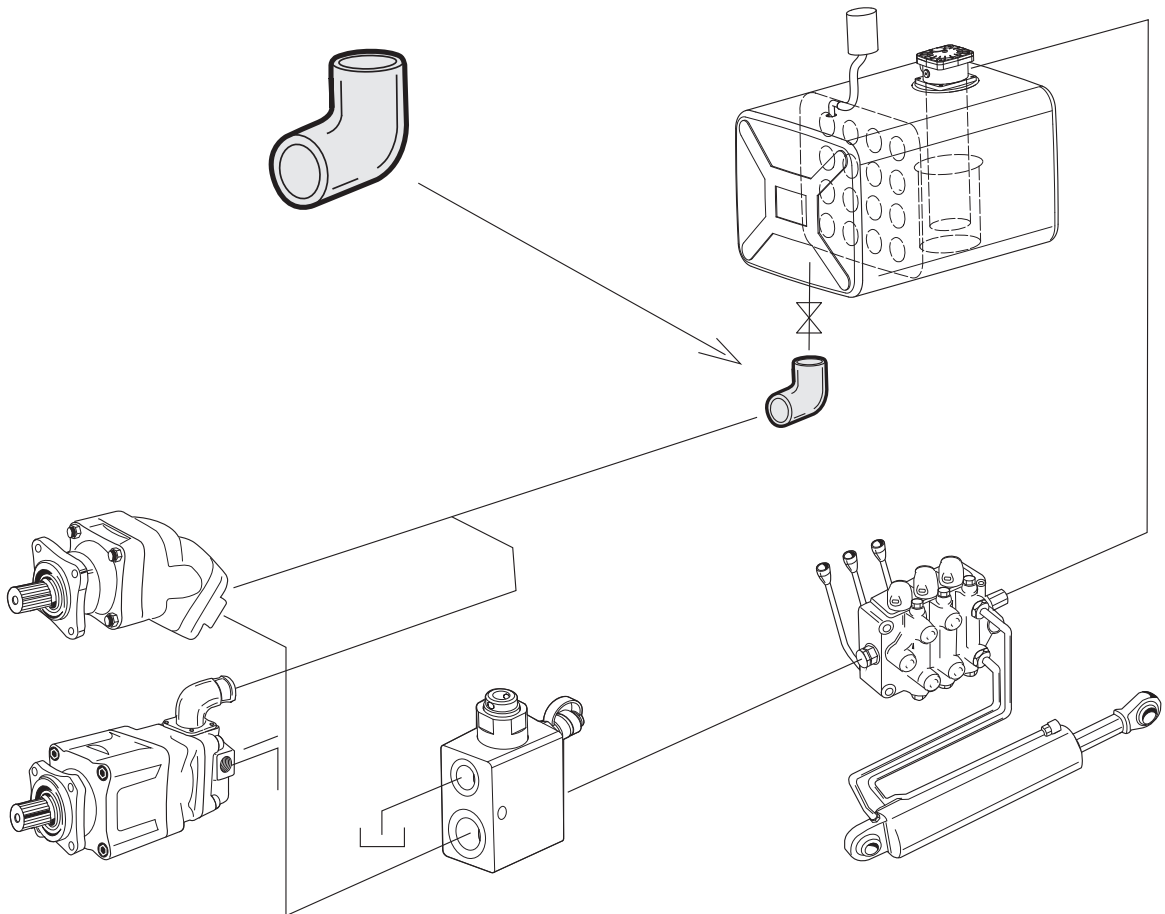


	max. l/min	A		B			
			Taper Kegel Kona		Taper Kegel Kona		
SAP 012-064	90	G $\frac{3}{4}$ "	-	G $\frac{3}{4}$ "	int. 60°		50296
SCP 012-064	160	G $\frac{3}{4}$ "	int. 60°	G1"	int. 60°		50297
SAPT 090							
SCPD 56/26, 76/76	90	G $\frac{3}{4}$ "	-	JIC 1 $\frac{1}{16}$ "	ext. 74°		50298
SLPD							
SVH 062	90	G $\frac{3}{4}$ "	-	G $\frac{3}{4}$ "		91712	
SAP 084-108 SCP 084-108 SAPT 130 SVH 092-130	160	G1"	-	G1"	int. 60°		50299
	160	G1"	-	JIC 1 $\frac{1}{16}$ "	ext. 74°		50300
	160	G1"	-	JIC 1 $\frac{5}{16}$ "	ext. 74°		50301
	90	G1"	-	G $\frac{3}{4}$ "	int. 60°		50302
	160	G1"	-	G1"		91713	

Ver. 1 2014



Connection rubber 90°  
 Anschlüsse Gummi 90°  
 Anslutning gummi 90°

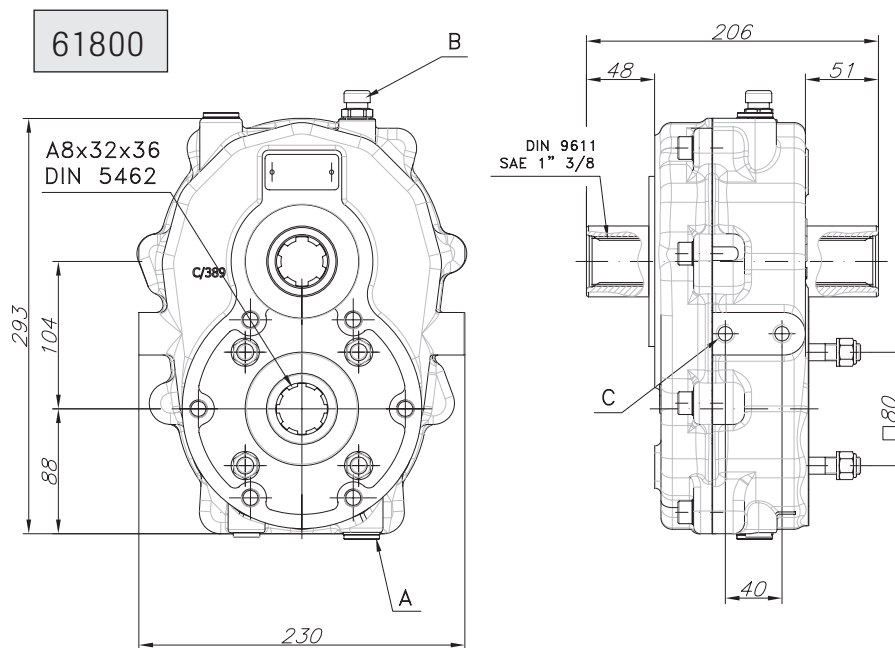


All pumps Alle Pumpen Alla pumpar	Ø 38 mm	65 l/min	17732	Equipment Ausrüstung Utrustning
	Ø 50 mm	120 l/min	17767	
	Ø 64 mm	160 l/min	18775	
	Ø 75 mm	260 l/min	18778	

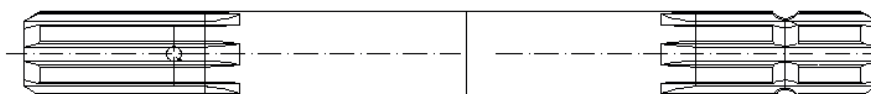


TRACPOWER Gearbox  
 TRACPOWER Zapfwellengetriebe  
 TRACPOWER Tappväxel

DIN 5462



17814



	Ratio Übersetzung Utväxling			Max. torque Nm / pump Max. Drehmoment Nm / Pumpe Max moment Nm / pump	
All Alle DIN 5462 (ZF) Alla	1:2.5	17814	61800	420	1 3/8" SAE J1170

For detailed information,  
 see separate Datasheet on  
 our [website](#).

Ausführliche Beschreibung:  
 Siehe Datenblatt auf  
 unserer [Website](#).

För detaljerad information se separat  
 datablad på vår [hemsida](#).

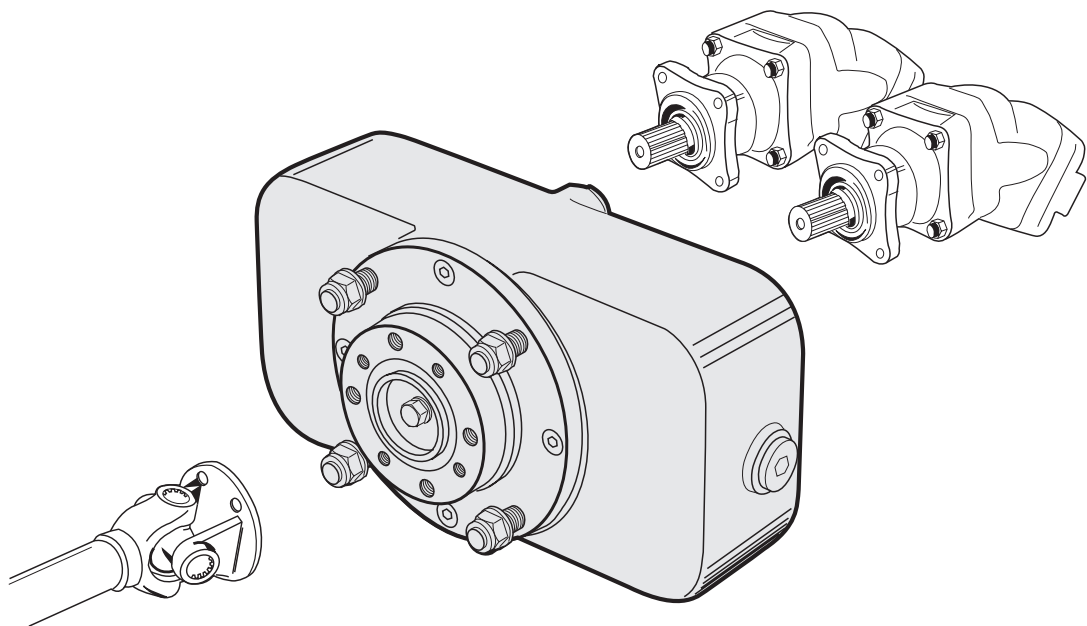
Ver. 1 2014








Splitter gearbox  
Verteilergetriebe  
Fördelningsväxel

SZ 118  
SZ 154





	Ratio Übersetzung Utväxling	Type		
Spicer 1300 (B2)	1:1.18	SZ 118	61080	 All
 Pump 12	1:1.54	SZ 154	61079	 Alle DIN 5462 (ZF) Alla

For detailed information,  
see separate Datasheet on  
our [website](#).

Ausführliche Beschreibung:  
Siehe Datenblatt auf  
unserer [Website](#)

För detaljerad information se separat  
datablad på vår [hemsida](#).

An adapter flange will be needed for the  
Spicer 1400 and the DIN 6-bolt drive  
shaft.  Pump 12

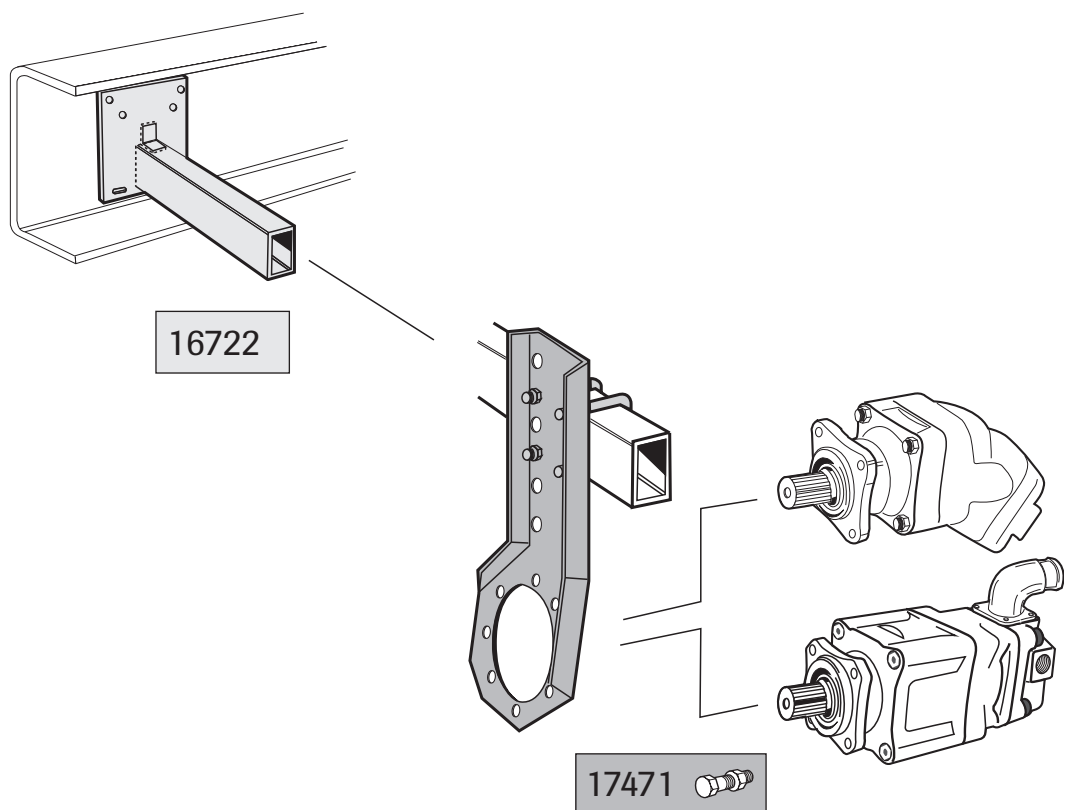
Bei Zwischenwelle Spicer 1400 und  
DIN-Ausführung mit 6 Bohrungen  
ist ein Adapterflansch erforderlich.  
 Pump 12

För mellanaxel Spicer 1400 och DIN  
6-håls krävs adapterfläns.  Pump 12



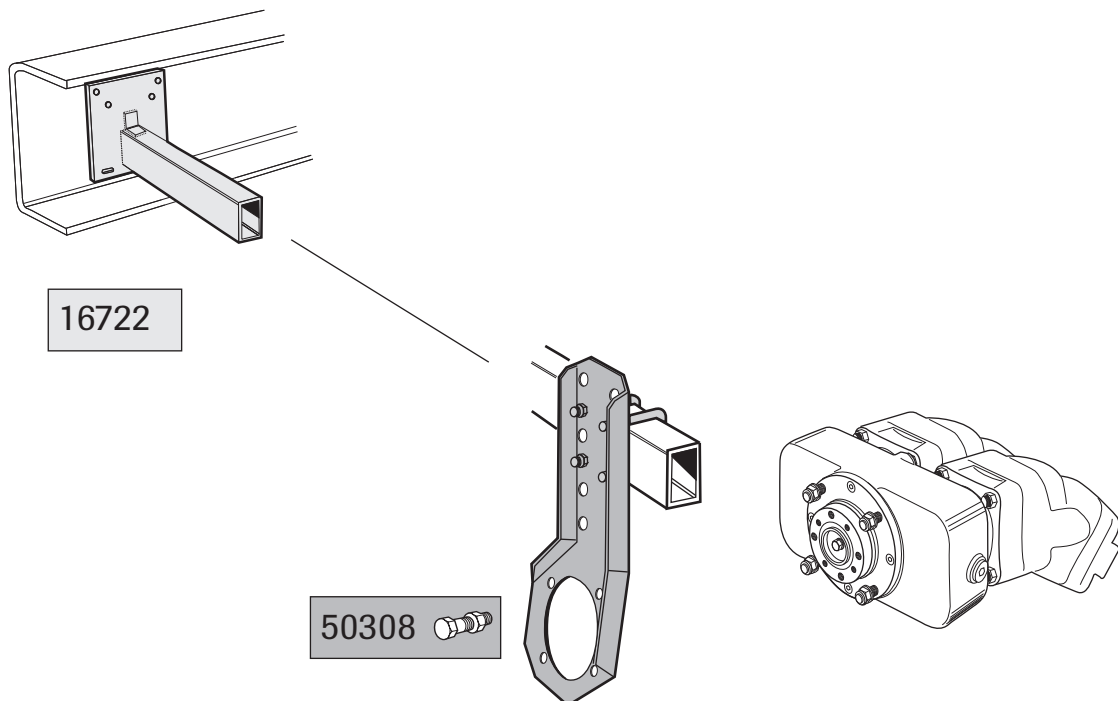
Frame attachments & pump suspensions  
Rahmenbefestigungen & Pumpenhalterungen  
Ramfästen & pumpupphängningar

DIN 5462 (ZF)



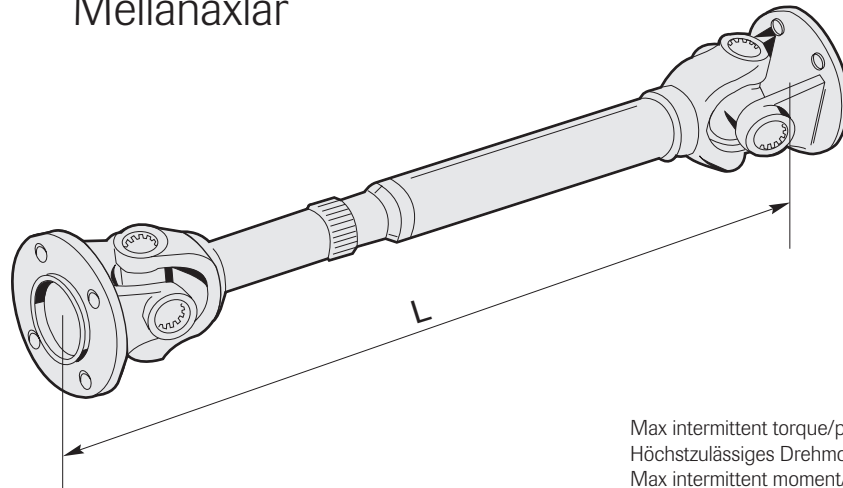


Frame attachments & Gearbox suspensions  
Rahmenbefestigungen & Getriebehalterungen  
Ramfästen & växelupphängningar  
SZ 118/154



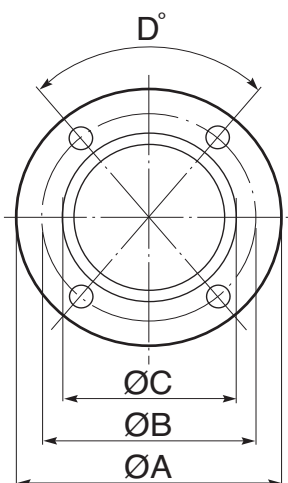


Drive Shafts  
Zwischenwellen  
Mellanaxlar



Max intermittent torque/power  
Höchstzulässiges Drehmoment/Leistung  
Max intermittent moment/effekt

		700 rpm		1500 rpm		
		Nm	kW	Nm	kW	
Spicer 1100 (B1)	<b>16665</b>	250	18	210	32	
Spicer 1300 (B2)	<b>92143</b>	500	36	400	60	
Spicer 1400 (B3)	<b>16667</b>	900	65	700	105	
DIN 4-bolt DIN 4-håls	DIN 4-Loch Pump16	<b>16665+11915</b>	250	18	210	32



	A	B	C	D	L*
	mm	mm	mm		mm
<b>16665</b>	88	69.9	57.2	80°	1500
<b>92143</b>	97	79.4	60.3	80°	1500
<b>16667</b>	115	95.3	69.9	80°	1500

\* Max. length. Customer adjusts length to suit its particular installation. The welded universal joint is delivered in the same parcel as the drive shaft.

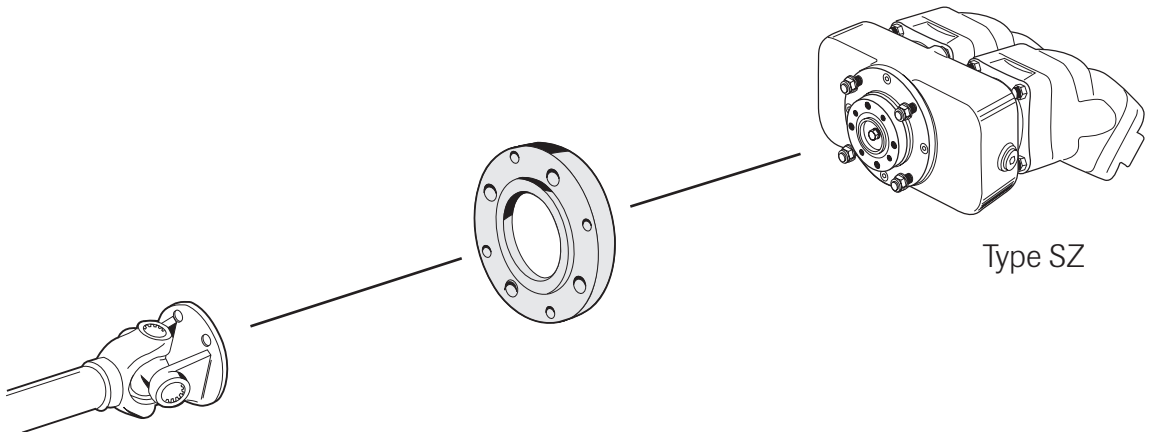
\* Größte Länge, die bedarfsweise zu kürzen ist. Schweißteil wird lose mitgeliefert.

\* Max längd. Aktuell montage längd anpassas av kund. Svetsknuten levereras lös.




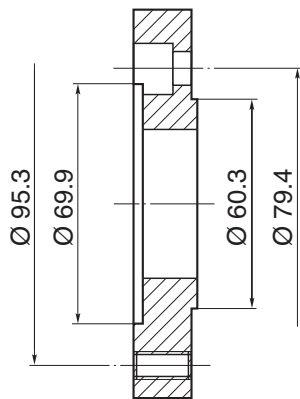
Adapter flange for splitter gearbox  
 Adapterflansche für Verteilergetriebe  
 Adapterfläns för fördelningsväxel

SZ

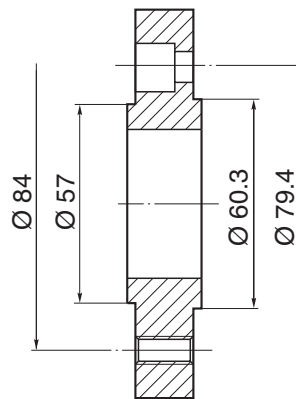


Type SZ

Spicer 1400 (B3)	17876 	SZ 118, 154 (B2)  Pump 9
DIN 6-bolt    Ø 100 DIN 6-Loch    DIN 6-håls	17638 	



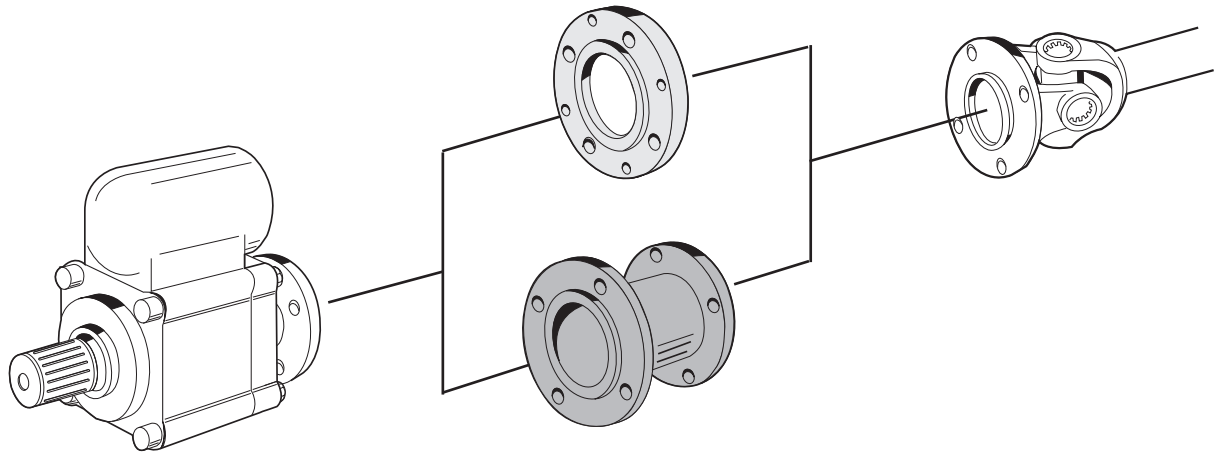
17876

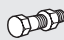



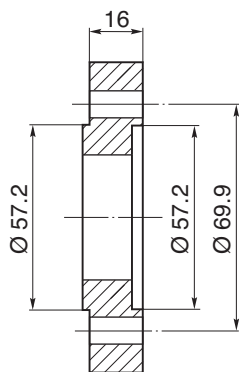
17638



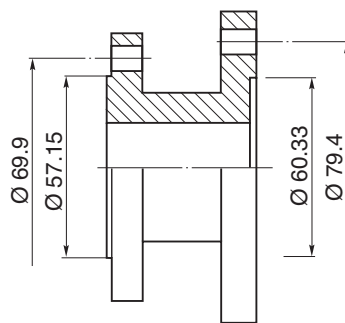
Adapter flanges  
 Adapterflansche  
 Adapterflänsar



Spicer 1100 (B1)	14119* 	Spicer 1100 (B1)	Pump 12
	14064 	Spicer 1300 (B2)	



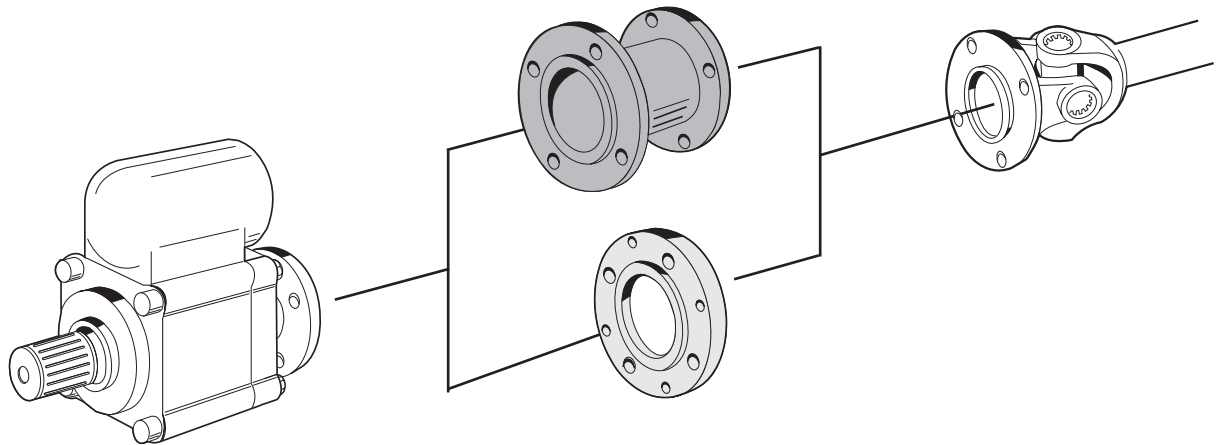
14119




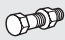



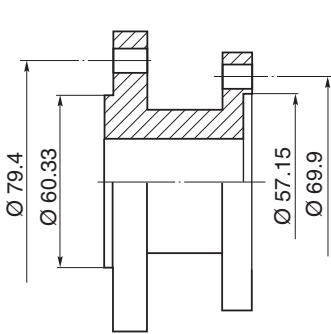
14064

\*spacer, Abstand, distans

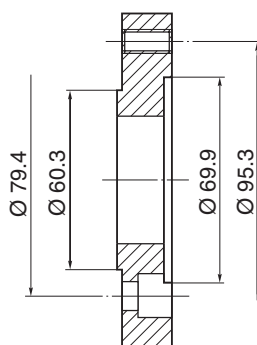
Adapter flanges  
 Adapterflansche  
 Adapterflänsar



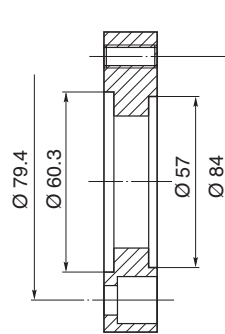
Spicer 1300 (B2)	17355 	Spicer 1100 (B1)	 Pump 12
	17876 	Spicer 1400 (B3)	
	18236 	DIN 100, 6-bolt DIN 100, 6-Loch    DIN 100, 6-håls	
	13631 	DIN 120, 8-bolt DIN 120, 8-Loch    DIN 120, 8-håls	



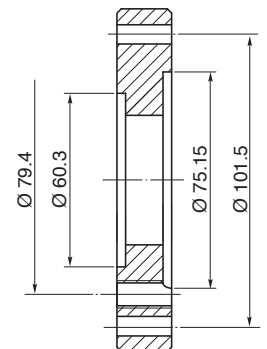
17355



17876



18236

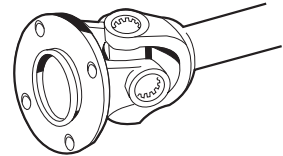
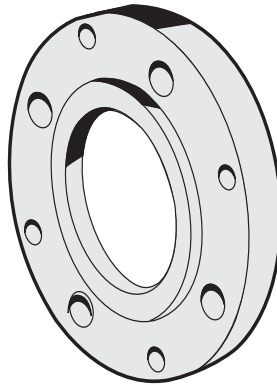
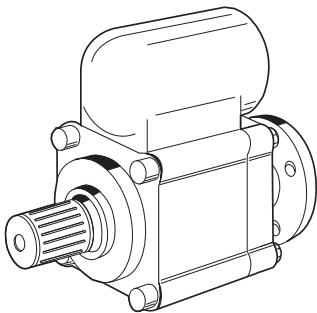






13631

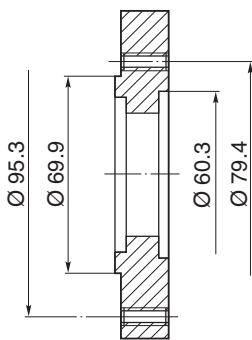
Ver. 1 2014



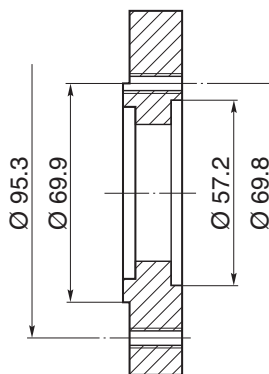
Adapter flanges  
 Adapterflansche  
 Adapterflänsar



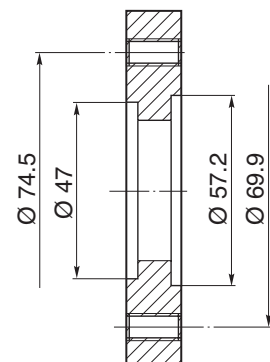
Spicer 1400 (B3)	13740 	Spicer 1300 (B2)	Pump 12 
	11656 	Spicer 1100 (B1)	
DIN 4-bolt    Ø90 DIN 4/6-Loch    DIN 4/6-håls	11915 		



13740



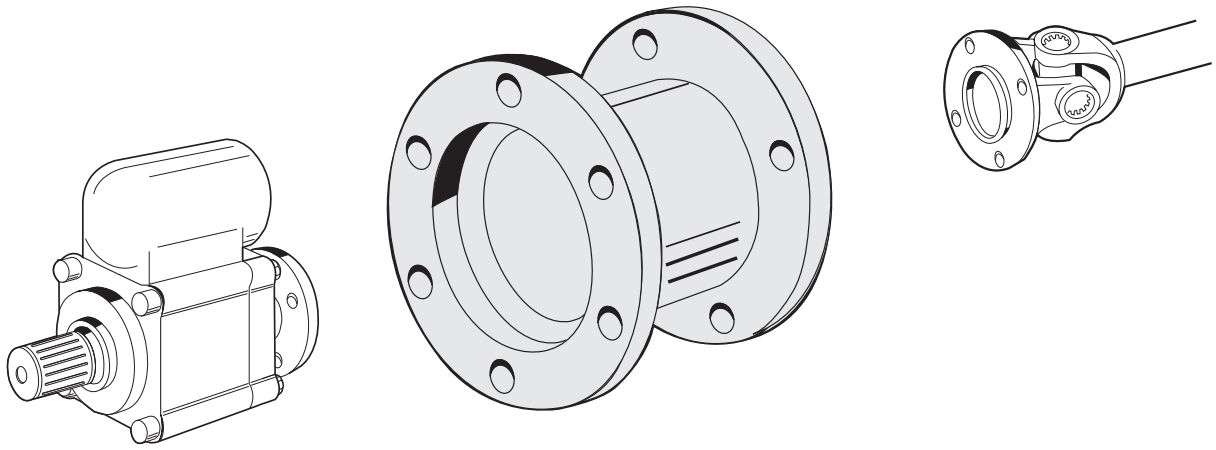
11656




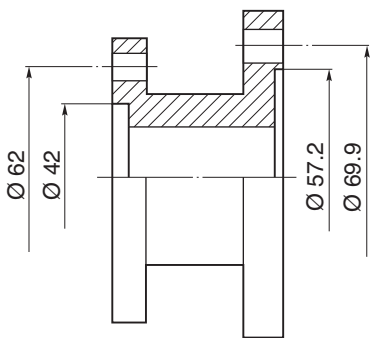
11915



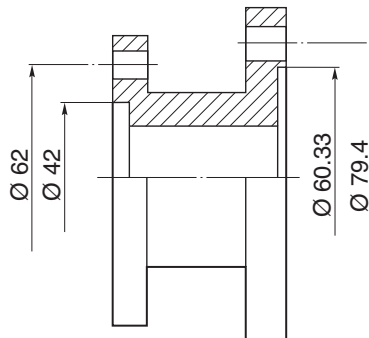
Adapter flanges  
 Adapterflansche  
 Adapterflänsar



6 bolt DIN 6 Loch    Ø 75 6 håls	14063	Spicer 1100 (B1)	 Pump 12
	14062	Spicer 1300 (B2)	



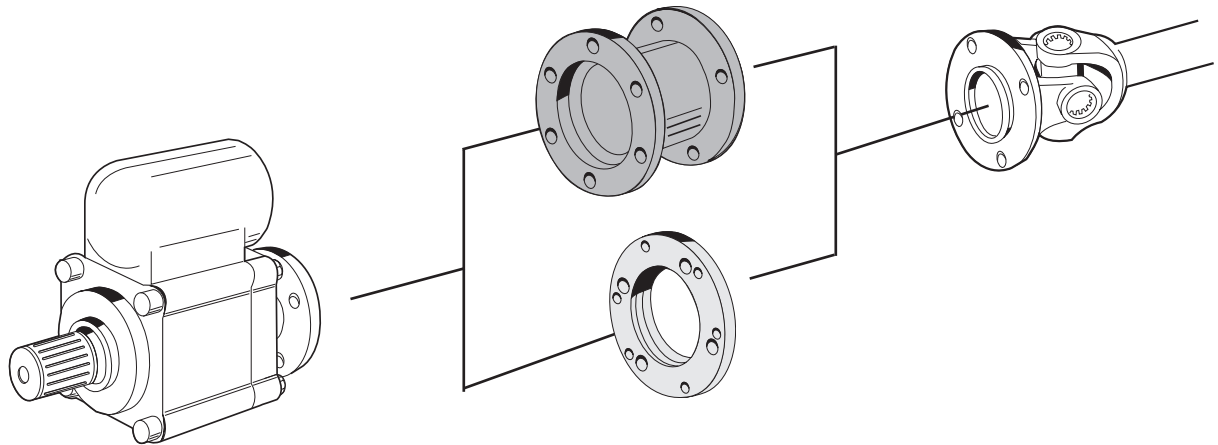
14063







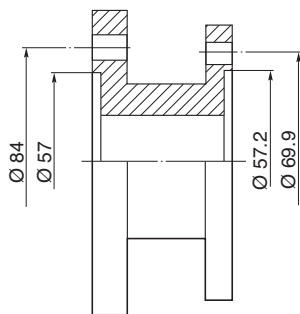
14062



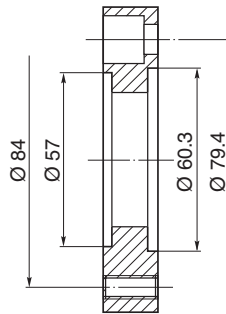
Adapter flanges  
 Adapterflansche  
 Adapterflänsar



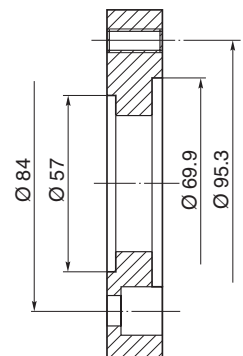
6 bolt DIN 6 Loch    Ø 100 6 håls	18287 	Spicer 1100 (B1)	Pump 12 
	18236 	Spicer 1300 (B2)	
	18020 	Spicer 1400 (B3)	



18287



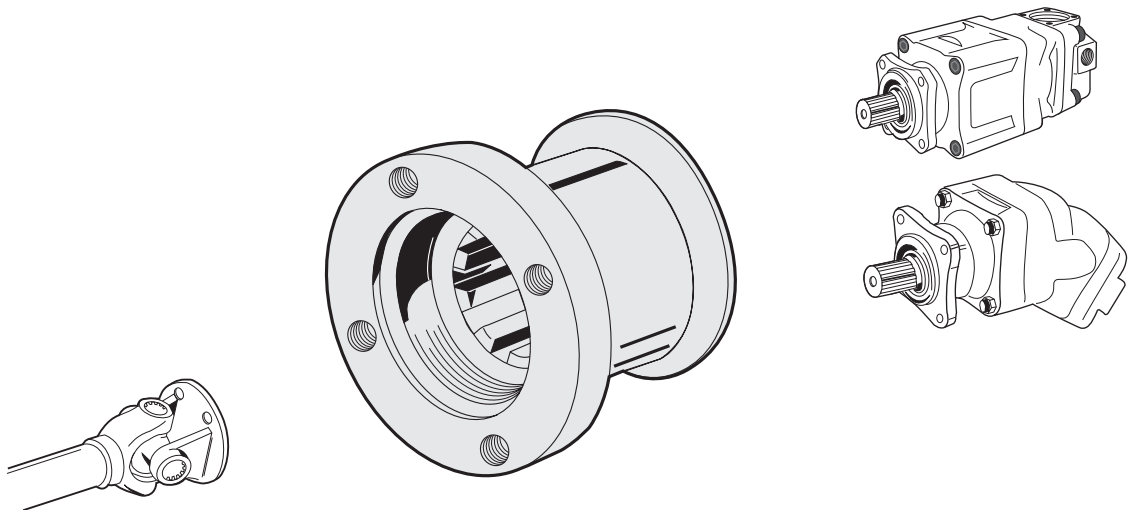
18236




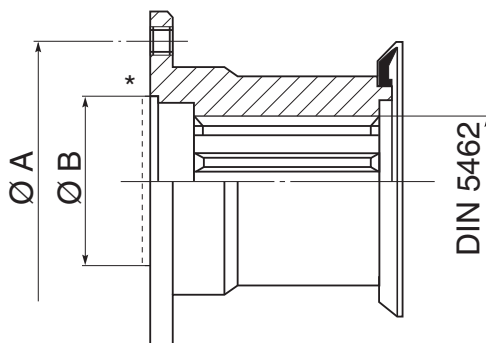
18020



## Splined drive flanges Keilwellen-Mitnehmerflansche Medbringare med splines



Pump 12	Spicer 1100 (B1)	16643		All pumps Alle Pumpen Alla pumpar
	Spicer 1300 (B2)	17335		
	Spicer 1400 (B3)	18150		
DIN 4-bolt DIN 4-Loch    DIN 4-håls	17010			



	A mm	B mm
16643	69.9	57.2
17335	79.4	60.3
18150	95.3	69.9
17010	74.5	47.0*

- \* External guide
- \* Äußere Führung
- \* Utvändig styrning

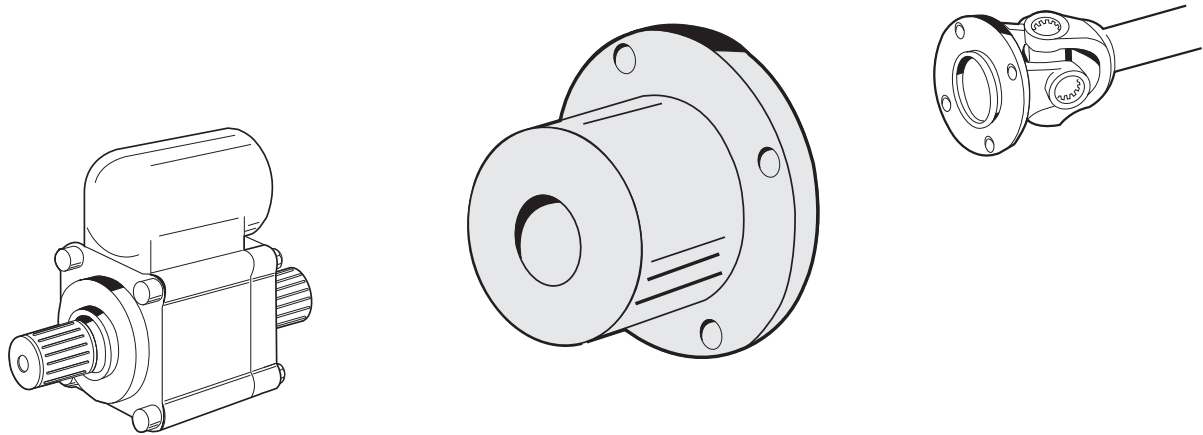
Note: The drive flanges are supplied complete with bolts, washers and dust excluder.

Bemerkung: Schrauben, Scheiben und Staubschutz sind im Lieferumfang enthalten.

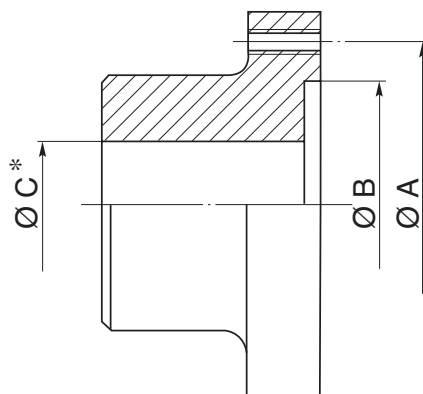
Anm: Medbringarna levereras komplett med skruvar, brickor och dammskydd.



Neutral Drive Flanges  
 Neutrale Mitnehmerflansche  
 Neutrala medbringarflänsar



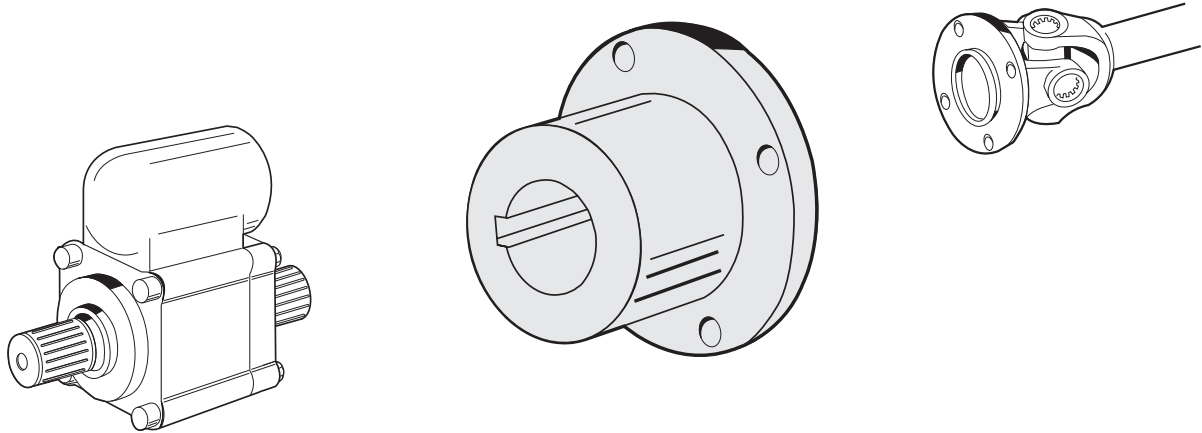
Shaft Welle Axel	10325	Spicer 1100 (B1)		Pump 12
	15362	Spicer 1300 (B2)		
	16670	Spicer 1400 (B3)		
	17764	DIN 4-bolt	DIN 4-håls	
	17765	DIN 6-bolt	Ø100 DIN 6-håls	






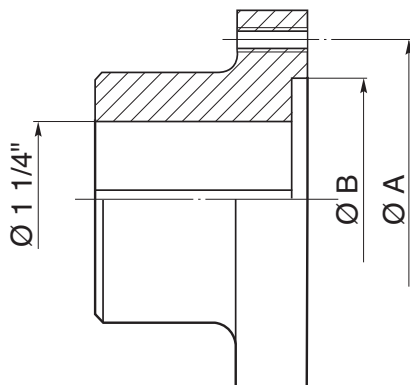
	A mm	B mm	C mm
10325	69.9	57.2	18*
15362	79.4	60.3	20*
16670	95.3	69.9	20*
17764	74.5	47.0	18*
17765	84.0	57.0	20*

\* To be finished  
 \* Auf Fertigmaß bearbeiten  
 \* Skall slutbearbetas

Drive flanges  
 Mitnehmerflansche  
 Medbringarflänsar  
 1 1/4"



SAE standard SAE-Norm	16541 	Spicer 1100 (B1)	 Pump 12
	16639 	Spicer 1300 (B2)	

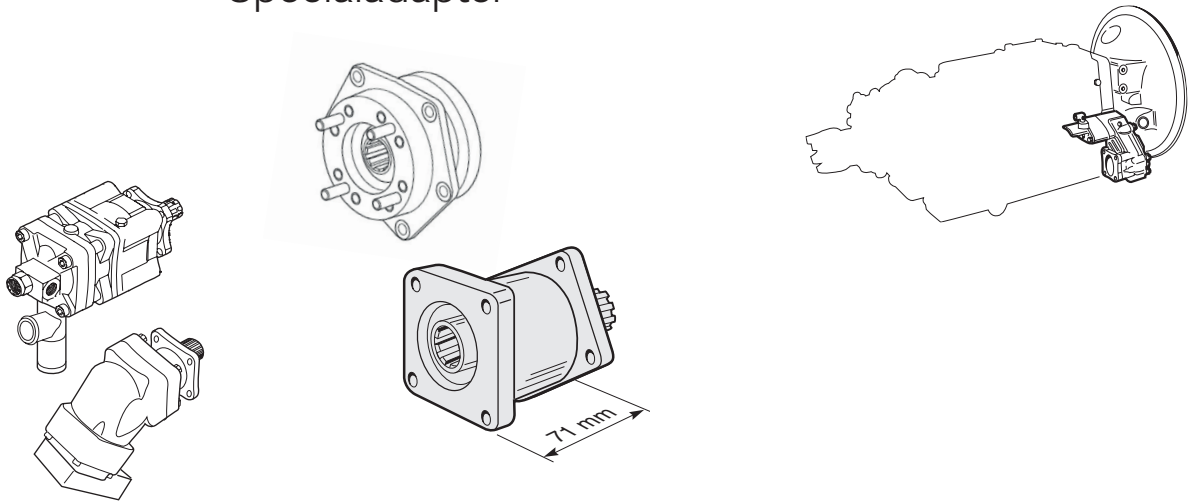


	A mm	B mm
16541	69.9	57.2
16639	79.4	60.3



Special Adapter  
 Spezialadapter  
 Specialadapter

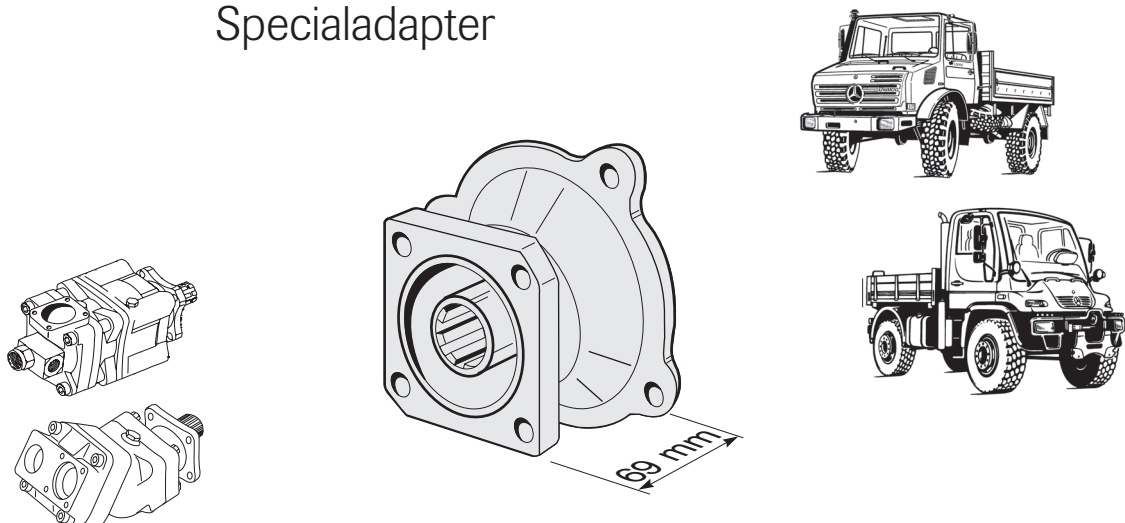
SCANIA



SAP-SCP-SAPT+By Pass SLPD Savtec	92196	PTO ED 120
	61024	PTO ED 140
	92197	PTO ED 160

Special Adapter  
 Spezialadapter  
 Specialadapter

UNIMOOG

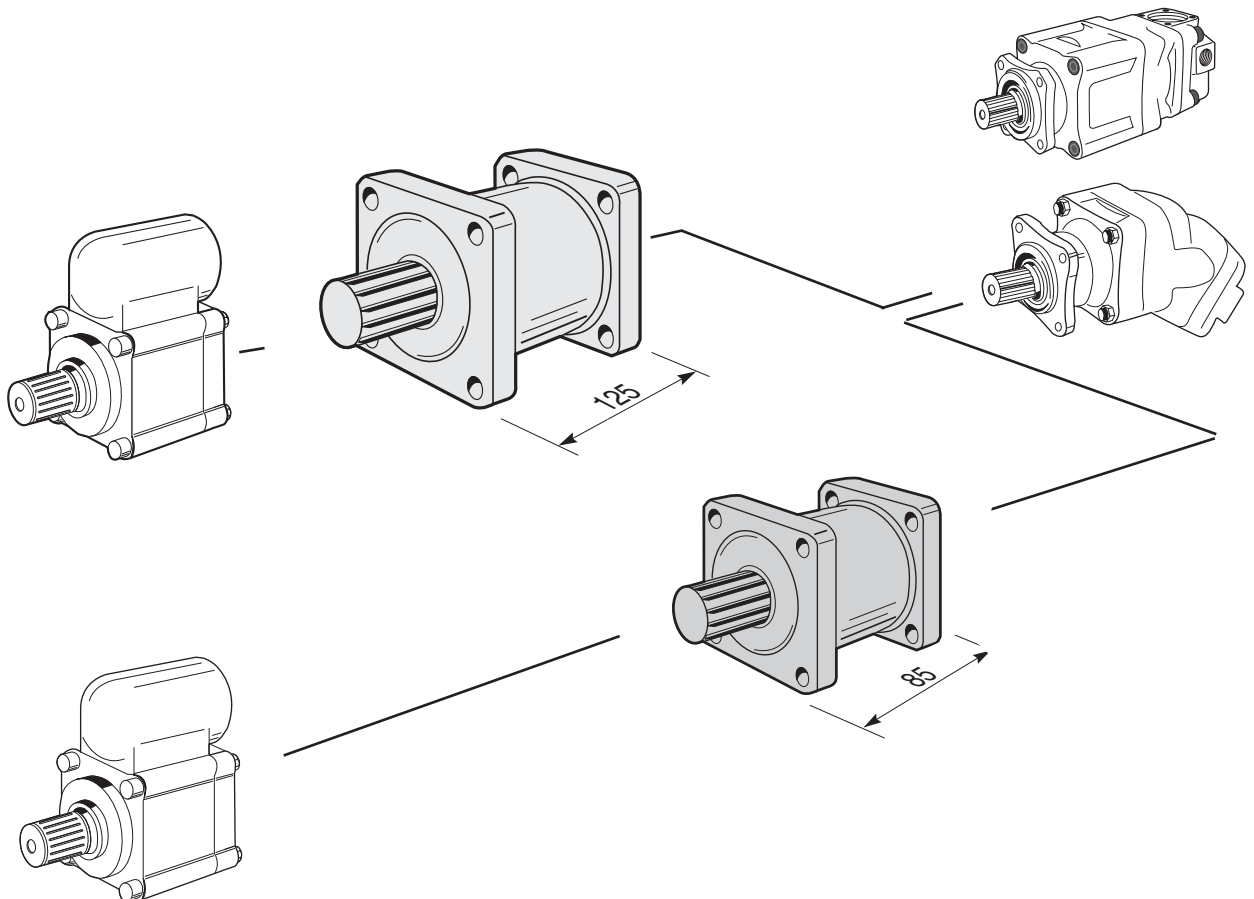


All Alle DIN 5462 (ZF) Alla	61012	PTO N16
-----------------------------------	-------	---------



Distance Adapter Kit  
Abstandadapter-Bausatz  
Distansadaptersats

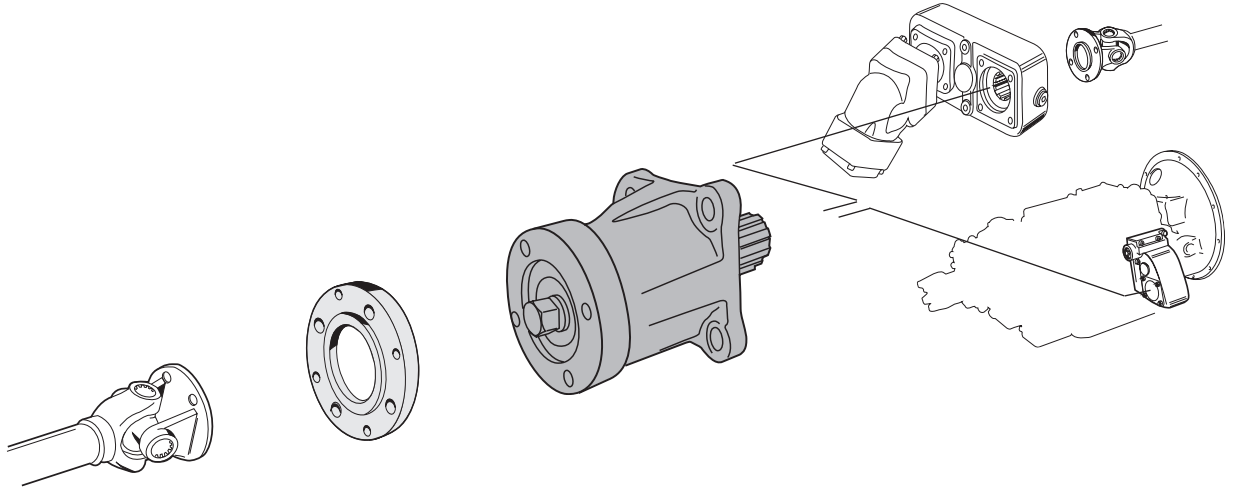
DIN 5462



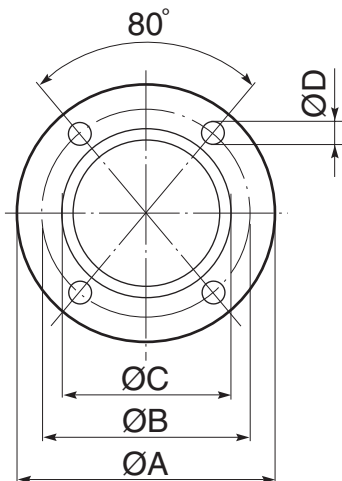
ZF PTO type ... / 1c, 2c, 3c	61029	—	All Alle DIN 5462 (ZF)
ZF PTO type ... / 1a, 2a, 3a	—	61118	Alla



Drive-flange & adapter for DIN power take off  
 Antriebsflansch & Adapter für DIN-Nebenantriebe  
 Drivfläns & adapter för DIN kraftuttag



Pump 12	Spicer 1100 (B1)	—	61040	DIN 5462 (ZF)
	Spicer 1300 (B2)	—	61015	
	Spicer 1400 (B3)	—	61017	
	DIN 4-bolt DIN 4-Loch	DIN 4-håls	11915	61040
	DIN 6-bolt DIN 6-Loch	Ø 100 DIN 6-håls	18236	61015



	A	B	C	D
	mm	mm	mm	mm
Spicer 1100 (B1)	88	69.9	57.2	8.5
Spicer 1300 (B2)	97	79.4	60.3	10.5
Spicer 1400 (B3)	115	95.3	69.9	10.5

Torque / Leistung / Moment \*

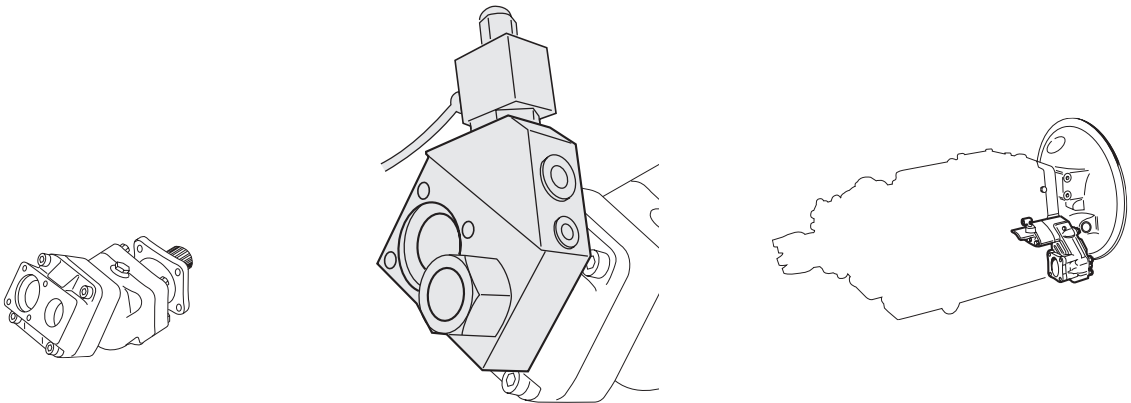
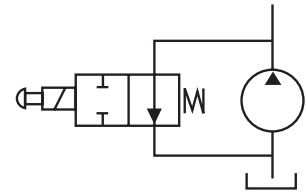
Spicer 1100 (B1)	250 Nm
Spicer 1300 (B2)	500 Nm
Spicer 1400 (B3)	900 Nm

\* Driveshaft / Swischenwelle / Mellanaxel





BY-PASS valve  
BY-PASS ventil



SAP, SCP 012-064 SAPT 090	12 V	20300	Engine-mounted power take off Am Motor montierter Nebenabtrieb Motormonterat kraftuttag
	24 V	20302	
SAP, SCP 084-108 SAPT 130	12 V	20301	
	24 V	20303	

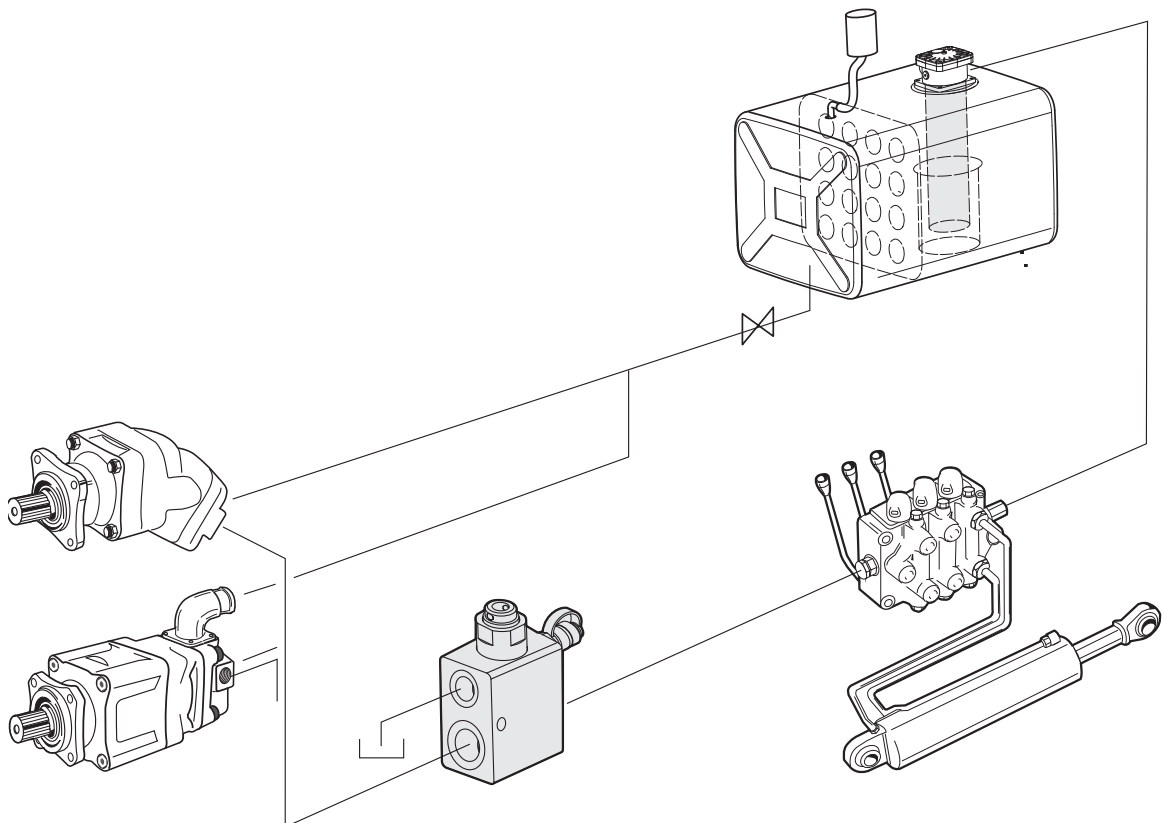
For detailed information,  
see separate Datasheet on  
our [website](#).

Ausführliche Beschreibung:  
Siehe Datenblatt auf  
unserer [Website](#).

För detaljerad information se separat  
datablad på vår [hemsida](#).



Pressure relief valve  
 Druckbegrenzungsventil  
 Tryckbegränsningsventil



All pumps Alle Pumpen Alla pumpar	90086	G3/4"	32 Mpa	Equipment Ausrüstung Utrustning
	90087	G1"	32 Mpa	
	90076	G3/4"	42 Mpa	
	90029	G1"	42 Mpa	

For detailed information,  
 see separate Datasheet on  
 our [website](#).

Ausführliche Beschreibung:  
 Siehe Datenblatt auf  
 unserer [Website](#).

För detaljerad information se separat  
 datablad på vår [hemsida](#).

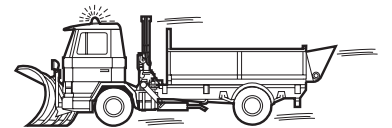
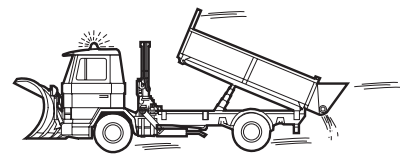
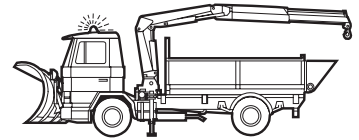
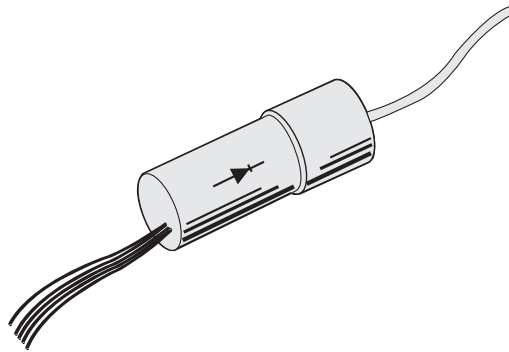
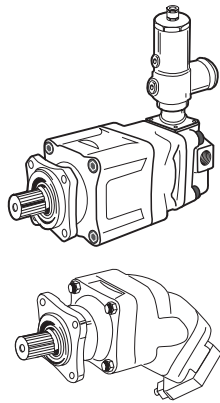
Ver. 1 2014



# Diode Gate

## Dioden-Torschaltung

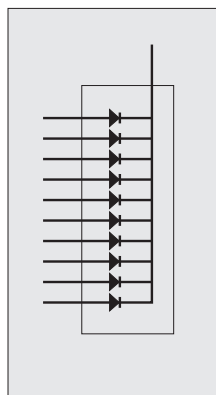
### Diodgrind



SLPD 20/20-64/32 Savtec  
SAP, SCP, SAPT+By Pass

91362

Multi-operation system  
Mehrfunktionssystem  
Flerfunktionssystem



*For detailed information,  
see separate Datasheet on  
our [website](#).*

*Ausführliche Beschreibung:  
Siehe Datenblatt auf  
unserer [Website](#).*

*För detaljerad information se separat  
datablad på vår [hemsida](#).*



Head office  
Sunfab Hydraulics AB  
Box 1094  
Street address: Varvsgatan 2 - 4  
SE-824 12 Hudiksvall, Sweden

E-mail: [sunfab@sunfab.se](mailto:sunfab@sunfab.se)  
Tel: +46 650 367 00  
Fax: +46 650 367 27

[www.sunfab.com](http://www.sunfab.com)



Please contact Sunfab for detailed information and maintenance instructions.  
Sunfab reserves the right to make changes in design and dimensions without notice. Printing and typesetting errors reserved.

Copyright © by Sunfab Hydraulics AB. All rights reserved.