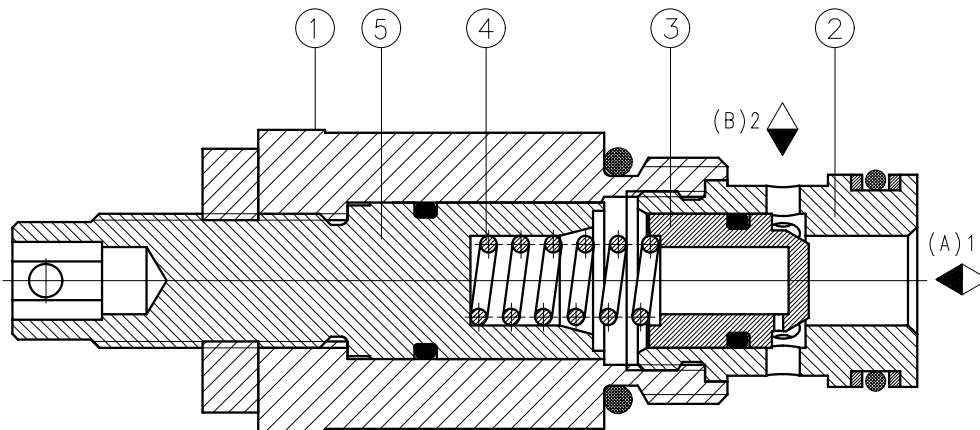
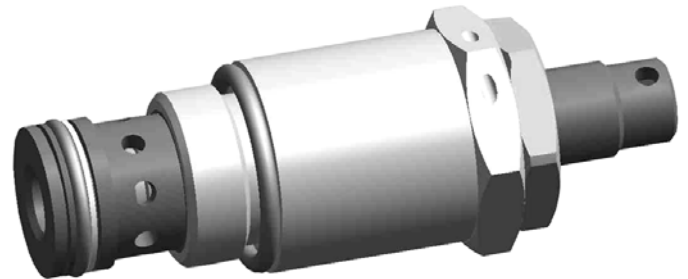


APPLICATION

These cartridge check valves allow flow at low pressure drop with cracking pressure up to 10 bar in the free flow direction and close to prevent flow in the reverse direction. Cracking pressure is adjustable. These valves fit into simply machined cavities and are therefore ideal for installation into manifold blocks and other hydraulic equipment.



DESCRIPTION OF OPERATION

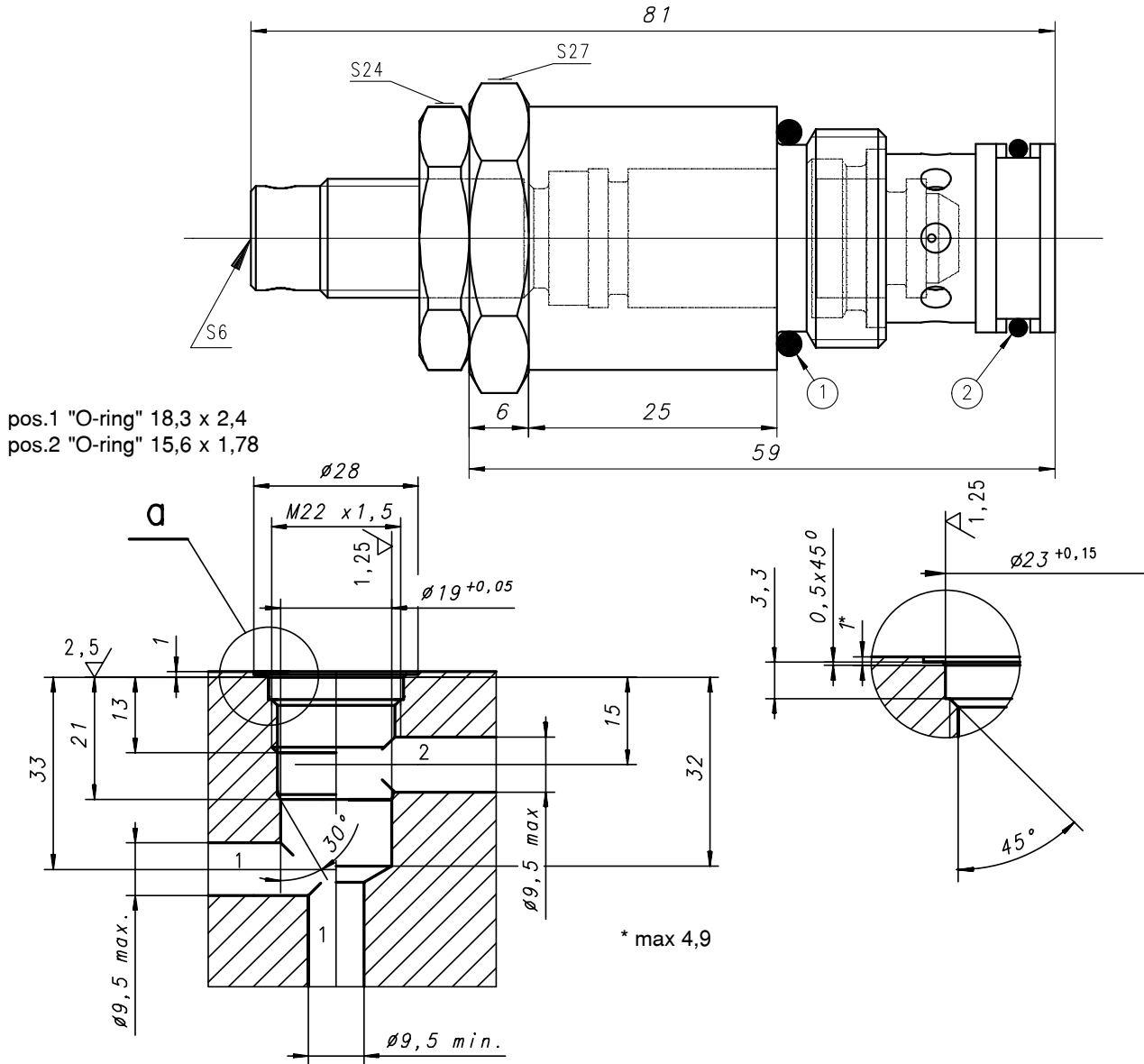
In version A fluid flowing from A to B through the valve overcomes the resistance of the spring (4) and causes the poppet (3) to lift. This allows free flow. The cracking pressure is adjustable by screw (5).

In the opposite direction the spring (4) and the fluid push the poppet (3) onto the seat in the sleeve (2) and close the connection. For version B direction of free flow is opposite (from B to A).

TECHNICAL DATE

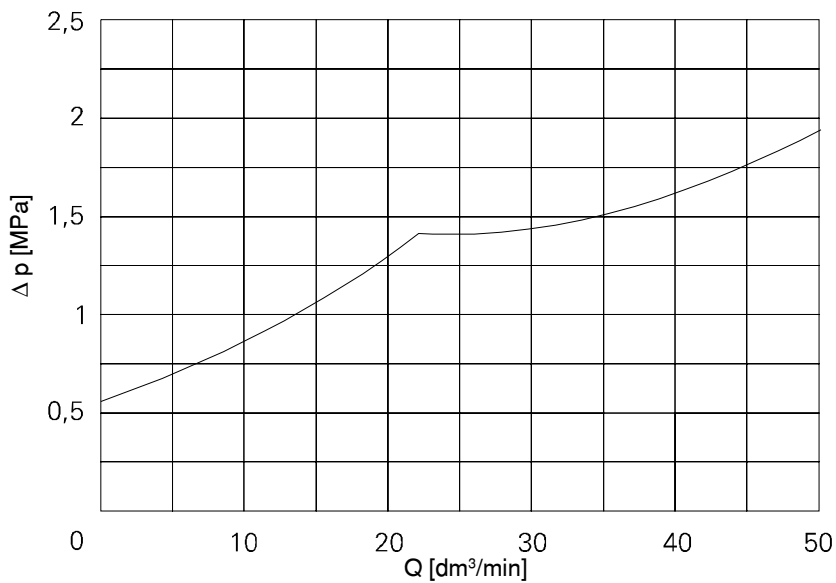
Working fluid	Mineral oil
Nominal fluid viscosity	37 mm ² / s at temperature 328 K
Viscosity range	2,8 up to 380 mm ² / s
Optimum working temperature range	313 up to 328 K
Fluid temperature range	243 up to 343 K
Required fluid filtration	16 μm
Recommended fluid filtration	10 μm
Max working pressure	29 MPa
Cracking pressure	up to 1 MPa (adjustable)
Weight	0,5 kg

OVERALL AND CONNECTION DIMENSIONS

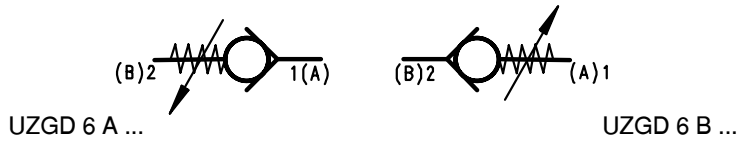


Dimensions of cavity
Tightening torque cartridge - 80Nm
Mounting position-unrestricted

PERFORMANCE CURVES at $v = 41 \text{ mm}^2/\text{s}$ and temp. 323 K



SYMBOL



HOW TO ORDER

Orders coded in the way showed below should be forwarded to the manufacturer



Direction of flow
 Flow from 1 to 2 = A
 Flow from 2 to 1 = B

Series number
 12 = 12

Cracking pressure setting
 up to 0,5 MPa = 5
 up to 1,0 MPa = 10

Kind of cavity
 Cavity M22x1,5 = M1

Sealing
 for fluids on mineral oil base = no designation
 for fluid on phosphate ester base = V

Further requirements to be added in text (to agree with the manufacturer)

CODING EXAMPLE :
UZGD 6 A 12/5-M1

PONAR WADOWICE S.A.
ul. Wojska Polskiego 29
34-100 Wadowice
tel. 033/ 823 39 43, 823 30 41
fax 033/ 873 48 80
e-mail: ponar@ponar-wadowice.pl

