



Technical data

These pressure diecast aluminium alloy doors offer superior mechanical strength and are manufactured to DIN 24339 standard. They provide easy access to the inside of the oil tank for inspection and cleaning purposes.

On request and for small quantities, to be agreed with MP Filtr Technical and Sales Department, inspection doors can be supplied with:

- Customer logo.
- Hole cut for visual level indicator.
- Hole cut for visual and electrical level indicator.
- Oil sample plug

Compatibility with fluids

- Mineral oils types HH-LL-HM-HR-HV-HC, to ISO 6743/4 standard
- Water based emulsions types HFAE-HFAS, to ISO 6743/4 standard
- Water glycol type HFC, to ISO 6743/4 standard
- Ask for anodized version

Materials

Cleaning covers: pressure diecast aluminium alloy/cast iron
Seal: NBR 70 Shore A

Temperature

- From -30 °C to +80 °C

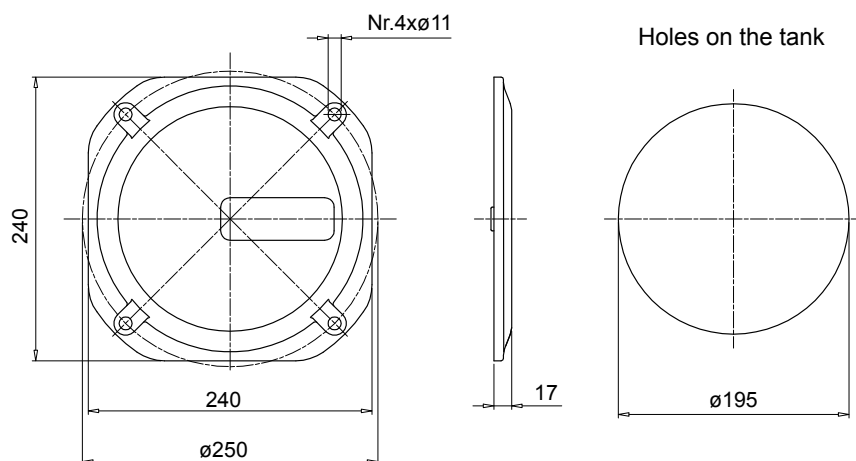
Special Applications

Any applications not covered by the normal indications contained in this catalogue must be evaluated and approved by the MP Filtri Technical and Sales Department.

Dimensions

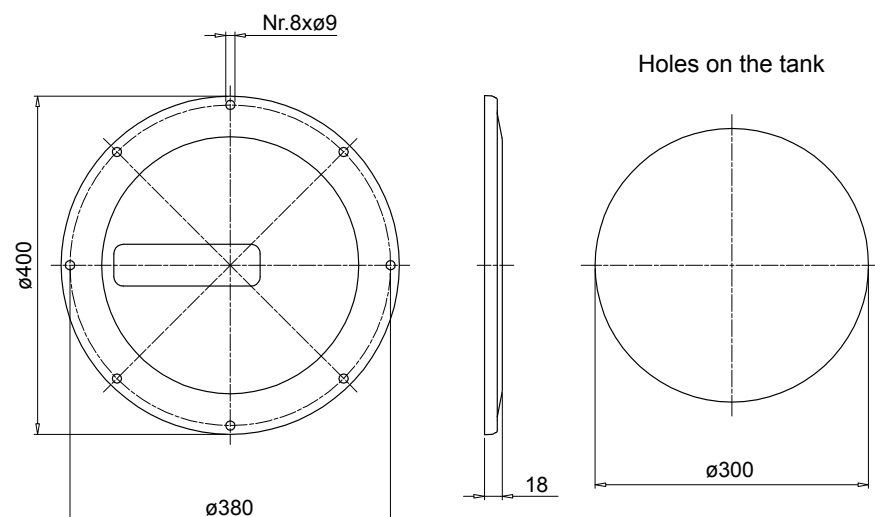
Cleaning cover according to DIN 24339

OB275



Code	Description	Weights [kg]
OB275P01	Door with MP Logo	1.76
OB275P02	Blank cover	1.76
GU0275NBR	Seal	1.76
FPM GU2750V TN	Seal	1.76

OB400

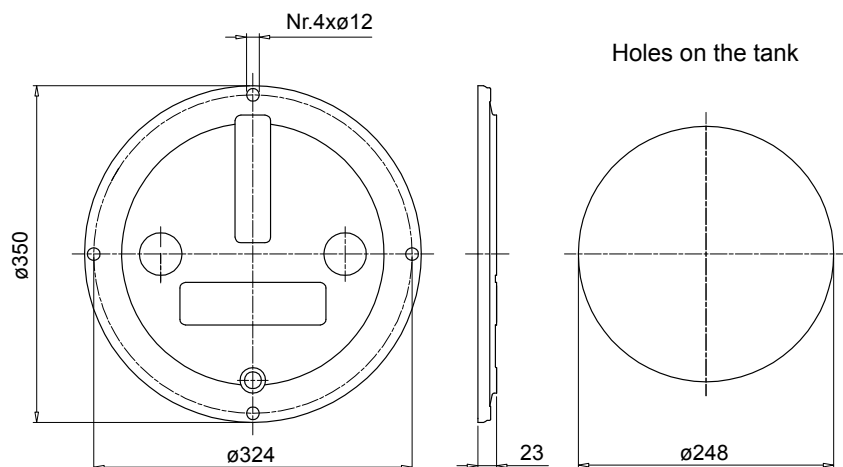


Code	Description	Weights [kg]
OB400P01	Door with MP Logo	2.90
OB400P02	Blank cover	2.90
GU0400DINNBR	Seal	2.90
FPM GU0400DINV TN	Seal	2.90



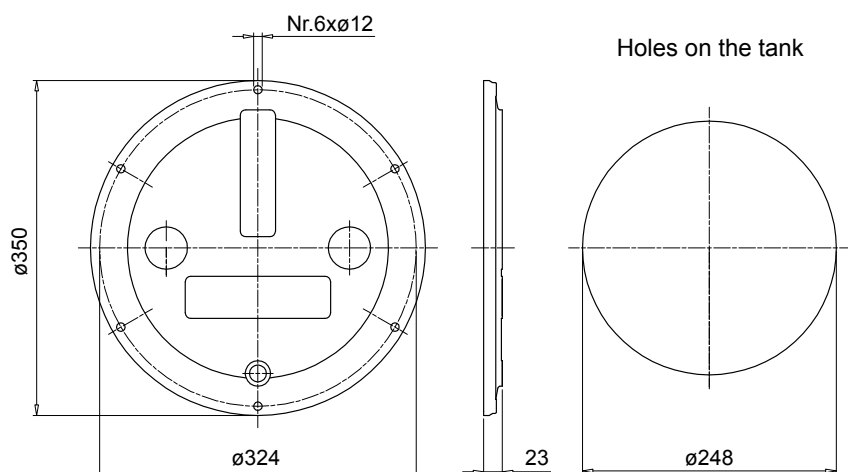
Dimensions

OB350



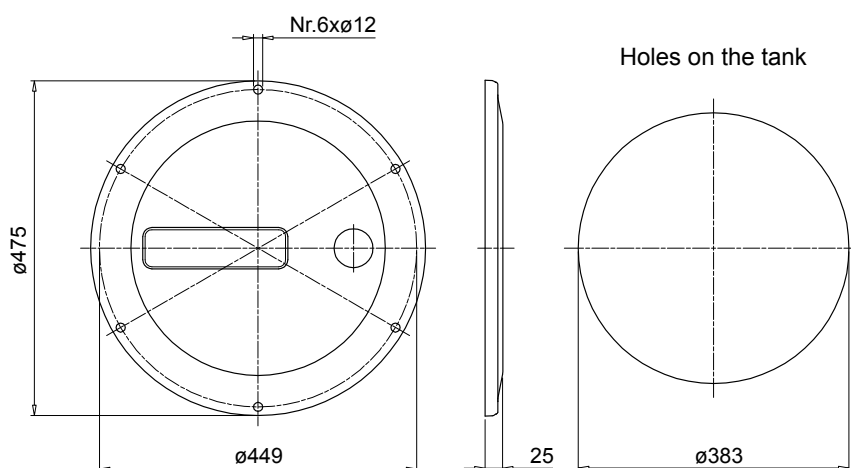
Code	Description	Weights [kg]
OB350DIN000	Door	1.80
GU0350DINNBR	Seal	1.80
FPM GU0350DINV TN	Seal	1.80

OB356



Code	Description	Weights [kg]
OB356DIN000	Door	1.80
GU0350DINNBR	Seal	1.80
FPM GU0350DINV TN	Seal	1.80

OB475



Code	Description	Weights [kg]
OB475P01	Door with MP Logo	3.40
OB475P02	Blank cover	3.40
GU0475DINNBR	Seal	3.40
FPM GU0475DINV TN	Seal	3.40



CLEANING COVERS OPTIONS

ACCESSORIES

Visual level indicators LVA series

Technical data

Materials

Trasparent amorphous polyamide lens
Nylon guard
Seal: Series A-NBR - Series V-FPM

Operating pressure

Max 1 bar at +80°C

Operating temperature

- From -25 °C to +80 °C

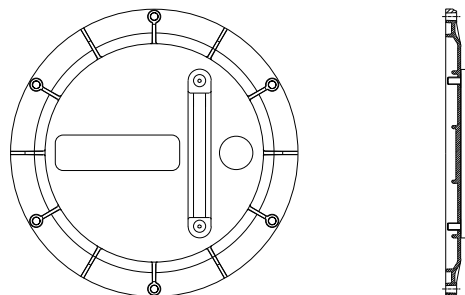
Tightening torque

10 N·m max.

Mineral oils
Synthetic oils
Water base emulsions
Phosphoric esters



Installation



Dimensions

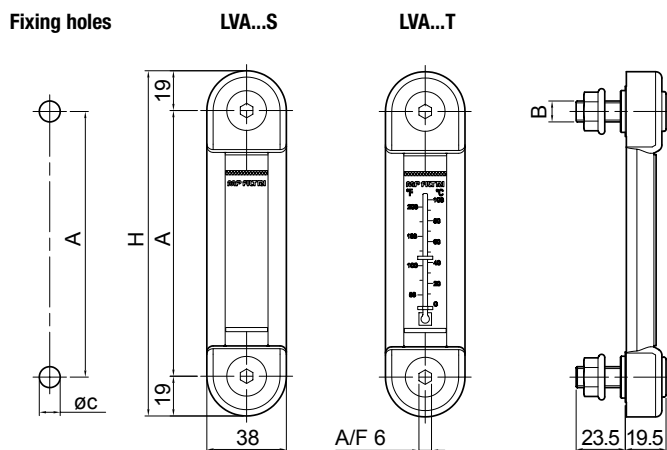


TABLE 58

Size	A [mm]	H [mm]
LVA 10	76	114
LVA 20	127	165
LVA 30	254	292

Type	B [mm]	C [mm]
LVA...M10	M10	10.5
LVA...M12	M12	12.5
LVA...U38	3/8" UNC	10.0
LVA...U12	1/2" UNC	13.5

Packaging

Type	Nr. pieces per pack
LVA	10

Preparing for to fit the level on request

Code door	Code level
OB275**	LVA 10**
OB350**	LVA 10**
OB356**	LVA 20**
OB400**	LVA 10**
OB475**	LVA 20**
	LVA 30**



ACCESSORIES

CLEANING COVERS OPTIONS

Electrical float level indicators LEG series

Technical data

LEG series electrical level indicators are supplied with a 3-hole fixing flange and a reed switch having NC-NO contacts.

Designed typically for installation on the vertical walls of oil tanks, these instruments can also be mounted to inspection doors of the OB475 series as indicators of minimum and maximum oil levels in the tank.

Warning

To operate correctly, the float must be positioned vertically and at a minimum distance of 35 mm from walls made of ferrous metal.

To change the contact from NC to NO, simply turn the float upside down.

The electrical properties indicated are referred to resistive loads; for capacitive and inductive loads and incandescent lamps, use protection circuits.

DIN 43650 CONNECTOR

Materials

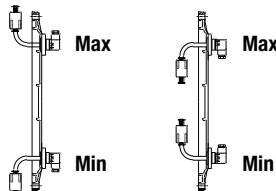
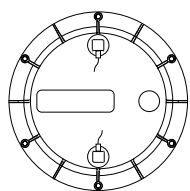
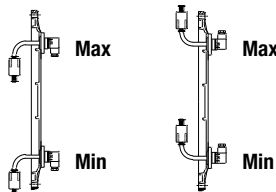
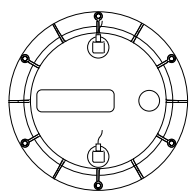
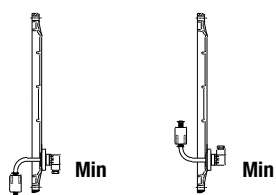
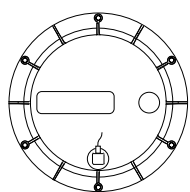
- Flange: aluminum
- Rod: brass
- Float: nylon foam
- Seals: A= NBR - V= FPM

Temperature

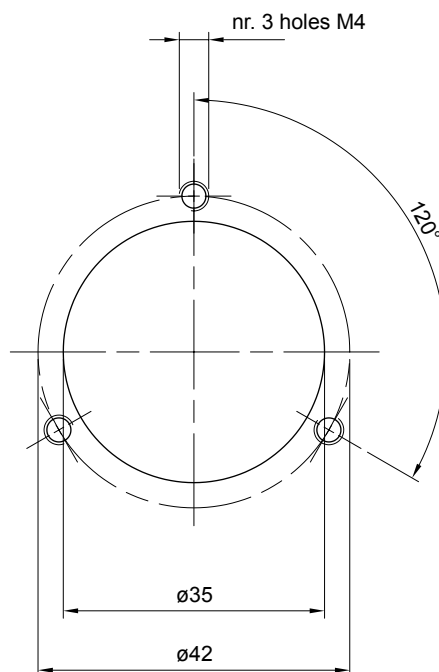
- From -15 °C to +80 °C

For temperatures outside this range, contact the MP Filtri Technical and Sales Department.

Installation



Layout of fixing holes for LEG level indicator

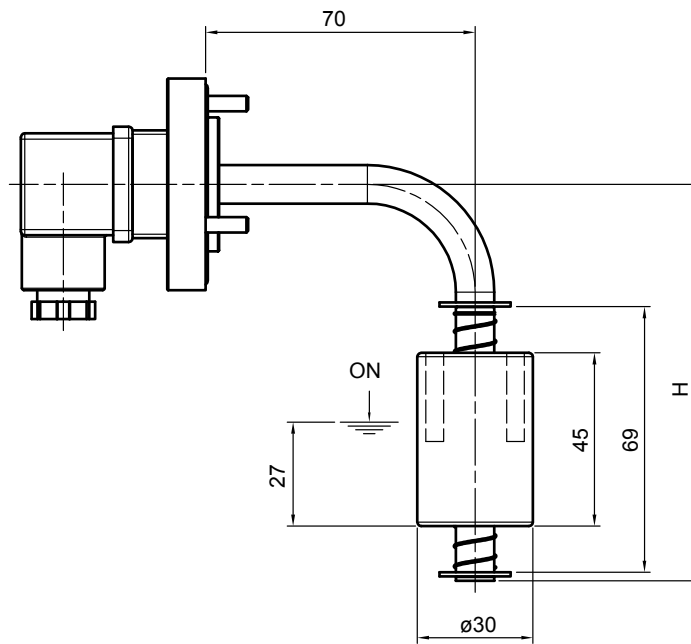


Note: Arrange the holes according to the position of the level indicator

Prepared for visual indicator - on request



Dimensions



Size	H [mm]
LEG 102	103
LEG 200	200
LEG 300	300
LEG 350	350

LEG 1 Float



To invert the contact status from NO to NC and vice versa, simply invert the float.

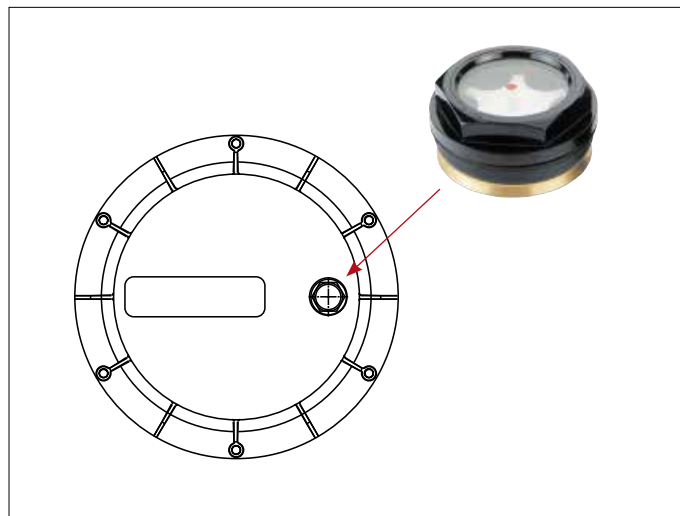


ACCESSORIES

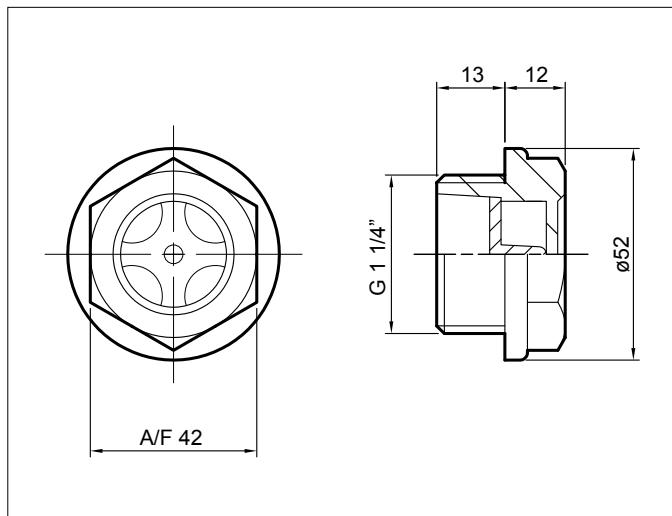
CLEANING COVERS OPTIONS

Visual level indicators code LCP42N...S

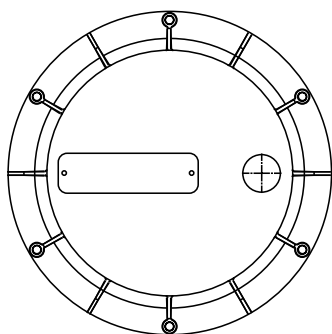
Installation



Dimensions



Available customization



Nameplate with customer logo
Ordering information: **OB475LOGOP05**

The nameplates applied to the new inspection door are identical to those applied to the old door. The difference with the new door is that nameplates are fixed with rivets.

For ordering information codes, minimum order quantities, fixing hole positions and other details not indicated in this publication, contact the MP Filtri Technical and Sales Department.