

unidirectional pump - series XV

XV-1P

"BH" TYPE PUMP
 ø32 BODY-SHAPED FLANGE - MILLED SHANK

X 1 P 25 42 D B B A

Series	X	series XV
Group	1	group 1
Category	P	unidirectional pump
Displacement	25	3.8
Flange	42	Ø32 BH right rotation
Shaft	D	CF002 - Milled shank ø10 - thk.5
Body	IN	inlet - 3/8" GAS
	OUT	outlet - 3/8" GAS
Cover	A	standard



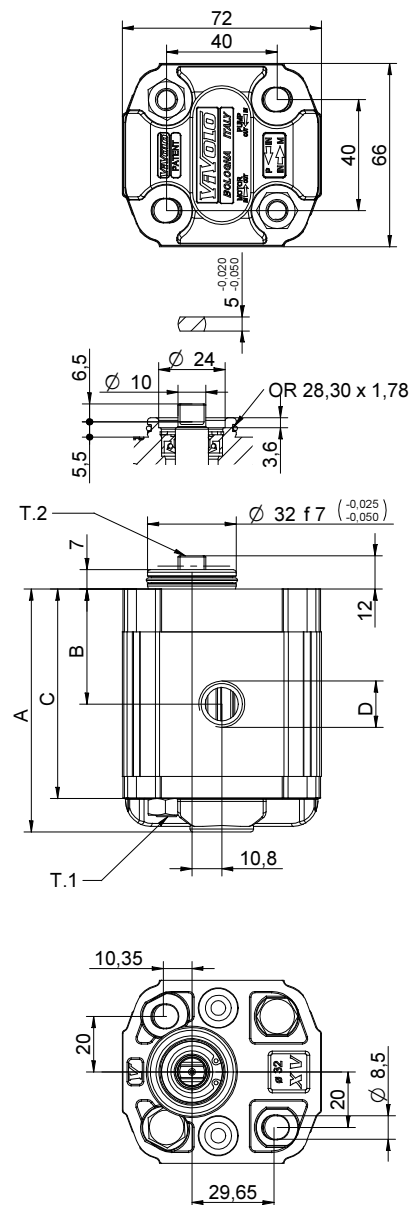
XP119

Technical data table						
TYPE	Displacement cm3/rev	Max. Pressure		CODE		
		P1 bar	P3 bar	Left rotation		Right rotation
XV-1P/0.9	0,91	240	280	X 1 P 16 41 D B B A	X 1 P 16 42 D B B A	X 1 P 16 42 D B B A
XV-1P/1.2	1,17	250	290	X 1 P 17 41 D B B A	X 1 P 17 42 D B B A	X 1 P 17 42 D B B A
XV-1P/1.7	1,56	250	290	X 1 P 18 41 D B B A	X 1 P 18 42 D B B A	X 1 P 18 42 D B B A
XV-1P/2.2	2,08	250	290	X 1 P 20 41 D B B A	X 1 P 20 42 D B B A	X 1 P 20 42 D B B A
XV-1P/2.6	2,60	250	300	X 1 P 21 41 D B B A	X 1 P 21 42 D B B A	X 1 P 21 42 D B B A
XV-1P/3.2	3,12	250	300	X 1 P 23 41 D B B A	X 1 P 23 42 D B B A	X 1 P 23 42 D B B A
XV-1P/3.8	3,64	250	300	X 1 P 25 41 D B B A	X 1 P 25 42 D B B A	X 1 P 25 42 D B B A
XV-1P/4.3	4,16	250	300	X 1 P 27 41 D B B A	X 1 P 27 42 D B B A	X 1 P 27 42 D B B A
XV-1P/4.9	4,94	250	300	X 1 P 29 41 D B B A	X 1 P 29 42 D B B A	X 1 P 29 42 D B B A
XV-1P/5.9	5,85	250	300	X 1 P 31 41 D B B A	X 1 P 31 42 D B B A	X 1 P 31 42 D B B A
XV-1P/6.5	6,50	250	300	X 1 P 32 41 D B B A	X 1 P 32 42 D B B A	X 1 P 32 42 D B B A
XV-1P/7.8	7,54	220	260	X 1 P 34 41 D B B A	X 1 P 34 42 D B B A	X 1 P 34 42 D B B A
XV-1P/9.8	9,88	190	230	X 1 P 36 41 D B B A	X 1 P 36 42 D B B A	X 1 P 36 42 D B B A

P1) Max. working pressure - P3) Max. peak pressure

For heavy-duty applications, it is recommended to check the admissible torque of the shaft

Dimensions table						
TYPE	Weight kg	A	B	C	D	D
		mm	mm	mm	IN	OUT
XV-1P/0.9	0,950	77,1	36,3	65,1	3/8" BSPP	3/8" BSPP
XV-1P/1.2	0,970	78,0	36,8	66,0	3/8" BSPP	3/8" BSPP
XV-1P/1.7	1,010	79,5	37,5	67,5	3/8" BSPP	3/8" BSPP
XV-1P/2.2	1,030	81,5	38,5	69,5	3/8" BSPP	3/8" BSPP
XV-1P/2.6	1,060	83,5	39,5	71,5	3/8" BSPP	3/8" BSPP
XV-1P/3.2	1,090	85,5	40,5	73,5	3/8" BSPP	3/8" BSPP
XV-1P/3.8	1,120	87,5	41,5	75,5	3/8" BSPP	3/8" BSPP
XV-1P/4.3	1,170	89,5	42,5	77,5	3/8" BSPP	3/8" BSPP
XV-1P/4.9	1,200	92,5	44,0	80,5	3/8" BSPP	3/8" BSPP
XV-1P/5.9	1,260	96,0	45,8	84,0	3/8" BSPP	3/8" BSPP
XV-1P/6.5	1,300	97,5	47,0	85,5	3/8" BSPP	3/8" BSPP
XV-1P/7.8	1,360	102,5	49,0	90,5	3/8" BSPP	3/8" BSPP
XV-1P/9.8	1,500	111,5	53,5	99,5	3/8" BSPP	3/8" BSPP



26/08/04 XP254,2DBBA.dft

T.1 = 24.5÷29.4 [Nm] - screw tightening torque M8

T.2 = 13.8 [Nm] - admissible shaft torque (N.B. When choosing a shaft, always check the admissible torque).

Table of variations

XV-1P

ø32 "BH" Body-Shaped FLANGE

ø32 "BH" Body-Shaped FLANGE				Shaft				Cover			
Left rotation		Right rotation						Left rotation		Right rotation	
	41		42	CF002 - Milled shank T.2 = 13.8 [Nm]	D	CO001 - Tapered T.2 = 43 [Nm]	F				A
	43		44	SCF02 - Splined T.2 = 42.8 [Nm] m=0,75 Z=15	L	SCF04 - Splined T.2 = 22.6 [Nm] m=1,6 Z=6 DIN 5482 - 12x9	J				B
	45		46	SCF01 - Splined T.2 = 42.8 [Nm] m=0,75 Z=15	Q	SCF03 - Splined T.2 = 42.8 [Nm] m=0,75 Z=15	R				C
	47		48								D

Displacement	
TYPE	CODE
XV-1P/0.9	16
XV-1P/1.2	17
XV-1P/1.7	18
XV-1P/2.2	20
XV-1P/2.6	21
XV-1P/3.2	23
XV-1P/3.8	25
XV-1P/4.3	27
XV-1P/4.9	29
XV-1P/5.9	31
XV-1P/6.5	32
XV-1P/7.8	34
XV-1P/9.8	36

Standard bodies							
Displacement cm3/rev	Standard threads						
	0.9	I - I	B - B	J - J	B - Z	Z - Z	G - F
1.2	I - I	B - B	J - J	B - Z	Z - Z	G - F	
1.7	I - I	B - B	J - J	B - Z	Z - Z	G - F	
2.2	I - I	B - B	J - J	B - Z	Z - Z	G - F	
2.6	I - I	B - B	J - J	B - Z	Z - Z	G - F	
3.2	I - I	B - B	J - J	B - Z	Z - Z	G - F	
3.8	I - I	B - B	J - J	B - Z	Z - Z	G - F	
4.3	I - I	B - B	J - J	B - Z	Z - Z	G - F	
4.9	I - I	B - B	J - J	B - Z	Z - Z	G - F	
5.9	I - I	B - B	J - J	B - Z	Z - Z	G - F	
6.5	I - I	B - B	J - J	B - Z	Z - Z	G - F	
7.8	I - I	B - B	J - J	B - Z	Z - Z	G - F	
9.8	I - I	B - B	J - J	B - Z	Z - Z	G - F	

Table showing standard flange and thread combinations available in stock

				N
Internal drainage				
				O
External drainage				

Body (threads/flanges)													
	A		B		C		D		E		F		G
	H		I		J	Closed Body	Z						