

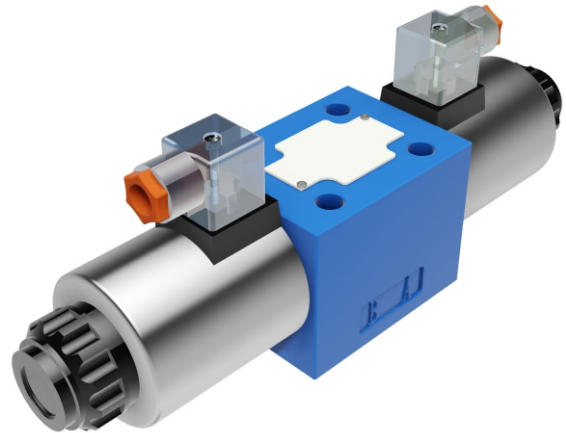


**DISTRIBUTORI
OLEODINAMICI**

WE10

**SOLENOID OPERATED
DIRECTIONAL CONTROL VALVES**

WE10 SERIES DIRECTIONAL CONTROL VALVES ARE SOLENOID OPERATED DIRECTIONAL SPOOL VALVES. THESE VALVES ARE USED TO THE START, STOP AND DIRECTION OF FLOW.

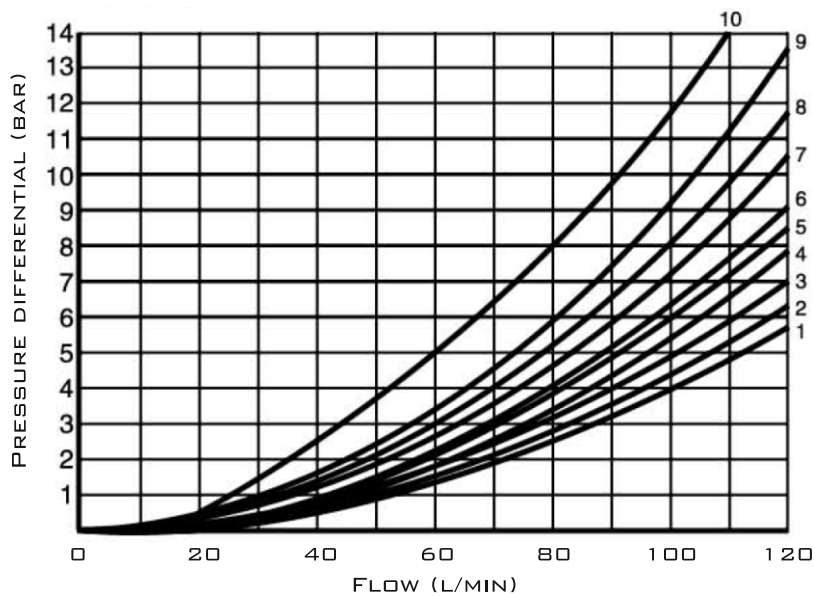


TECHNICAL DATA

SIZE		10
MAX. FLOW RATE (L/MIN)		120
OPERATING PRESSURE (MPA)	A, B, P PORTS	31.5
	T PORT	16
WEIGHT (KG) WITHOUT/WITH HANDLE	1 SOLENOID	4.6
	2 SOLENOIDS	6.4
VALVE BODY (MATERIAL)		CASTING PHOSPHATING SURFACE

CHARACTERISTIC CURVES

$\Delta P-Q$ CHARACTERISTIC CURVES



SPOOL SYMBOL	FLOW DIRECTION			
	P - A	P - B	A - T	B - T
A; B	3	3	-	-
C	3	3	4	5
D; Y	5	5	6	6
E	1	1	4	4
F	2	3	7	4
G	3	3	6	7
H	1	1	6	7
J	1	1	3	3
L	2	2	3	5
M	1	1	4	5
P	4	2	5	7
Q	1	2	1	3
R	3	6	4	-
T	3	3	6	7
U, V	2	2	3	3
W	2	2	4	5

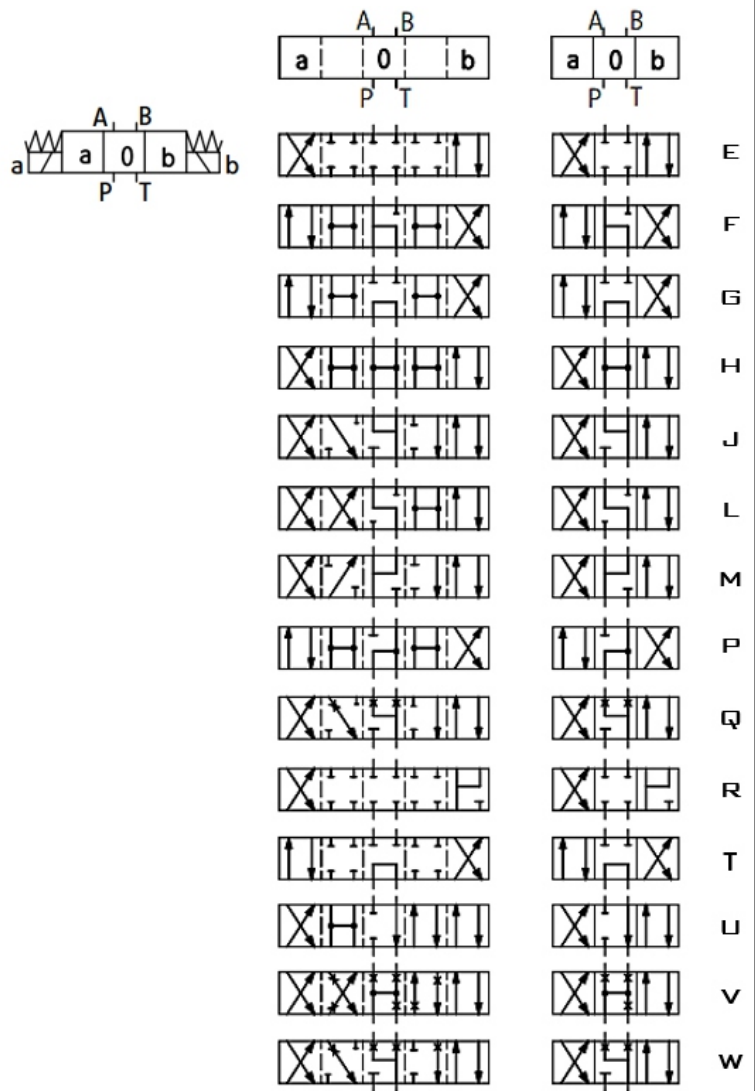
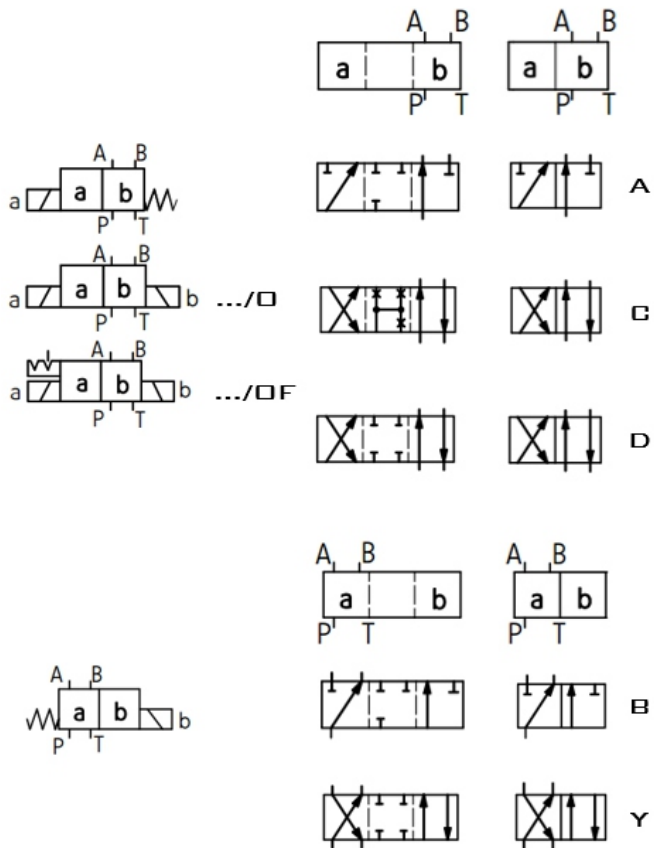
9 CURVE - SPOOL SYMBOL "R" IN SHIFTED POSITION B → A;
 3 CURVE - SPOOL SYMBOL "H" IN CENTRAL POSITION P → T;
 4 CURVE - SPOOL SYMBOL "F" IN CENTRAL POSITION P → A;
 9 CURVE - SPOOL SYMBOL "F" IN CENTRAL POSITION A → T,
 SPOOL SYMBOL "F", "G" AND "T" IN CENTRAL POSITION P → T;

5, 8, 10 CURVES - SPOOL SYMBOL "P" IN CENTRAL POSITION P → B, B → T AND P → T.

SPOOL SYMBOLS

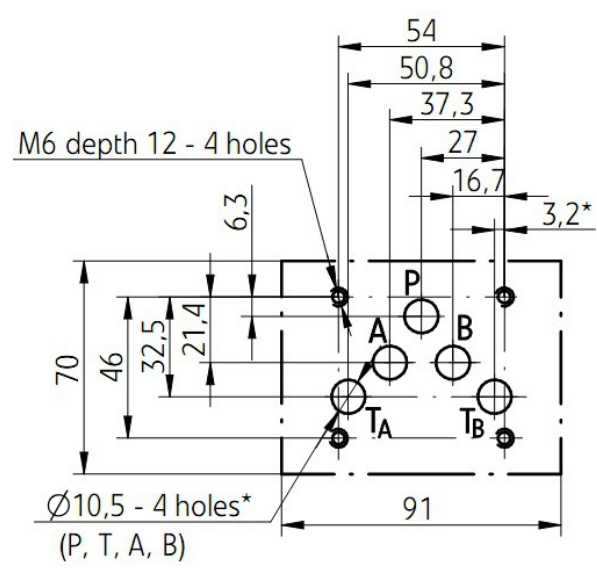
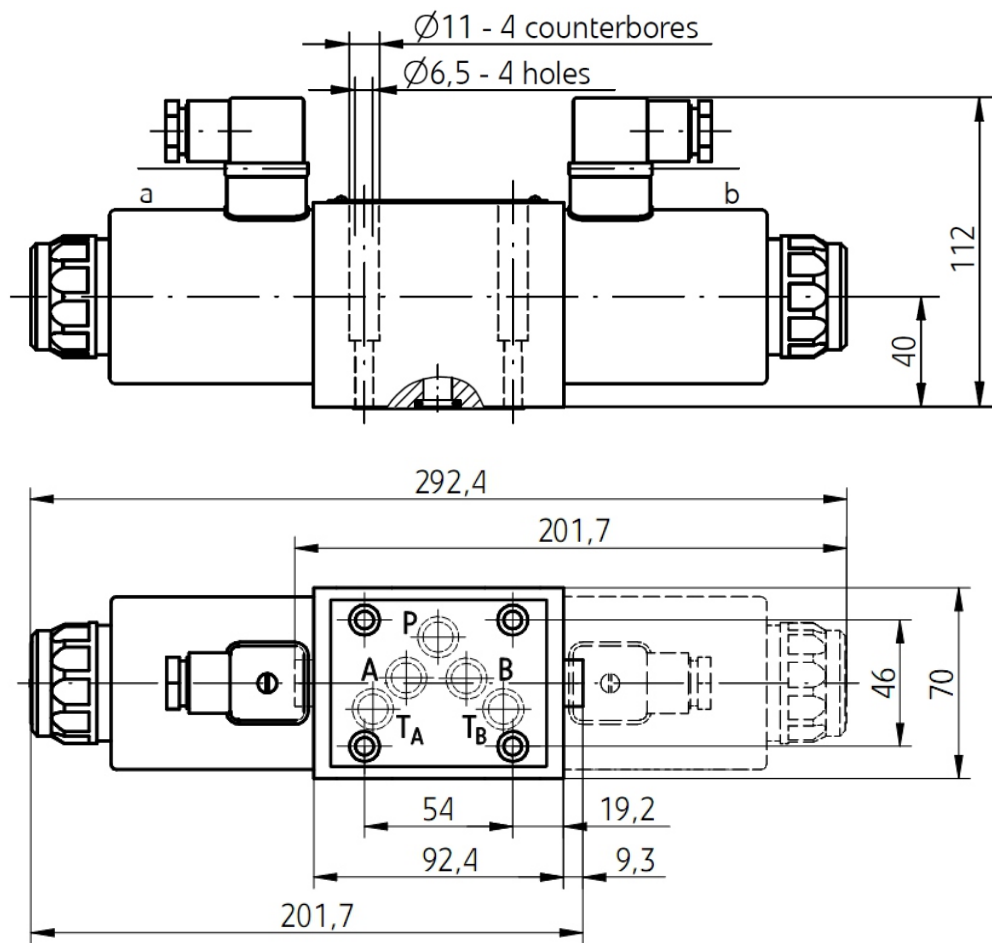
2-POSITION VALVES

3-POSITION VALVES



SEE ALSO:
WE6, WEH

SUBPLATE INSTALLATION DIMENSIONS



* - CONNECTION WITH 1 HOLE
T FROM PORT SIDE A OR B
IS SUFFICIENT - HOLES T_A
AND T_B ARE CONNECTED TO
THE PORT T IN THE HOUSING
OF DIRECTIONAL SPOOL VALVE

WE10

SOLENOID OPERATED
DIRECTIONAL CONTROL VALVES

DISTRIBUTORI
OLEODINAMICI



ORDER CODE

	WE	10				C														
--	----	----	--	--	--	---	--	--	--	--	--	--	--	--	--	--	--	--	--	--

3 = 3-WAY
4 = 4-WAY

10 = 10 SIZE

SPOOL TYPE

3X = 50-39 SERIES

NO CODE = WITH SPRING RETURN
O = WITHOUT SPRING RETURN
OF = WITHOUT SPRING RETURN
WITH DETENT

C = WET PIN SOLENOID WITH
REMOVABLE COIL

G12 = DC 12V

G24 = DC 24V

W220/W110 = 220/110V AC

W220R/W110R = 220/110V AC RECTIFIED

NO CODE = NBR SEALS
V = FKM SEALS

Z5L = SQUARE PLUG WITH LAMP
Z4 = SQUARE PLUG

NO CODE = WITHOUT THROTTLE INSERT
B0.8 = THROTTLE 0.8 MM
B1.0 = THROTTLE 1.0 MM
B1.2 = THROTTLE 1.2 MM

N9 = WITH CONCEALED HAND EMERGENCY
NO CODE = WITHOUT HAND EMERGENCY