



MOTORI IDRAULICI

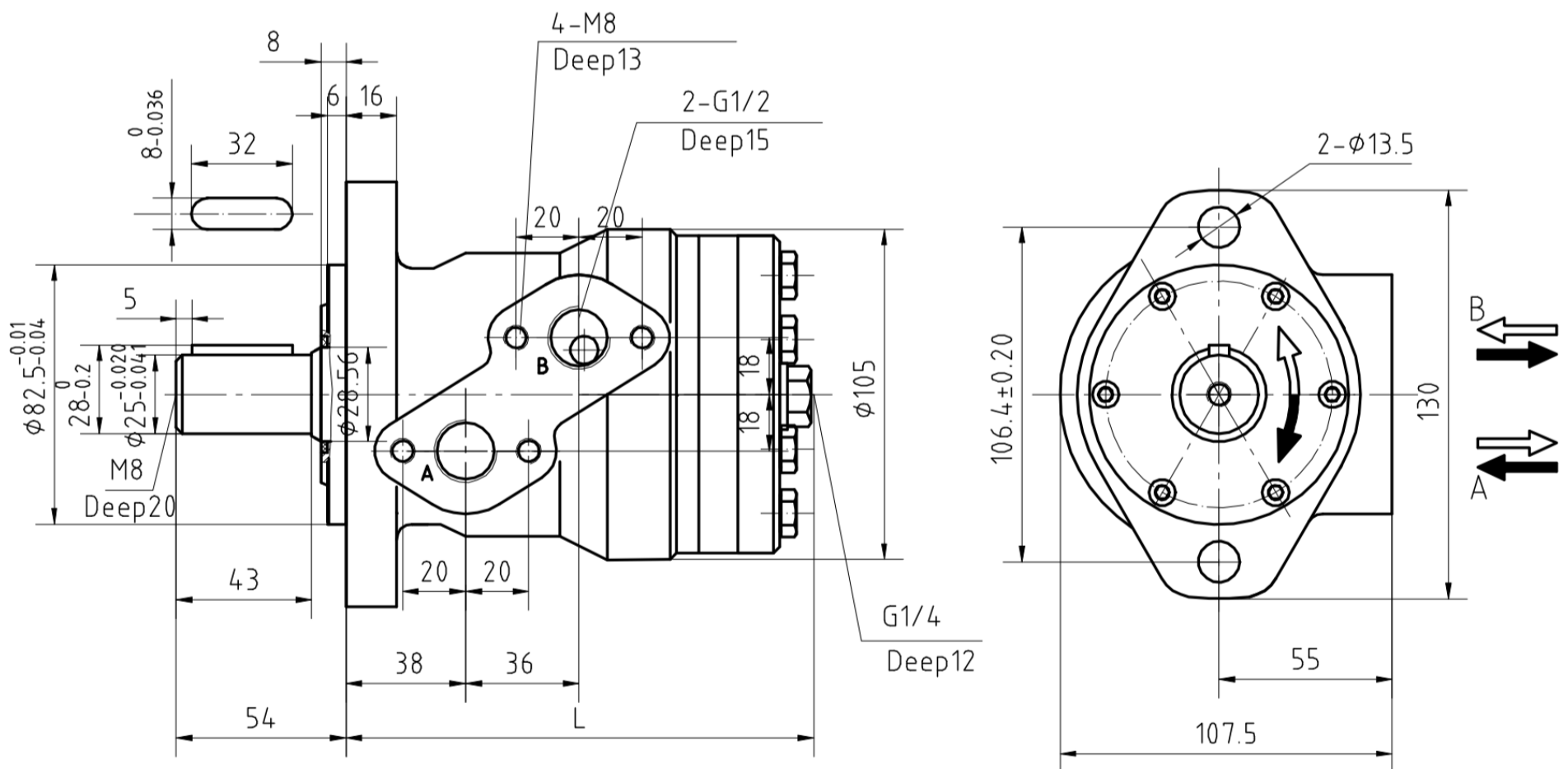
**BMR**

ORBIT HYDRAULIC MOTORS  
WITH SPOOL VALVE

**TECHNICAL DATA**

TYPE	50	80	100	125	160	200	250	315	400
DISPLACEMENT, $\text{cm}^3/\text{REV}$	51.7	80.5	100.5	126.3	160.8	200.9	252.6	321.5	401.9
MAX. CONTINUOUS PRESSURE DROP, BAR	140	140	140	140	140	140	110	90	70
MAX. CONTINUOUS TORQUE, NM	93	152	194	237	310	369	380	380	380
CONTINUOUS SPEED RANGE, $\text{MIN}^{-1}$	10-775	10-750	10-600	10-475	10-375	10-300	10-240	10-190	10-160
MAX. CONTINUOUS FLOW, L/MIN	40	60	60	60	60	60	60	60	60
MAX. CONTINUOUS OUTPUT POWER, KW	7	10	10	10	10	8	6	5	4
WEIGHT, KG	6.5	6.9	7.0	7.3	7.5	8.0	8.5	9.0	11
DIMENSION L, MM	142	147	150.5	155	161	168	177	189	203

**INSTALLATION DIMENSIONS**



**HYDRAULIC SCHEME**

