

Technical data

Air breathers & Filler plugs

Metal air breather filter Flow rate up to 2500 l/min

SA is a range of metal air breathers for protection of the tank against the solid contamination contained into the air.

They are directly fitted on the tank. The robust design allows the use of these filters in any heavy-duty application.

Available features:

- Male threaded connections up to 2 1/2", for a maximum flow rate of 2500 l/min
- Replaceable filter element
- Fine cellulose filtration, to get a good cleanliness level into the reservoir
- Polyester media is an option for heavy environmental conditions (high humidity, sand ...)

Common applications:

- Mobile machines (construction and agriculture machines)
- Industrial equipment

Flow rate Δp 0.02 bar

	Flow rate [l/min]	
	Filtration rating	L03
SA036	140	140
SA053	250	250
SA075	350	400
SA115	800	850
SA145	1800	1850
SA185	2300	2500

Materials

- Cover: Steel
- Connection: Anodized steel, Galvanized steel
- Filter element: Resin impregnated paper
- Screws: Galvanized steel
- Washer: Teflon
- Ring: Galvanized steel
- Seals: NBR

Temperature

From -25 °C to +100 °C

Weight

SA 036	0.08 kg
SA 053	0.15 kg
SA 075	0.26 kg
SA 115	0.40 kg
SA 145	0.59 kg
SA 185	1.22 kg



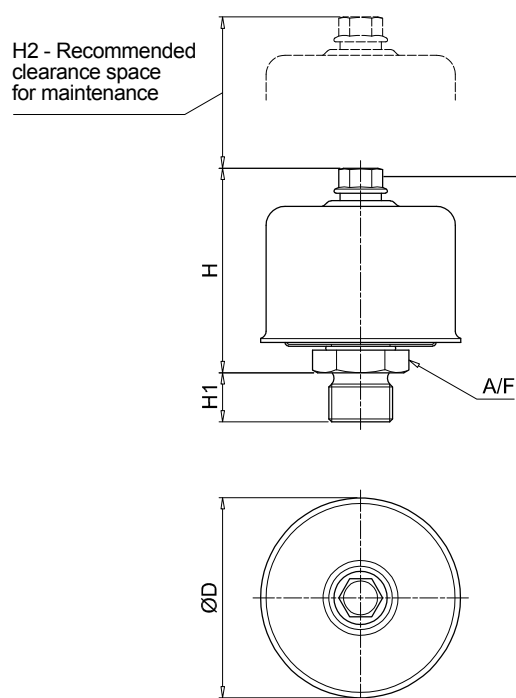
Designation & Ordering code

COMPLETE AIR BREATHER

Series and size						Configuration example : SA115 G1 L10 A P01				
SA036	SA053	SA075	SA115	SA145	SA185					
Connections										
	SA036	SA053	SA075	SA115	SA145	SA185				
G1	G 1/4"	G 1/4"	G 1/2"	G 1"	G 1 1/2"	G 2 1/2"				
G2	G 3/8"	G 3/8"	G 3/4"	-	-	-				
G3	G 1/2"	-	-	-	-	-				
G4	1/4" NPT	1/4" NPT	1/2" NPT	1" NPT	1 1/2" NPT	2 1/2" NPT				
G5	3/8" NPT	3/8" NPT	3/4" NPT	-	-	-				
G6	1/2" NPT	-	-	-	-	-				
Filtration rating										
L03	Resin impregnated paper		3 μ m							
L10	Resin impregnated paper		10 μ m							
S	Without filter element									
							Seals		Execution	
							A NBR		P01 MP Filtri standard	
									Pxx Customized	

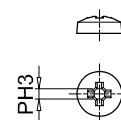
FILTER ELEMENT

Filter element series and size						Configuration example : A8 L10 P01		
A05	A5	A7	A8	A10	A11			
Filtration rating								
L03	Resin impregnated paper		3 μ m					
L10	Resin impregnated paper		10 μ m					
								Execution
								P01 MP Filtri standard
								Pxx Customized



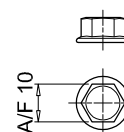
Type of bolt/nut

Phillips:
SA036



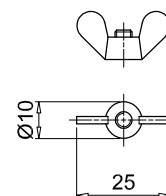
Hexagonal:

SA053
SA075
SA115
SA145



Wings:

SA185



Type	Connections	ØD [mm]	H [mm]	H1 [mm]	H2 [mm]	A/F [mm]
036	G1 ÷ G6	36	37	13	30	22
053	G1-G2-G4-G5	53	53	13	50	22
075	G1	75	69	13	60	27
	G2			17		32
	G4			15		27
	G5			20		32
115	G1 - G4	115	80	17	70	38
145	G1 - G4	145	115	25	100	55
185	G1 - G4	185	164	25	150	90