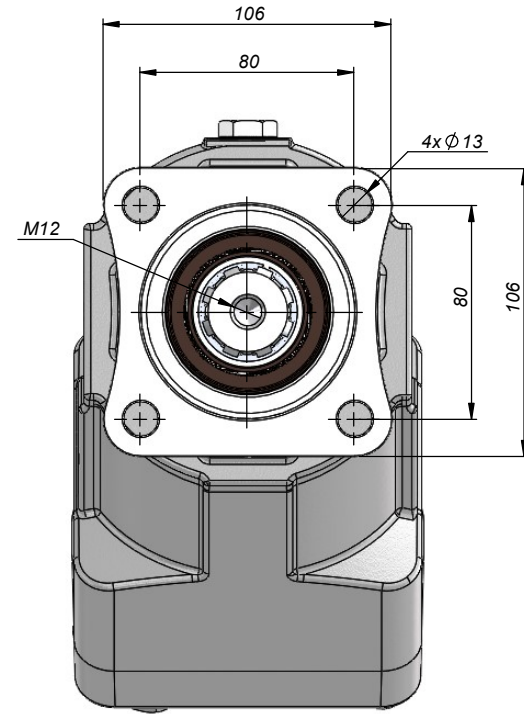
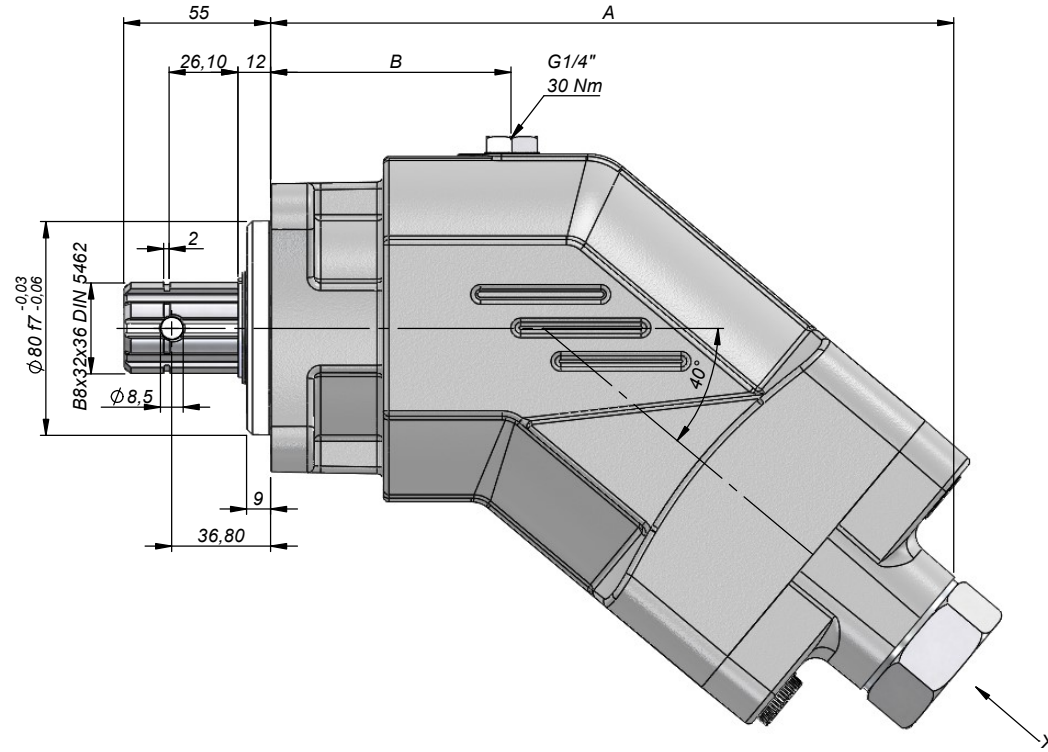
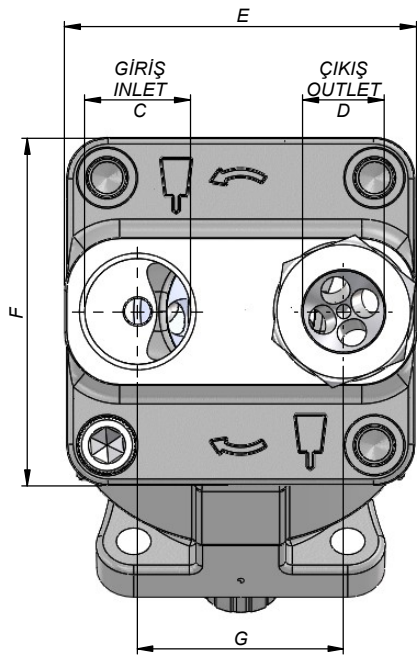


X GÖRÜNÜŞÜ

BENT AXIS PISTON PUMP



Tapaların Sıkma Torku
Tightening Torque Of The Plugs

G1/2"	55-65Nm
G3/4"	90-100Nm
G1"	135-160Nm
G1 1/4"	200-230Nm

Kod / Code	İletim Hacmi Displacement (cm ³ /rev)	Max. Sürekli Basınç Max. Continuous Pressure	Maks. Anlık Basınç Max. Peak pressure	Maks. Hız Max. speed (RPM)		A (mm)	B (mm)	C (mm)	D (mm)	E (mm)	F (mm)	G (mm)
				nom	max							
APA023SF111 APA023SF121	23	350	400	3050	4300	180	58	G3/4"	G1/2"	89	89	52
APA032SF111 APA032SF121	32			2750	3900							
APA045SF111 APA045SF121	45			2650	3800	210	78	G1"	G3/4"	108,70	108,70	59
APA056SF111 APA056SF121	56			2550	3700	218	80					
APA063SF111 APA063SF121	63			2200	3200			245	94	G1 1/4"	G1"	127
APA080SF111 APA080SF121	80			2150	3100	255	131,60					
APA107SF111 APA107SF121	107			2000	2800			1750	2500	131,60	130	77
APA125SF111 APA125SF121	125			250	300							

*(1) - Left- Sol
(2) - Right- Sağ

KAZEL
HYDRAULIC EQUIPMENTS