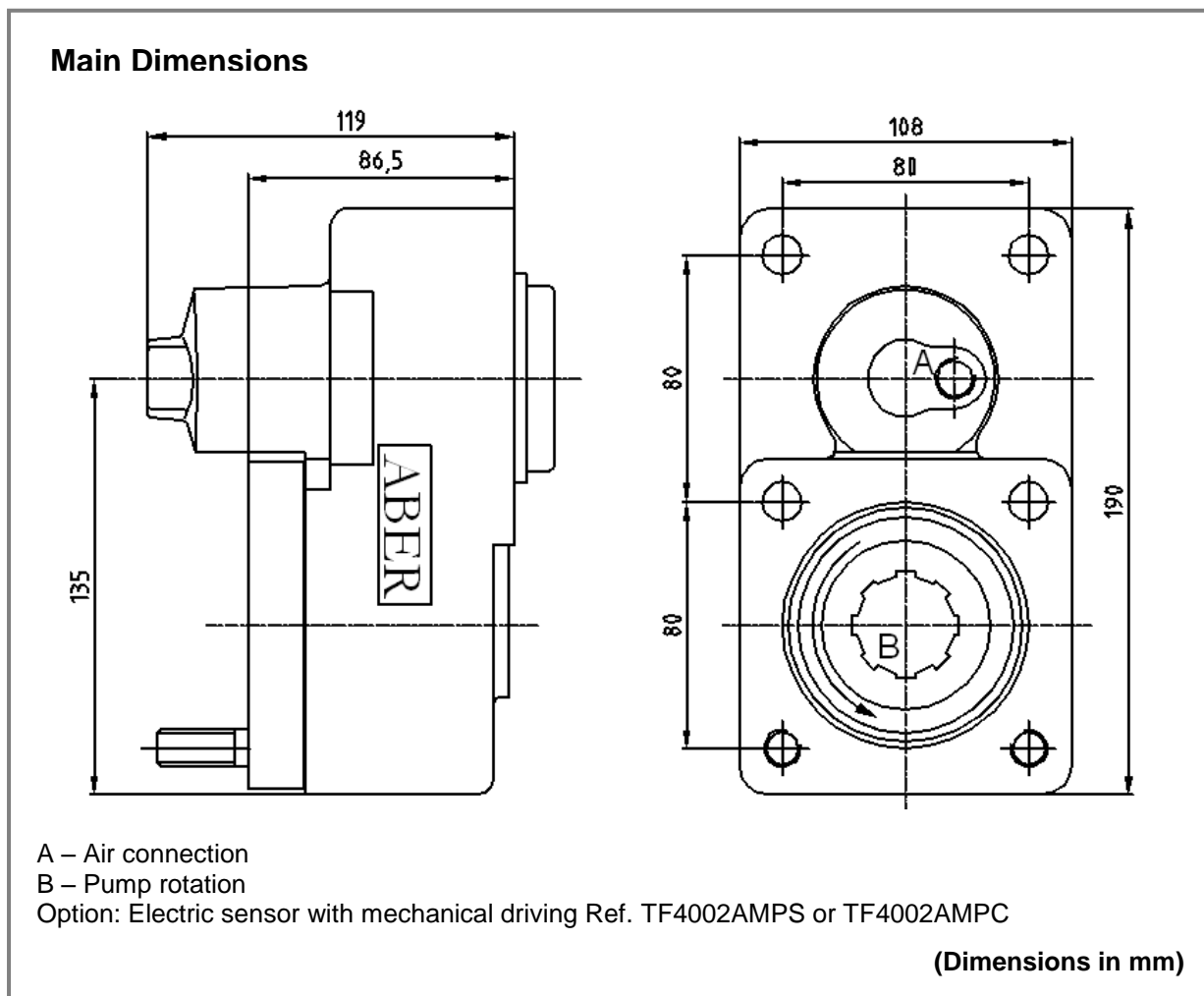




Power Take Offs		Ref. TF4002AMP
Relation 1 : 1,32		
ZF	S5-50 ; S5-90 ; S6-65 ; S6-66 ; S6-70 ; S6-75 ; S6-80 ; S6-90 ; 6S-800 ; 6S-1000	

To apply with Gear Pumps or with Piston Pumps



Main Data	
Continuous Torque (Nm)	300
Intermittent Torque (Nm)	420
Power (at 1000 rpm)	42 cv / 32 kW
Mounting Position	Rear
Pump Rotation	Right Hand
Weight (kg)	7,5
PTO internal ratio	1:1,32
Indicative ratio from motor to PTO's output	
S5-50 / 5.30	.- 1 : 0.861
/ 5.50	.- 1 : 0.811
/ 6.20	.- 1 : 0.719
/ 6.61	.- 1 : 0.674
/ 6.61+GV80 / 5.30	High: .- 1 : 0.842 Normal: .- 1 : 0.674
/ 8.02	.- 1 : 0.557
/ 8.02+GV80 / 6.20	High: .- 1 : 0.719 Normal: .- 1 : 0.557

ABER is constantly engaged in improving its products and, therefore, reserves itself the right to modify without any further notice the characteristics shown. The gear boxes are in constant change; therefore, ABER is not to be held responsible for any damage resulting from wrong application or application of outdated material.



ABER - Embraiaçgens e Comandos Hidráulicos - A. B. LDA
Rua Francisco de Almeida, Nº 30 – Vila Nova da Telha – 4470 MAIA - Portugal
Telephone: +351.22.9438070 Fax: +351.22.9420823 e-mail: aber@aber.pt <http://www.aber.pt>



Power Take Offs Relation 1 : 1,32		Ref. TF4002AMP
ZF	S5-50 ; S5-90 ; S6-65 ; S6-66 ; S6-70 ; S6-75 ; S6-80 ; S6-90 ; 6S-800 ; 6S-1000	

Engine to PTO ratio		
S5-90 GPA	- 1 : 1.174	
S6-65 / 6.37	- 1 : 0.860	
/ 6.70	- 1 : 0.820	
/ 7.00+GV70 / 7.67	High: - 1 : 0.602	Normal: - 1 : 0.482
/ 7.40	- 1 : 0.741	
/ 7.52	- 1 : 0.732	
/ 9.00	- 1 : 0.610	
/ 7.97+GV80 / 6.70	High: - 1 : 0.819	Normal: - 1 : 0.694
/ 9.00+GV80 / 6.70	High: - 1 : 0.819	Normal: - 1 : 0.611
/ 9.00+GV80 / 7.52	High: - 1 : 0.732	Normal: - 1 : 0.611
S6-66 / 7.36-1.0	- 1 : 0.690	
/ 9.06-1.0	- 1 : 0.550	
S6-70 / 6.80	- 1 : 0.679	
/ 6.80+GV70 / 5.71	High: - 1 : 0.808	Normal: - 1 : 0.679
/ 7.36	- 1 : 0.630	
/ 7.92	- 1 : 0.582	
/ 9.03	- 1 : 0.511	
/ 9.59	- 1 : 0.482	
S6-75 / 6.70+GV80 / 7.52	Normal: - 1 : 0.819	Low: - 1 : 0.732
S6-80 / 5.03	- 1 : 1.029	
/ 5.66	- 1 : 0.980	
/ 5.66+GV80 / 7.52	High: - 1 : 0.974	Normal: - 1 : 0.733
/ 6.10	- 1 : 0.908	
/ 6.70	- 1 : 0.820	
/ 6.70+GV80 / 5.30	High: - 1 : 1.039	Normal: - 1 : 0.819
/ 6.90	- 1 : 0.679	
/ 7.35	- 1 : 0.728	
/ 7.41	- 1 : 0.743	
/ 7.53	- 1 : 0.732	
/ 7.67	- 1 : 0.710	
/ 7.67+GV80 / 6.70	High: - 1 : 0.821	Normal: - 1 : 0.716
/ 7.90	- 1 : 0.693	
/ 9.00	- 1 : 0.610	
/ 9.00+GV80 / 5.30	High: - 1 : 1.039	Normal: - 1 : 0.611
/ 9.00+GV80 / 7.48	High: - 1 : 0.743	Normal: - 1 : 0.611
/ 9.00+GV80 / 7.52	High: - 1 : 0.732	Normal: - 1 : 0.611
S6-90 / 5.67	- 1 : 0.990	
/ 5.74	- 1 : 0.980	
/ 6.37	- 1 : 0.980	
/ 6.98	- 1 : 0.807	
/ 7.03	- 1 : 0.796	
/ 7.03+GV90 / 5.67	High: - 1 : 0.989	Normal: - 1 : 0.796
/ 7.03+GV90 / 5.74	High: - 1 : 0.970	Normal: - 1 : 0.790
/ 7.40	- 1 : 0.759	
/ 9.01	- 1 : 0.620	
/ 9.01+GV90 / 7.40	High: - 1 : 0.757	Normal: - 1 : 0.622

CTI TF4002AMP 1211- 3

ABER is constantly engaged in improving its products and, therefore, reserves itself the right to modify without any further notice the characteristics shown. The gear boxes are in constant change; therefore, ABER is not to be held responsible for any damage resulting from wrong application or application of outdated material.



ABER - Embraiaçgens e Comandos Hidráulicos - A. B. LDA
 Rua Francisco de Almeida, Nº 30 – Vila Nova da Telha – 4470 MAIA - Portugal
 Telephone: +351.22.9438070 Fax: +351.22.9420823 e-mail: aber@aber.pt <http://www.aber.pt>