



ORBITAL HYDRAULIC MOTOR

MODEL BM4U



WWW.OLEODINAMICAMOZIONI.IT

BM4U INTRODUCTION

THIS SERIES OF MOTOR, WITH ITS SHELL MADE OF DUCTILE CAST IRON OF ADEQUATE INTENSITY, CAN BE APPLIED TO SITUATIONS WITH LESS LOAD AND INTERVAL OPERATION, WIDELY TO AGRICULTURE, FORESTRY, PLASTICS, MACHINE TOOLS AND MINI MACHINES, SUCH AS THE MOLD HEIGHT ADJUSTMENT OF THE INJECTION MOLDING MACHINE, THE CLEANER, THE SAWMILL THE WORKTABLE ETC.



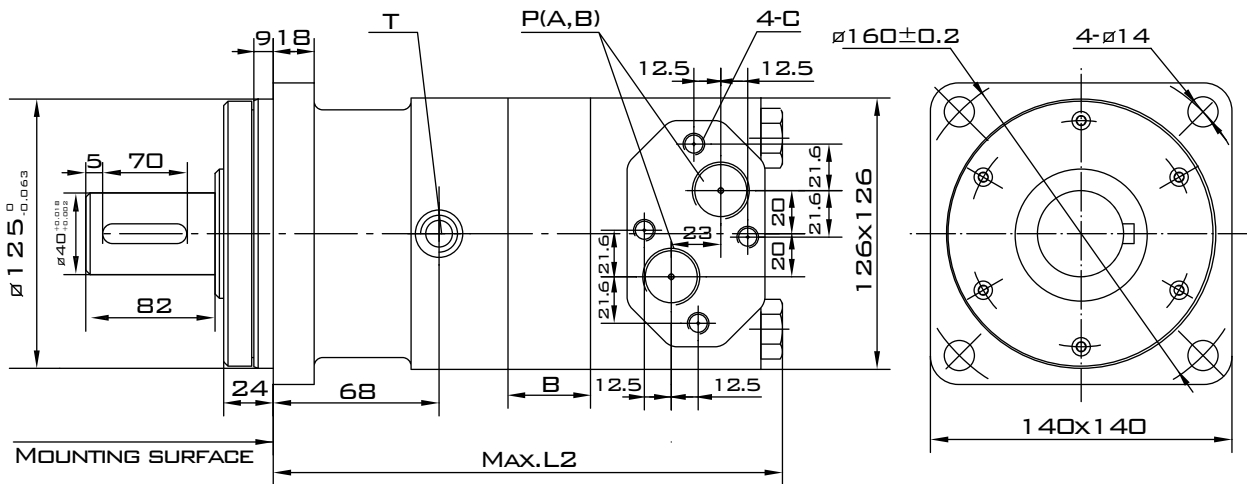
BM4U TECHNICAL DATA

TYPE		BM4U-160	BM4U-200	BM4U-250	BM4U320	BM4U-400	BM4U-500
DISPLACEMENT (CM ³ /R)		158.8	200.8	252.2	317.5	401.6	535.3
MAX.PRESSURE.DROP (MPA)	CONT.	20	20	20	20	18	16
	INT.	24	24	24	24	21	18
	PEAK.	28	28	28	28	24	21
MAX.TORQUE (N·M)	CONT.	450	561	710	902	1008	1121
	INT.	559	714	883	1143	1255	1377
	PEAK.	663	818	1021	1322	1431	1598
MAX.CONT.SPEED (R/MIN)		625	495	395	310	245	185
MAX.FLOW (CONT.) (L/MIN)		100	100	100	100	100	100
MAX.OUTPUT.POWER (CONT.) (KW)		20.1	25.2	25.2	25.2	22	21
WEIGHT (KG)		20.3	20.8	21.4	22.4	23	24



BM4U INSTALLATION

TYPE	BM4U-160	BM4U-200	BM4U-250	BM4U-320	BM4U-400	BM4U-500
L	217.5	222	227.5	234.5	243.5	262
B	12	16.5	22	29	38	56.5
L2	205.5	210	215.5	222.5	231.5	250



SQUARE FLANGE A4

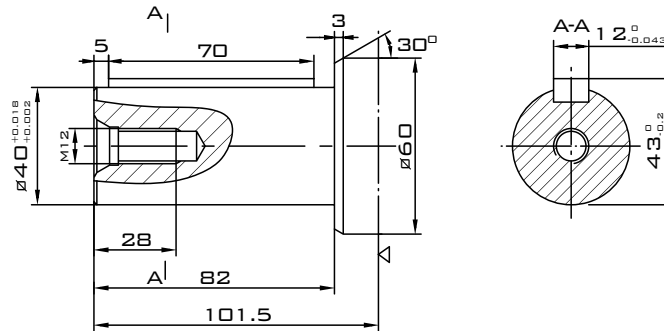
BM4U PORTS CODE

CODE	PORTS	P(A,B)(DEEP)	T (DEEP)
Y		G3/4 (15)	G1/4 (12)



SHAFT VERSION

P33: $\varnothing 40$ CYLINDRICAL SHAFT,
PARALLEL KEY 12X8X70



◁: MOTOR MOUNTING SURFACE

ORDER CODE

<p>BM4U - - - - - / - -</p>			
SERIES	BM4U	ROTATION DIRECTION	OMIT = STANDART L = OPPOSITE
DISPLACEMENT	160 200 250 320 400 500	SPECIAL FEATURES	OMIT = STANDART T7 = WITH DUSTPROOF RING
OUTPUT		CODE PORTS	PORTS(A,B)(DEEP) DRAIN PORT T(DEEP) Y = G3/4(15) G1/4(12)
P33 =	$\varnothing 40$ CYLINDRICAL	FLANGE	A = 4 - $\varnothing 14$ OVAL FLANGE PILOT $\varnothing 125$